

RECOMMENDED PCB LAYOUT
AS VIEWED FROM COMPONENT SIDE

Specification 规格:

Electrical 电气规格:

Voltage Rating 电压额定值: 125 V AC (RMS)
 Current Rating 电流额定值: 1.5 Amp
 Contact Resistance 接触电阻值: 30mΩ Max.
 Insulation Resistance 绝缘电阻值: 1000MΩ Min. @ 500 VDC
 Dielectric Strength 电介质强度: 1000 VAC RMS 60Hz, 1 Min.

Material 物料规格:

Housing Material 塑胶外壳: High Temp Nylon UL94V-0, Black
 Insert 插入: High Temp Nylon UL94V-0, Black
 Contact Material 端子材料: Phosphor Bronze 0.35mm Thickness
 Plating 电镀规格: Gold Plating over Nickel
 Operating Life 使用寿命: 750 Cycles Min.
 PCB Retention Force After Solder 焊接后保持力: 10 LBS Min.

Environmental 环境的:

Storage Temperature 储存温度: -40°C to +85°C
 Operation Temperature 使用温度: -40°C to +85°C
 IR Reflow Soldering Temperature 回流焊接温度: 255°C to 265°C, 5-10 seconds

Ordering Grid

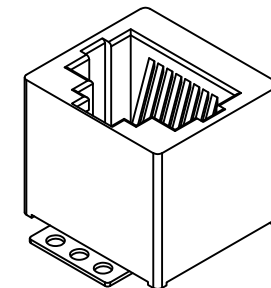
MJ3305 - 88 - X - X Request Samples and Quotation

No. of Positions/
Positions Loaded
88=8/8

Mylar Film - for pick and place

A = Without
B = With (Standard)

Contact Plating
2 = 6μ" Gold (Standard)
4 = 30μ" Gold

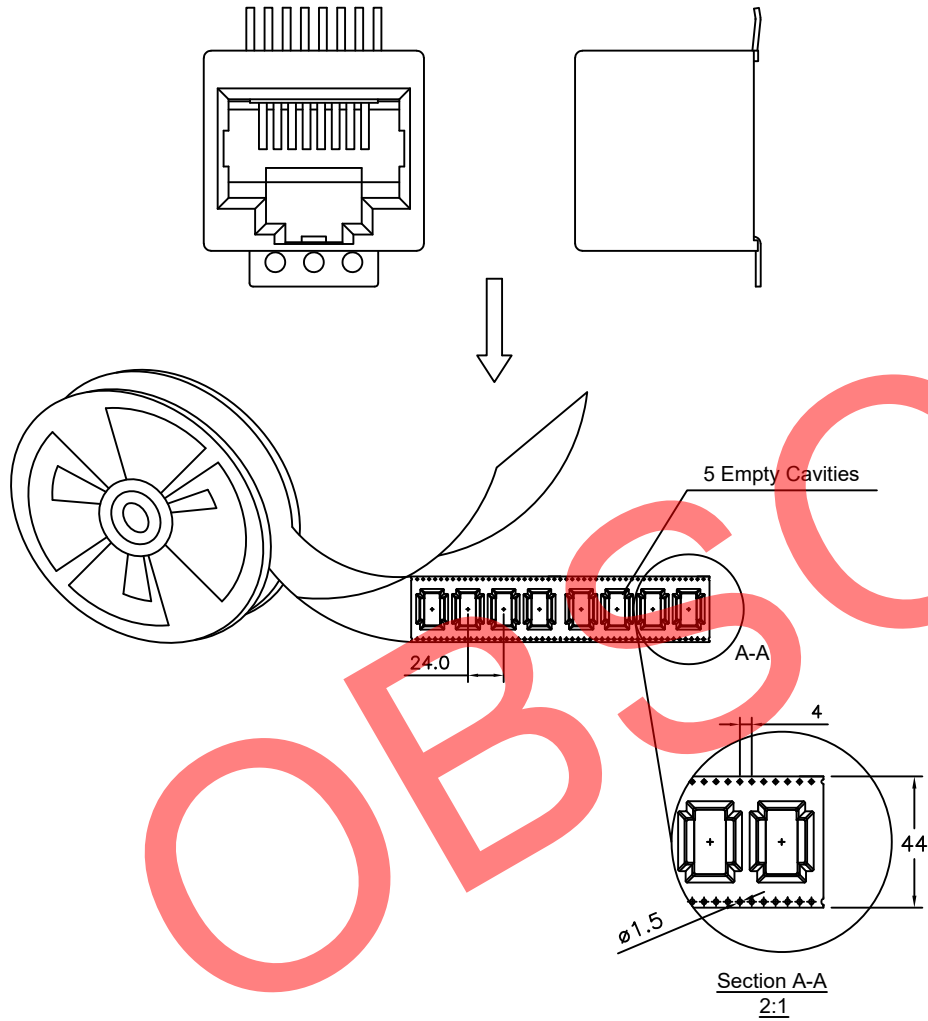


Part Number		Product Description			
MJ3305 - 8 Position		Modular Jack Connector, 8 Position, Category 3, Vertical SMT, Low Profile, With Solder Tab, Without PCB Peg			
Drawing Date		11th May 2010			
By	CC	Tolerances (Except as Noted)		Units:	
Detail	Obsolete	Length	Angle	Metric (mm)	
Revision	X	X.X ± 0.20	± 5°		
Date	15/08/22	X.XX ± 0.15			
		X.XXX ± 0.10	3rd Angle Projection		This drawing is confidential and copyright of Global Connector Technology, Ltd (GCT). This drawing must not be copied or disclosed without written consent. E & OE
				 www.gct.co	
				Not to Scale Drawn By PKN Sheet No. 1/2	

1. Packing Material 包材 - Tape Reel

Quantity 數量 - 1*150=150 PCS

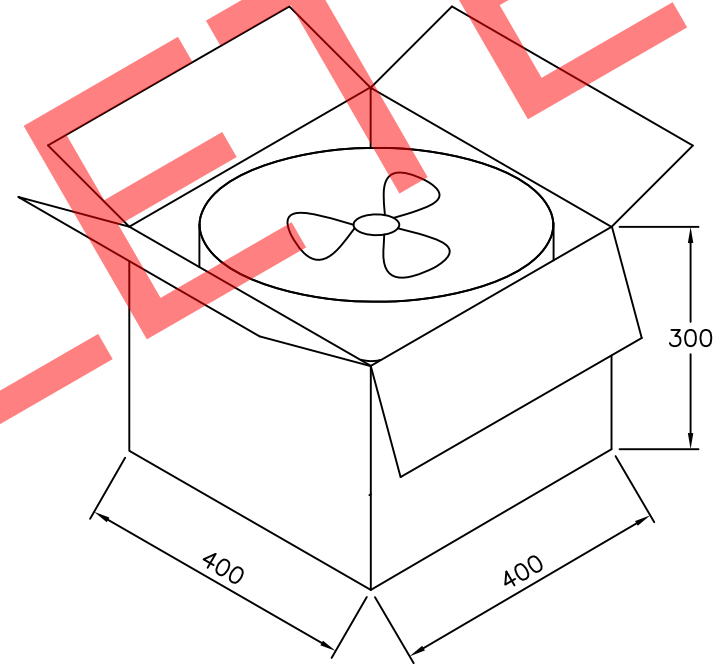
Tape Reel 卷帶 - Width 44 * Depth 15.7 * Pitch 24 = Total Length 4.1m
 Reel 卷盤 - ø380mm



2. Packing Material 包材 - Carton 1 PC

Quantity 數量 - 150*6=900 PCS

Part Number 零部件料号	Net Weight 淨重	Gross Weight 毛重	Q'TY 數量
MJ3305-88-X-X	7.00Kg	7.50Kg	900



Part Number MJ3305 - 8 Position		Product Description Modular Jack Connector, 8 Position, Category 3, Vertical SMT, Low Profile, With Solder Tab, Without PCB Peg		 www.gct.co
Drawing Date 11th May 2010				
By CC	Tolerances (Except as Noted) Length Angle	Units: Metric (mm)	 	
Detail Obsolete			This drawing is confidential and copyright of Global Connector Technology, Ltd (GCT). This drawing must not be copied or disclosed without written consent. E & OE	
Revision X				Not to Scale
Date 15/08/22				Drawn By PKN
				Sheet No. 2/2