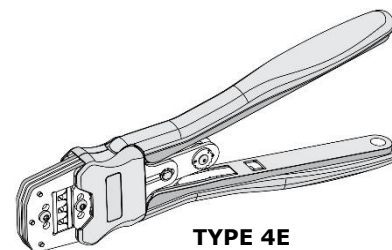


**Order Number
200218-7200**



Application Tooling Specification



FEATURES

- A full cycle ratcheting hand tool ensures complete crimps
- Ergonomic soft grip handles for comfortable crimping
- A precision user-friendly terminal locator wire stop holds terminals in the proper crimping position
- Right- and left-handed applications

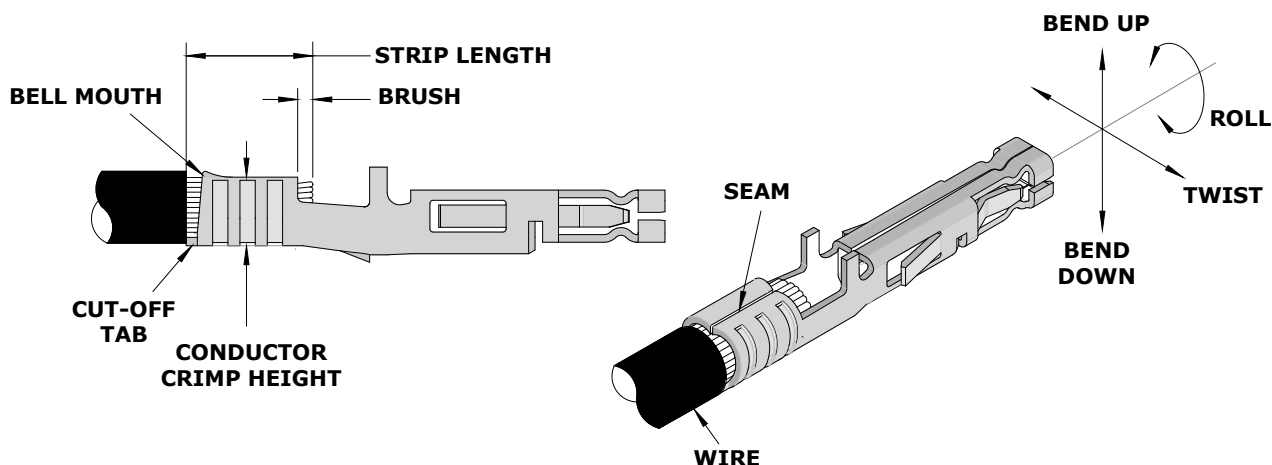
SCOPE

Products: Mega-Fit Female Crimp Terminals 12-16 AWG Wires.

Terminal Series No.	Terminal Order No.				Wire Size AWG	Insulation Diameter Maximum (1)		Strip Length	
	Loose Piece		Reel (2)			mm	In.	mm	In.
76823	76823-0422		76823-0322		12	4.10	0.16	5.50-6.00	0.22-0.24
	76823-0421		76823-0321		14				
					16				
172063	172063-0412	172063-1412	172063-0312	172063-1312	12	4.10	0.16	5.50-6.00	0.22-0.24
	172063-0411	172063-1411	172063-0311	172063-1311	14				
					16				

(1) Insulation diameter based on connector housing capacity. Insulation is not crimped on this terminal.
 (2) Customer to cut off terminal from reel: 0.50mm (.020") maximum cut-off tab.

DEFINITION OF TERMS



The above terminal drawing is a generic terminal representation. It is not an image of a terminal listed in the scope.

CONDITIONS

After crimping, the crimped terminal should measure as follows:

Terminal Series No.	Bell Mouth		Nose Bell Mouth		Cut-Off Tab Maximum		Conductor Brush	
	mm	In.	mm	In.	mm	In.	mm	In.
76823 172063	0.20-0.50	.008-.020	0.00-0.40	.000-.016	0.50	.020	0.10-0.76	.004-.030

After crimping, the crimp profiles should measure the following:

Terminal Series No.	Wire Size	Conductor Crimp				Pull Force Minimum		Profile		
		Height (Ref)		Width (Ref)		N	Lb.	C	B	A
	AWG	mm	In.	mm	In.					
76823	12	1.90-2.00	.075-.079	3.25	.128	156.0	35.0		X	
	14	1.50-1.60	.059-.063	2.55	.100	111.0	25.0			X
	16	1.45-1.55	.057-.061	2.55	.100	89.0	20.0	X		
172063	12	1.90-2.00	.075-.079	3.25	.128	156.0	35.0		X	
	14	1.50-1.60	.059-.063	2.55	.100	111.0	25.0			X
	16	1.45-1.55	.057-.061	2.55	.100	89.0	20.0	X		

Tool Qualification Notes

- (Ref) means that the dimension provided is approximate because of the wide range of wires, conductor stranding, insulation diameter and insulation hardness.
- An occasional conductor crimp height measurement should be performed. It must lie between the minimum and maximum crimp height specification.

Notes

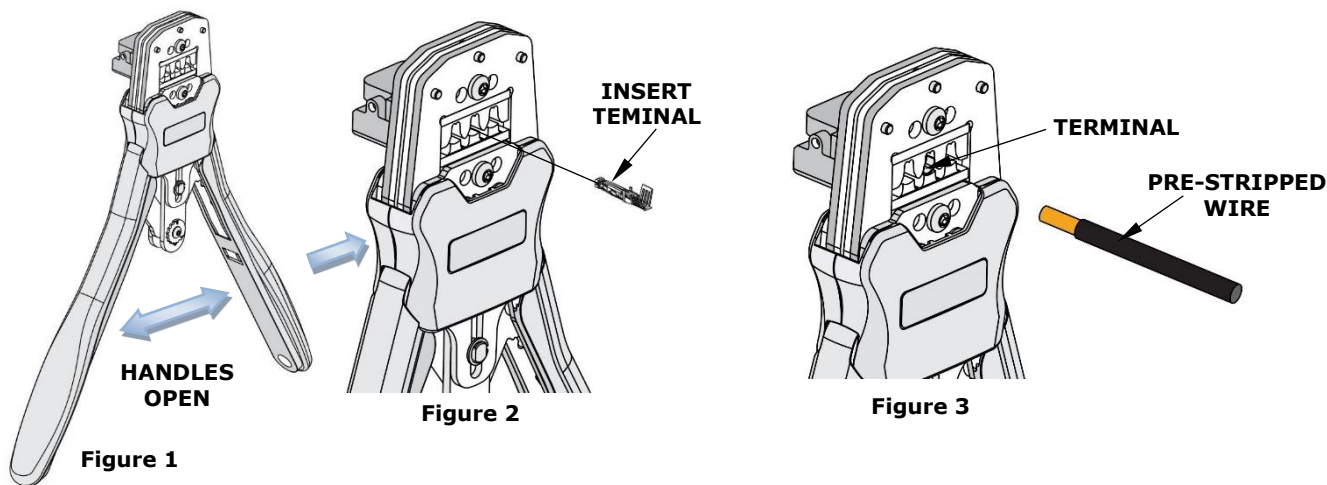
- This tool should only be used for the terminals and wire gauges specified on this sheet.
- Variations in tools, terminals, wire stranding and insulation types may affect crimp height.
- This tool is intended for AWG conductor sizes.
- Molex does not repair hand tools. See warranty on page 6. The replacement parts listed are the only parts available for repair. If the handles or crimp tooling become damaged or worn, a new tool must be purchased.
- Conductor crimp height should be used as the final criterion for an acceptable crimp. Refer to Molex Quality Crimping Handbook 63800-0029 for additional information on crimping and crimp testing.
- Molex does not certify hand crimp tools.

OPERATION

Open the tool by squeezing the handles together. At the end of the closing stroke, the ratchet mechanism will release the handles and the hand tool will spring open. See Figure 1.

Crimping Terminals

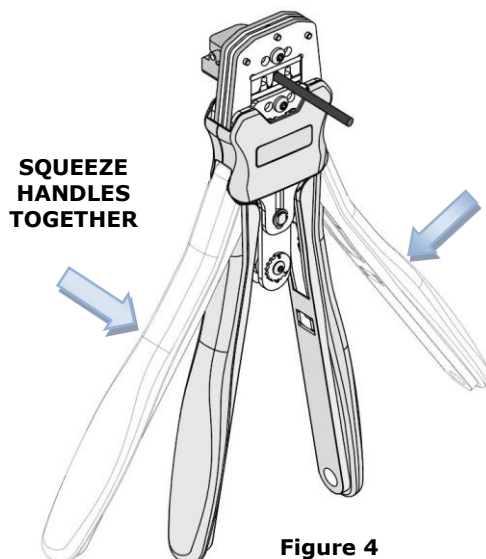
1. Select the desired terminal listed in the preceding charts.
2. Squeeze the back of the locator to raise the wire stop before inserting the terminal into the hand tool. See Figure 2.
3. With the locator open, load the terminal into the proper nest opening marked with the wire gauge on the hand tool. See Figure 2.
4. Next, release the locator, allowing the wire stop to return to the crimping position.
5. Insert the properly stripped wire through the terminal and against the wire stop. See Figure 3.



6. Crimp the terminal by squeezing the tool handles until the ratchet mechanism cycle has been completed. Release the handles to open the jaws. See Figure 4.

Note: The tamper-proof ratchet action will not release the tool until it has been fully closed.

7. Squeeze the locator lever to raise the wire stop, and remove the crimped terminal from the locator by lifting up and then pulling the wire out.
8. Visually inspect the crimped terminal for proper crimp location.



LOCATOR REPLACEMENT

See the parts list on the last page of this document for the proper locator order number. Follow the steps below to replace the locator:

1. Open the crimp hand tool and rotate the tool so that its face is pointing down and the locator is facing up.
2. Remove the tightening lock nut.
3. Remove the locator assembly from the frame head.
4. To reinstall the new locator, make sure the hand tool is in the open position.
5. Replace the locator assembly into the frame head.
6. Reinstall the tightening lock nut.

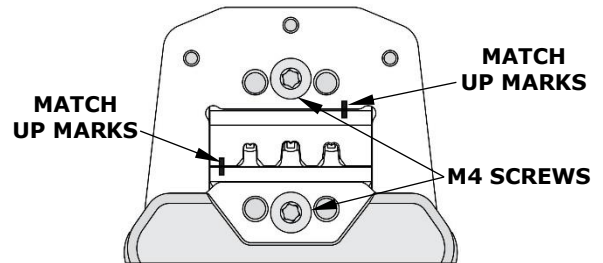


Figure 5

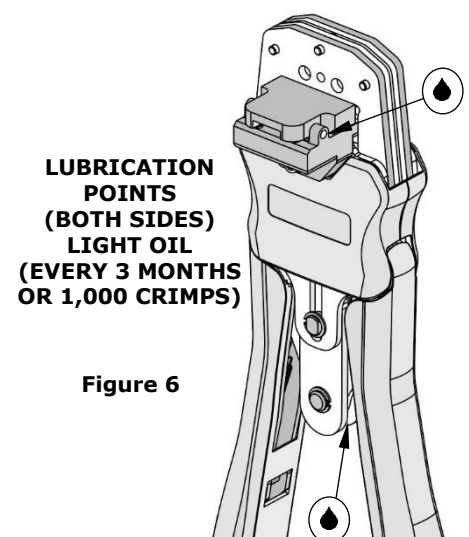
Remove and Install Tooling

1. Make sure the tool is in open position before removing or install tooling.
2. The locator must be removed before removing or installing tooling.
3. Remove the M4 screw that holds the upper tooling.
4. Remove or install upper tooling through the back side of the tool frame.
5. Install the M4 screw. Make sure the small markings on the front of the hand tool frame match up. See Figure 5.
6. To replace the lower tooling, follow steps 3–5. You must remove or install the lower tooling through the front side of the tool frame. Be sure the small markings on the lower tooling line up with upper tooling.
7. Slowly close the tool handles to align the upper and lower tooling. Tighten the M4 screws and continue squeezing the tool handles until the hand tool swings open.
8. Reinstall the locator by following the instructions in the locator replacement section.

MAINTENANCE

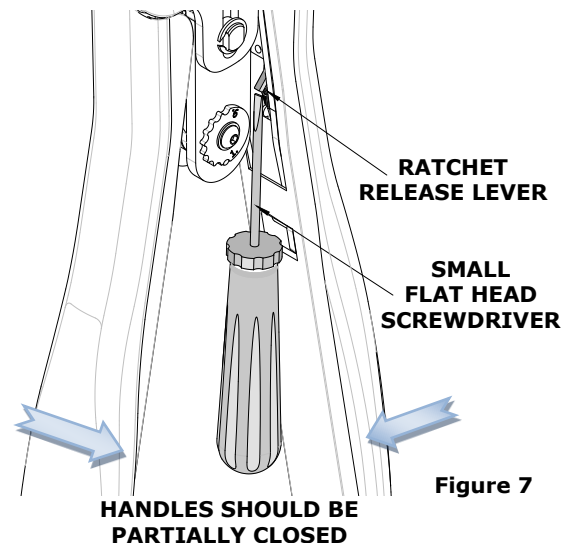
It is recommended that each operator of the tool be made aware of and responsible for the following maintenance steps: See Figure 6.

1. Unsnap the two snap-on plastic covers (front and back).
2. Remove dust, moisture and other contaminants with a clean brush or a soft, lint-free cloth.
3. Do not use any abrasive materials that could damage the tool.
4. Make certain all pins, pivot points and bearing surfaces are protected with a thin coat of high-quality machine oil. Do not oil excessively. The tool was engineered for durability, but like any other equipment, it needs cleaning and lubrication for a maximum service life of trouble-free crimping. Light oil such as 30 weight automotive oil used at the oil points every 1,000 crimps or 3 months will significantly enhance the tool life.
5. Wipe excess oil from the hand tool, particularly from the crimping area. Oil transferred from the crimping area onto certain terminations may affect the electrical characteristics of an application.
6. When the tool is not in use, keep the handles closed to prevent objects from becoming lodged in the crimping dies, and store the tool in a clean, dry area.



Miscrimps or Jams

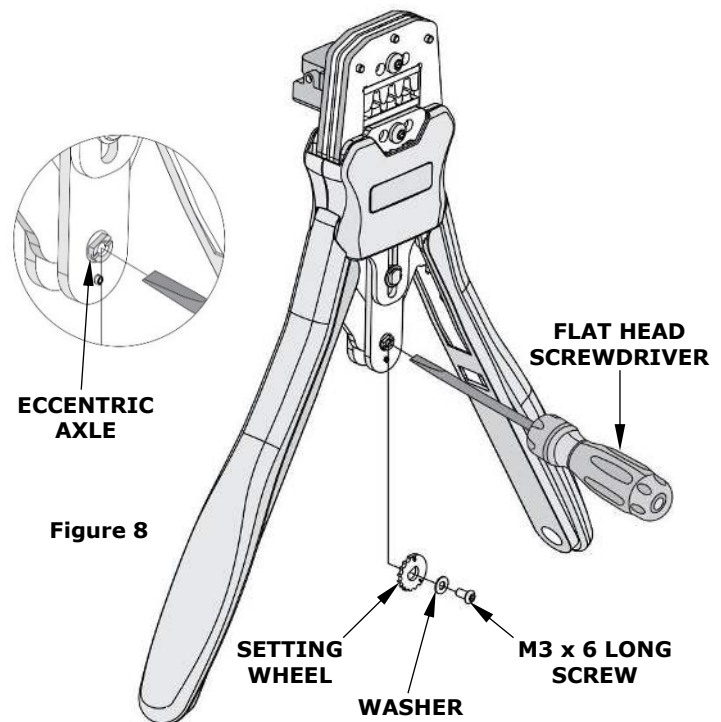
Should this tool ever become stuck or jammed in a partially closed position, **Do Not force the handles open or closed.** The tool will open easily by pressing up on the ratchet release lever in the movable handle. See Figure 7.



HOW TO ADJUST TOOL PRELOAD (SEE FIGURE 8)

This hand tool is factory preset to 210 N (47 pounds) preload. It may be necessary over the life of the tool to adjust tool handle preload force. Listed below are the steps required to adjust the crimping force of the hand tool to obtain proper crimp conditions:

1. Open the tool by squeezing the handles together until the ratchet mechanism releases. The hand tool handles will spring open.
2. Remove the M3 screw and the M3 washer.
3. Lift the setting wheel off the axle. Use a small flat head screwdriver to turn the eccentric axle counterclockwise (CCW) to increase the handle force.
4. To decrease the handle force, turn the eccentric axle clockwise (CW).
5. Line up the setting wheel matching the flat side with the flat edge of the axle so the wheel notch will drop onto the roll pin. The numbers will display higher.
6. Re-install the M3 washer and M3 screw.
7. Re-crimp a new sample and check the crimp specifications or conduct a pull test after tool handle preload force is adjusted.



Warranty

This tool is for electrical terminal crimping purposes only. This tool is made of the best quality materials. All vital components are long-life tested. All tools are warranted to be free of manufacturing defects for a period of 30 days. Should such a defect occur, Molex will repair or exchange the tool free of charge. This repair or exchange will not be applicable to altered, misused or damaged tools. This tool is designed for hand use only. Any clamping, fixturing or use of handle extensions voids this warranty.

CAUTION: Molex crimp specifications are valid only when used with Molex terminals and tooling.

CAUTIONS

1. Manually powered hand tools are intended for low-volume use or field repair. This tool is **NOT** intended for production use. Repetitive use of this tool should be avoided.
2. Insulated rubber handles are not protection against electrical shock.
3. Wear eye protection at all times.
4. Use only the Molex terminals specified for crimping with this tool.

CERTIFICATION

Molex does not certify or re-certify hand tools but rather supplies the following guidelines for customers to re-certify hand tools:

- This tool is qualified to pull force only. See the Molex website for the Quality Crimp Handbook for more information on pull testing.
- If the tool does not meet minimum pull force values, handle preload should be increased, and the pull test should be rerun (See How to Adjust Preload).

When the hand tool is no longer capable of achieving minimum pull force, it should be taken out of service and replaced.

NOTES

1. This tool should only be used for the terminals and wire gauges specified on this sheet.
2. This tool is not adjustable. Variations in tools, terminals, wire stranding and insulation types may affect crimp height.
3. This tool is intended for standard conductor sizes. It may not give a good insulation crimp support for all insulation sizes.
4. Molex does not repair hand tools (see warranty above). The replacement parts listed are the only parts available for repair. If the handles or crimp tooling are damaged or worn, a new tool must be purchased.
5. Pull force should be used as the final criterion for an acceptable crimp. Pull force is measured with no influence from the insulation crimp. Refer to Molex Quality Crimping Handbook 63800-0029 for additional information on crimping and crimp testing.
6. Molex does not certify crimp hand tools.
7. Handheld crimping tools are intended for low-volume use, prototyping or repair requirements only.

CAUTION: Repetitive use of this tool should be avoided.

PARTS LIST

Item Number	Order Number	Description	Quantity
REF	200218-7200	Hand Crimp Tool	Figure 9
1	200218-7275	Locator Assembly	1
2	63810-0105	Spring, Ratchet	1

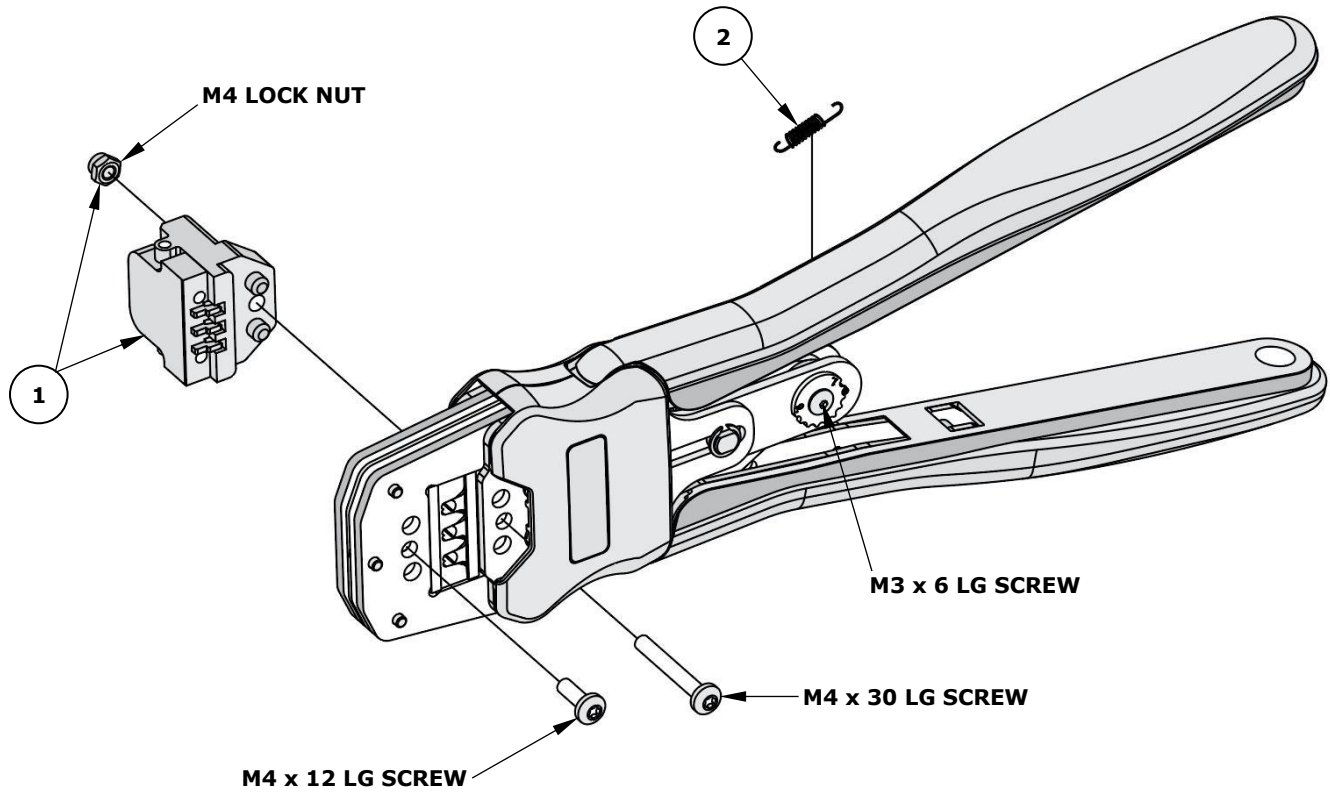


Figure 9

Application Tooling Support

Phone: (402) 458-TOOL (8665)
E-Mail: applicationtooling@molex.com
Website: www.molex.com/applicationtooling

Molex is a registered trademark of Molex, LLC in the United States of America and may be registered in other countries; all other trademarks listed herein belong to their respective owners.