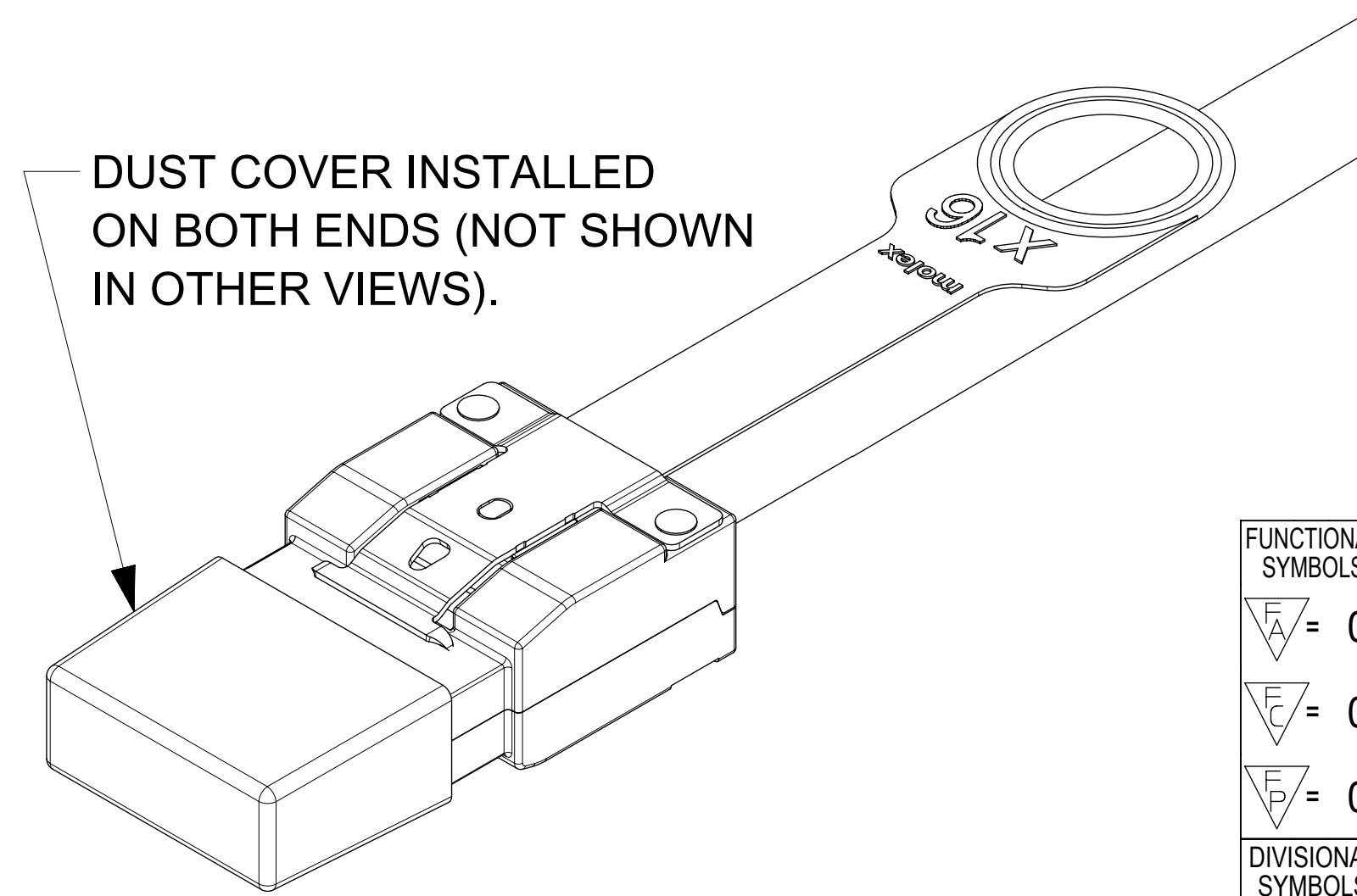


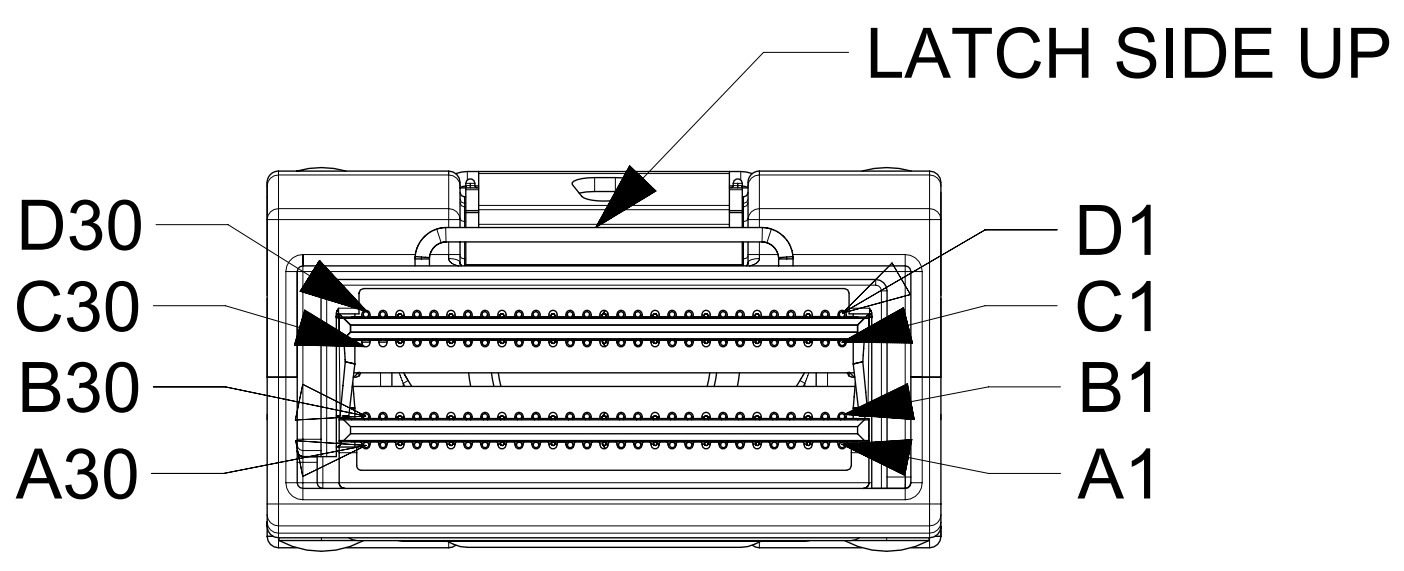
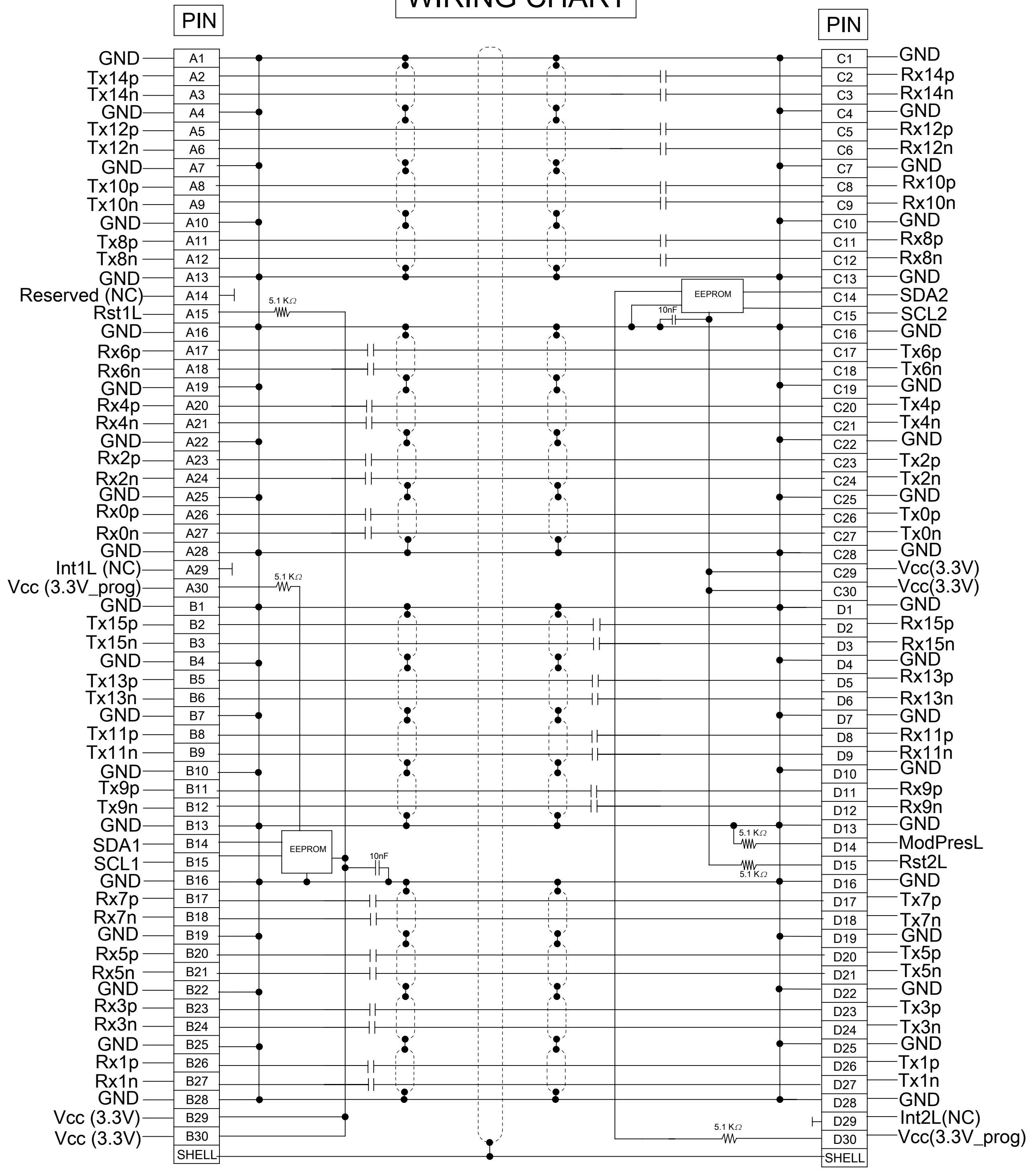
MOLEX PART NUMBER	LENGTH (M)	TOLERANCE (M)	DATA RATE (Gbps)	AWG	IMPEDANCE (Ohms)
2010691000	0.5	± 0.05	25	30	90
2010691001	1.0	± 0.05	25	30	90
2010691002	1.5	± 0.08	25	30	90
2010691003	2.0	± 0.08	25	30	90
2010691004	2.5	± 0.08	25	30	90



- NOTES:
- MATERIALS:  
 BACKSHELLS - ZINC DIE CAST WITH BRIGHT NICKEL PLATING  
 LATCH - STAINLESS STEEL  
 PULL - NYLON  
 RIVETS - STAINLESS STEEL
  - PLUG MATES TO CONNECTOR SERIES 173359, CDFP STYLE 1 KEY.
  - RoHS COMPLIANT, NO EXEMPTIONS.
  - P/N LABELS REQUIRED ON BOTH ENDS FOR CABLES OVER 1M.
  - EPROM MAP AVAILABLE UPON REQUEST.

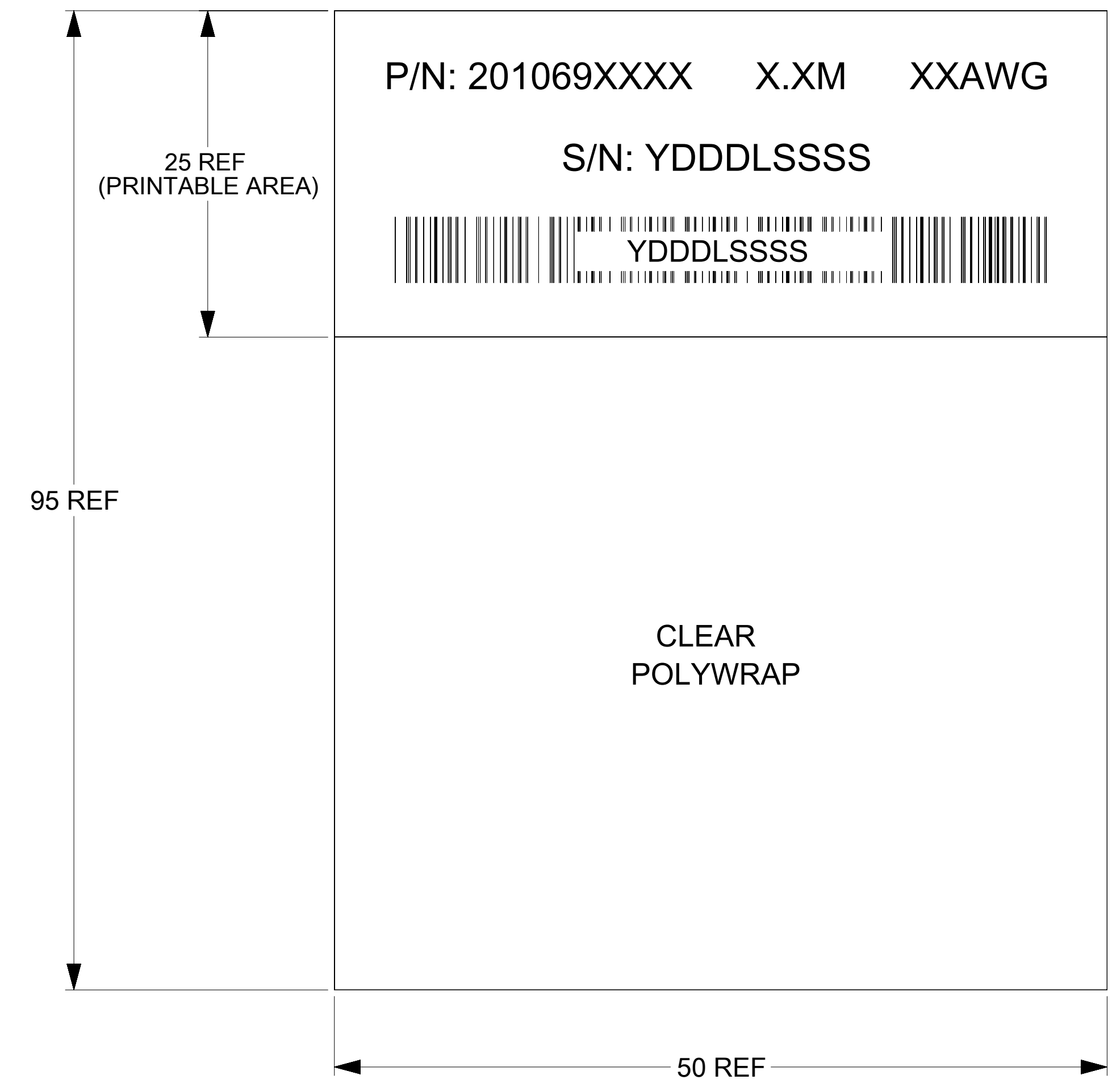
FUNCTIONAL SYMBOLS $\nabla_A = 0$ $\nabla_C = 0$ $\nabla_P = 0$ DIVISIONAL SYMBOLS 4 PLACES ± 3 PLACES ± 2 PLACES ± 1 PLACE ± 0 PLACES ±	THIS DRAWING CONTAINS INFORMATION THAT IS PROPRIETARY TO MOLEX ELECTRONIC TECHNOLOGIES, LLC AND SHOULD NOT BE USED WITHOUT WRITTEN PERMISSION		CURRENT REV DESC: CHANGED WIRING CHART STYLE IN SHT 2		
	DIMENSION UNITS: mm	SCALE: 2:1	EC NO: 643177		
	GENERAL TOLERANCES (UNLESS SPECIFIED)		DRWN: JJACKSON02	2018/08/22	
	ANGULAR TOL ± °		CHK'D: SKAMATHN	2020/08/11	
DRAFT WHERE APPLICABLE MUST REMAIN WITHIN DIMENSIONS		THIRD ANGLE PROJECTION	DRAWING: D-SIZE	SERIES: 201069	DOCUMENT NUMBER: 2010691000
					DOC TYPE: PSD
					DOC PART: 000
					REVISION: F
					MATERIAL NUMBER: SEE TABLE
					CUSTOMER: GENERAL MARKET
					SHEET NUMBER: 1 OF 2

# WIRING CHART



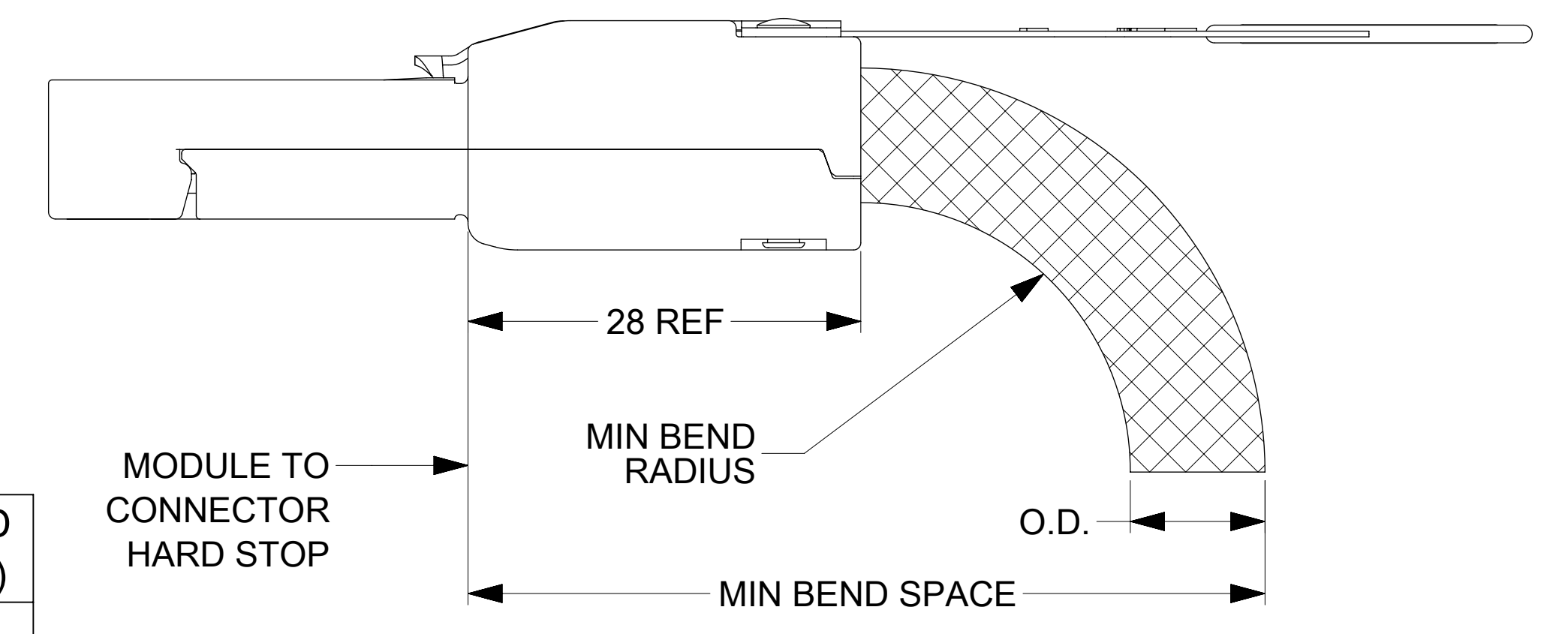
(VIEWED FROM MATING SIDE OF PLUG)

# CABLE LABEL DETAIL



- LABEL NOTES:
- X.XM-LENGTH (EXAMPLE: 1.0M, 3.0M, 5.0M, ETC.)  
XXAWG-WIRE GAUGE (EXAMPLE: 30AWG)
  - BARCODE MUST MATCH PRINTED SERIAL NUMBER (BARCODE CODE 39)  
SERIAL NUMBER YDDDLSSSS  
Y-YEAR, THE LAST DIGIT OF THE YEAR  
DDD-DAY OF THE YEAR  
L-MANUFACTURING LOCATION  
1=USA  
2=MEXICO  
3=CHINA  
SSSS-SERIAL NUMBER (0001-9999)
  - LABEL FONT-ZEBRA FONT 0
  - SINGLE SPACE AFTER COLONS

(NOT TO SCALE)



AWG	O.D. (mm)	MINIMUM BEND RADIUS (mm)	MINIMUM BEND SPACE (mm)
30	9.5	47.5	85

FUNCTIONAL SYMBOLS FA = 0 FC = 0 FD = 0	THIS DRAWING CONTAINS INFORMATION THAT IS PROPRIETARY TO MOLEX ELECTRONIC TECHNOLOGIES, LLC AND SHOULD NOT BE USED WITHOUT WRITTEN PERMISSION		CURRENT REV DESC: CHANGED WIRING CHART STYLE IN SHT 2	
	DIMENSION UNITS mm	SCALE 1:1		
DIVISIONAL SYMBOLS	GENERAL TOLERANCES (UNLESS SPECIFIED)		EC NO: 643177	
	ANGULAR TOL	± °	DRWN: JJACKSON02	2018/08/22
	4 PLACES	±	CHK'D: SKAMATHN	2020/08/11
	3 PLACES	±	APPR: KNAGANNA	2020/08/12
DRAFT WHERE APPLICABLE MUST REMAIN WITHIN DIMENSIONS		THIRD ANGLE PROJECTION	DRAWING	SERIES
			D-SIZE	201069
DOCUMENT NUMBER		DOC TYPE	DOC PART	REVISION
2010691000		PSD	000	F
MATERIAL NUMBER		CUSTOMER	SHEET NUMBER	
SEE TABLE		GENERAL MARKET	2 OF 2	