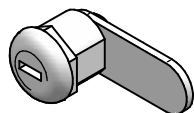
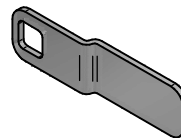


PARTS LIST

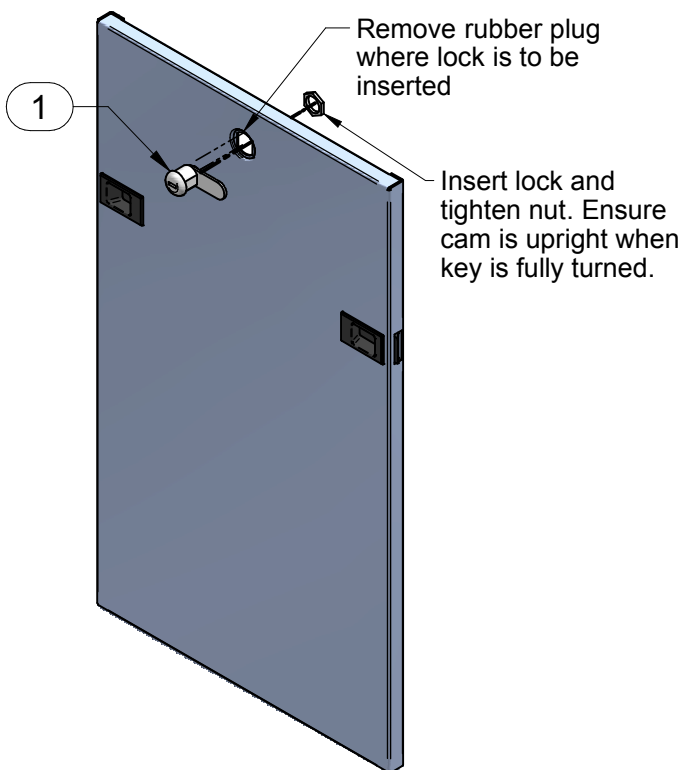


ITEM 1
1/4 TURN LOCK
QTY 2

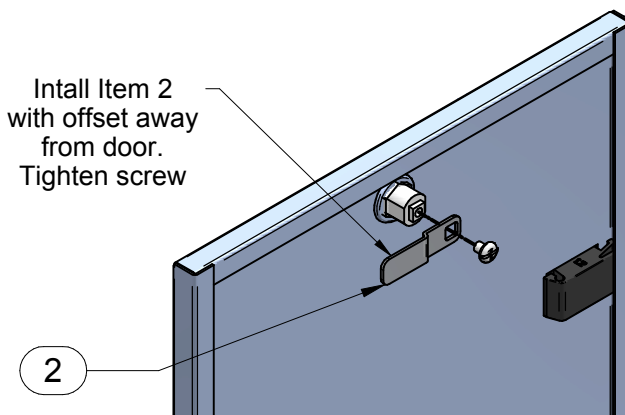
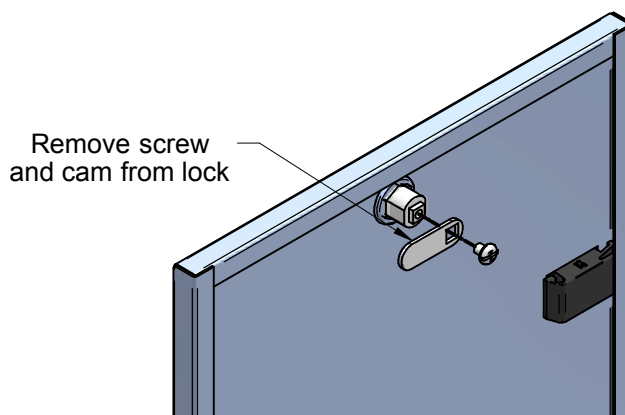


ITEM 2
OFFSET CAM
QTY 2

STEP 1: INSTALLING LOCK



INSTALLING OFFSET CAM (Item 2)



****NOTE****

If lock does not work when door is installed, switch lock cam with Item 2

TOOL BOX



Adjustable Wrench



Phillips Screw Driver

