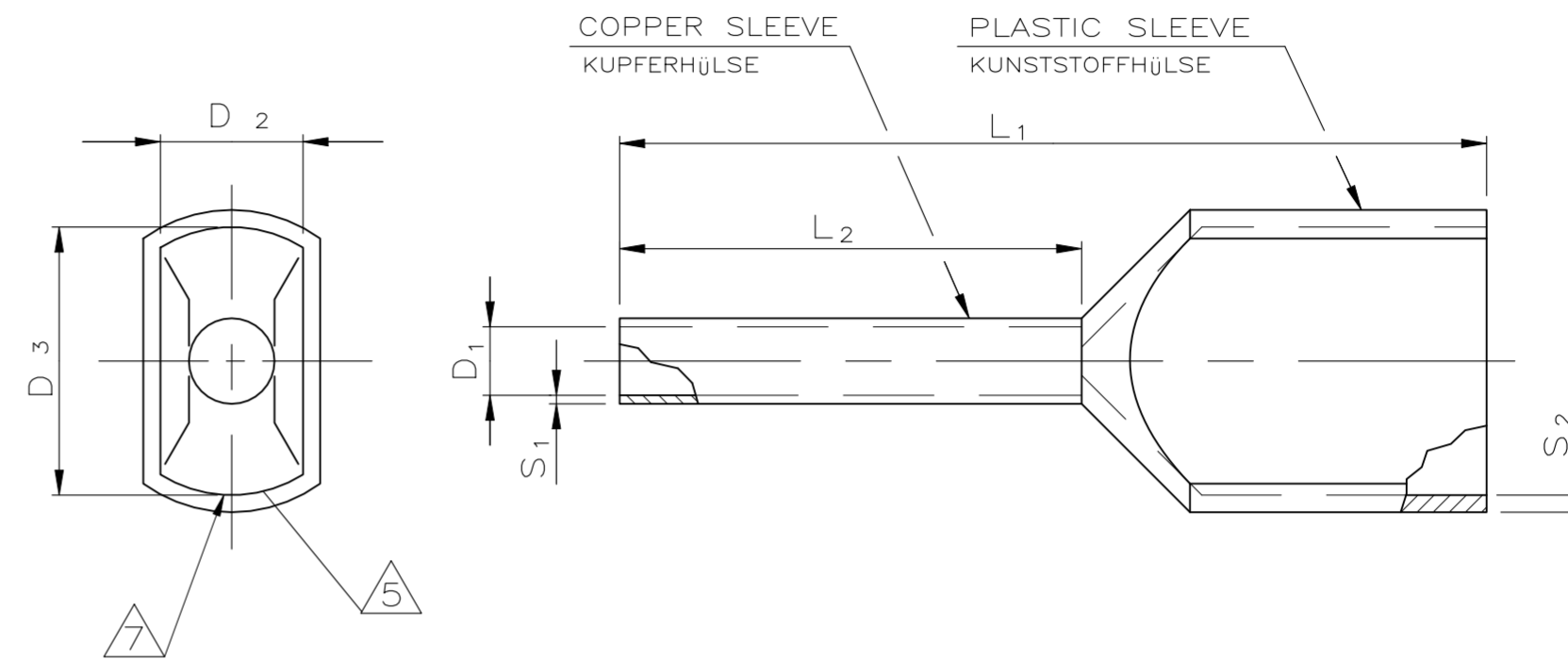


REVISIONS				
P	LTR	DESCRIPTION	DATE	APVD
B9		REVISED PER ECR-23-166943	03MAR2023	BB DSC

PART NO. BESTELL-NR.	SIZE		RECOMMENDED STRIP LENGTH ABISOLIER- LÄNGE /mm	COLOUR FARBE /mm	D ₁ /mm	D ₂ /mm	D ₃ /mm	L ₁ /mm	L ₂ /mm	S ₁ /mm	S ₂ /mm	COLOUR TYPE FARB- REIHE /mm	PACKAGE QTY VERPACKUNGS- EINHEIT /mm
	mm ²	AWG											
966 144-1	2x0.50	2x20	12.5+0.5	WHITE WEISS	1.40+0.14	2.50 ±0.2	4.70 ±0.4	15.0 ±1.5	8.00 ±0.6	0.15 ±0.05	0.25 ±0.10	1/DIN	500
966 144-2	2x0.75	2x18	12.5+0.5	GREY GRAU	1.70+0.25	2.80 ±0.2	5.00 ±0.4	15.0 ±1.5	8.00 ±0.6	0.15 ±0.05	0.25 ±0.10	DIN	500
966 144-3	2x0.75	2x18	14.5+0.5	GREY GRAU	1.70+0.25	2.80 ±0.2	5.00 ±0.4	17.0 ±1.5	10.0 ±0.6	0.15 ±0.05	0.25 ±0.10	DIN	500
966 144-4	2x1.00	2x18	12.5+0.5	RED ROT	1.95+0.25	3.40 ±0.2	5.40 ±0.4	15.0 ±1.5	8.00 ±0.6	0.15 ±0.05	0.30 ±0.10	1/DIN	500
966 144-5	2x1.00	2x18	14.5+0.5	RED ROT	1.95+0.25	3.40 ±0.2	5.40 ±0.4	17.0 ±1.5	10.0 ±0.6	0.15 ±0.05	0.30 ±0.10	1/DIN	500
966 144-6	2x1.50	2x16	12.5+0.5	BLACK SCHWARZ	2.20+0.25	3.60 ±0.2	6.60 ±0.4	16.0 ±1.5	8.00 ±0.6	0.15 ±0.05	0.30 ±0.10	1/DIN	500
966 144-7	2x1.50	2x16	16.5+0.5	BLACK SCHWARZ	2.20+0.25	3.60 ±0.2	6.60 ±0.4	20.0 ±1.5	12.0 ±0.6	0.15 ±0.05	0.30 ±0.10	1/DIN	500
966 144-8	2x2.50	2x14	14.5+0.5	BLUE BLAU	2.80+0.25	4.20 ±0.2	7.80 ±0.4	18.5 ±1.5	10.0 ±0.6	0.20 ±0.05	0.30 ±0.10	2/DIN	250
966 144-9	2x2.50	2x14	17.5+0.5	BLUE BLAU	2.80+0.25	4.20 ±0.2	7.80 ±0.4	21.5 ±2.0	13.0 ±0.6	0.20 ±0.05	0.30 ±0.10	2/DIN	250
1-966 144-0	2x4.00	2x12	16.5+0.5	GREY GRAU	3.70+0.30	4.90 ±0.4	8.80 ±0.4	23.0 ±2.0	12.0 ±0.6	0.20 ±0.05	0.40 ±0.15	2/DIN	100
1-966 144-1	2x6.00	2x10	19.0+0.5	YELLOW GELB	4.80+0.30	6.90 ±0.4	10.0 ±0.4	26.0 ±2.0	14.0 ±0.6	0.20 ±0.05	0.40 ±0.15	DIN	100
1-966 144-2	2x10.0	2x8	19.0+0.5	RED ROT	6.40+0.40	7.20 ±0.4	13.0 ±0.5	26.0 ±2.0	14.0 ±0.6	0.20 ±0.05	0.40 ±0.15	DIN	100
1-966 144-3	2x16.0	2x6	21.0+0.5	BLUE BLAU	8.20+0.40	9.60 ±0.4	18.4 ±1.0	30.0 ±2.0	14.0 ±0.6	0.20 ±0.05	0.40 ±0.15	DIN	50
1-966 144-4	2x0.5	2x20	12.5+0.5	ORANGE ORANGE	1.40+0.14	2.50 ±0.2	4.70 ±0.4	15.0 ±1.5	8.00 ±0.6	0.15 ±0.15	0.25 ±0.10	2	500
1-966 144-7	2x0.75	2x18	14.5+0.5	BLUE BLAU	1.70+0.25	2.80 ±0.2	5.00 ±0.4	17.0 ±1.5	10.0 ±0.6	0.15 ±0.05	0.25 ±0.10	1	500
1-966 144-8	2x0.75	2x18	14.5+0.5	WHITE WEISS	1.70+0.25	2.80 ±0.2	5.00 ±0.4	17.0 ±1.5	10.0 ±0.6	0.15 ±0.05	0.25 ±0.10	2	500
1-966 144-9	2x1.00	2x17	12.5+0.5	YELLOW GELB	1.95+0.25	3.40 ±0.2	5.40 ±0.4	15.0 ±1.5	8.00 ±0.6	0.15 ±0.05	0.30 ±0.10	2	500
2-966 144-0	2x1.00	2x17	14.5+0.5	YELLOW GELB	1.95+0.25	3.40 ±0.2	5.40 ±0.4	17.0 ±1.5	10.0 ±0.6	0.15 ±0.05	0.30 ±0.10	2	500
2-966 144-1	2x1.50	2x16	12.5+0.5	RED ROT	2.20+0.25	3.60 ±0.2	6.60 ±0.4	16.0 ±1.5	8.00 ±0.6	0.15 ±0.05	0.30 ±0.10	2	500
2-966 144-2	2x1.50	2x16	16.5+0.5	RED ROT	2.20+0.25	3.60 ±0.2	6.60 ±0.4	20.0 ±1.5	12.0 ±0.6	0.15 ±0.05	0.30 ±0.10	2	500
2-966 144-4	2x2.50	2x14	17.5+0.5	GREY GRAU	2.80+0.25	4.20 ±0.2	7.80 ±0.4	21.5 ±2.0	13.0 ±0.6	0.20 ±0.05	0.30 ±0.10	1	250
2-966 144-5	2x4.00	2x12	16.5+0.5	ORANGE ORANGE	3.70+0.30	4.90 ±0.4	8.80 ±0.4	23.0 ±2.0	12.0 ±0.6	0.20 ±0.05	0.40 ±0.15	1	100
2-966 144-6	2x6.00	2x10	19.0+0.5	GREEN GRÜN	4.80+0.30	6.90 ±0.4	10.0 ±0.4	26.0 ±2.0	14.0 ±0.6	0.20 ±0.05	0.40 ±0.15	1	100
2-966 144-8	2x10.0	2x8	19.0+0.5	BROWN BRAUN	6.40+0.40	7.20 ±0.4	13.0 ±0.5	26.0 ±2.0	14.0 ±0.6	0.20 ±0.05	0.40 ±0.15	1	100



- 1 THE AWG CROSS-SECTION CAN DIFFER SLIGHTLY FROM THE DIN-STANDARD CROSS-SECTION VALUES.
- 2 NOTE DELETED
- 3 PARTS PACKED IN PLASTIC BAG, LOOSE PIECE
- 4 COLOUR TYPE 1: COLOURS PER FRENCH STANDARD
COLOUR TYPE 2: COLOURS PER GERMAN STANDARD
COLOUR TYPE DIN: COLOURS PER DIN 46228 PART 4
- 5 MAX.INSULATION DIA. OF WIRE: 0.5xD₃MIN.-0.1
- 6. NOTE DLETED
- 7 0.6MM ALLOWABLE MOLDING FLASH PRESENT ON THIS SURFACE
- 8 MATERIAL:
METAL SLEEVE - COPPER
PLASTIC SLEEVE - POLYPROPYLENE
- 9 FINISH:
METAL SLEEVE - TIN PLATE 3µm MIN THICKNESS
PLASTIC SLEEVE COLOR - SEE TABLE
- 10 MAXIMUM RECOMMENDED TEMPERATURE 105°C
- 11 CSA APPROVED, FILE 701553

THIS DRAWING IS A CONTROLLED DOCUMENT.		DWN R.SCHMIDT 22-FEB-93		
DIMENSIONS: mm		CHK W.BÖCK 02-MAR-93		
TOLERANCES UNLESS OTHERWISE SPECIFIED:		APVD G.FELDMEIER 29-NOV-00	NAME	
		PRODUCT SPEC	WIRE FERRULE WITH PLASTIC SLEEVE, DOUBLE CONDUCTOR, LOOSE PIECE DIN, FRENCH & GERMAN-COLOR CODING	
MATERIAL		APPLICATION SPEC	SIZE A2	CAGE CODE 00779
FINISH		WEIGHT	DRAWING NO C=966144	RESTRICTED TO
		CUSTOMER DRAWING	SCALE 1:1	SHEET 1 of 1
			REV B9	