

Type BLC-08-GT
Fuse Block
MEGA[®] Limiter Fuses



www.optifuse.com (619) 593-5050

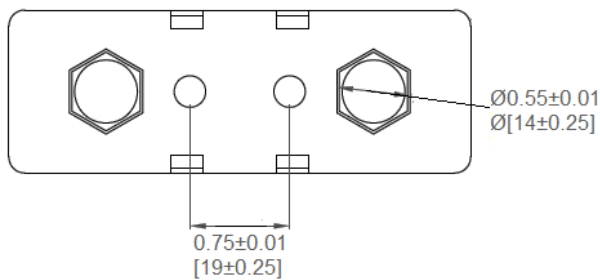
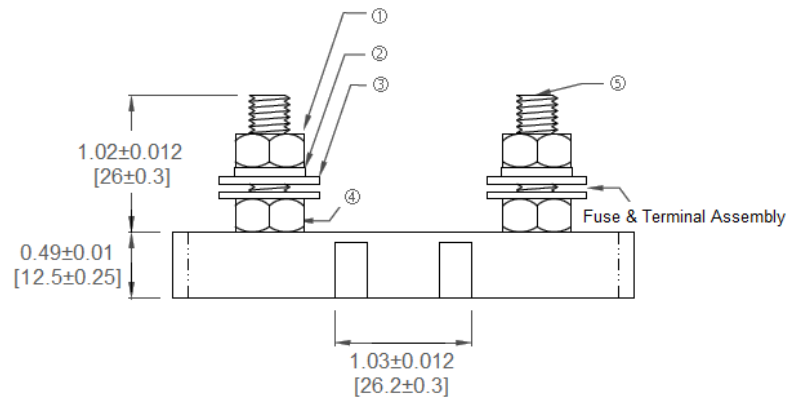
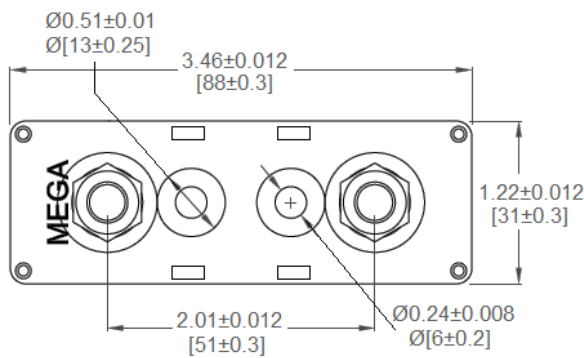
Specifications:

- Voltage Rating:** 125VAC / 500VDC
- Max Current Rating:** 500A
- Fuse Type:** MEGA[®] Limiter Fuse
- Insulation Resistance @ 500V DC:** 100MΩ Min.
- Base:** Phenolic Laminate, Flame Retarding
- Terminals:** Steel, anti-corrosion

Hardware Specifications		
Item	Qty	Description
1	2	Nut, Nylock 5/16-24UNF
2	2	Lock Washer, 5/16
3	4	Washer, 5/16 SAE
4	2	Nut, Hex, Normal, 5/16-24UNF
5	2	Bolt, hex cap, 5/16-24 UNF x 1.25

For Cover: See BLC-08-GTC

Mechanical Dimensions: Inches [mm]



	<p>Warning: -Operation beyond the specified maximum ratings or improper use may result in damage and possible electrical arcing and/or flame.</p>
	<p>-Avoid contact of device with chemical solvent. Prolonged contact may damage the device performance.</p>