

4

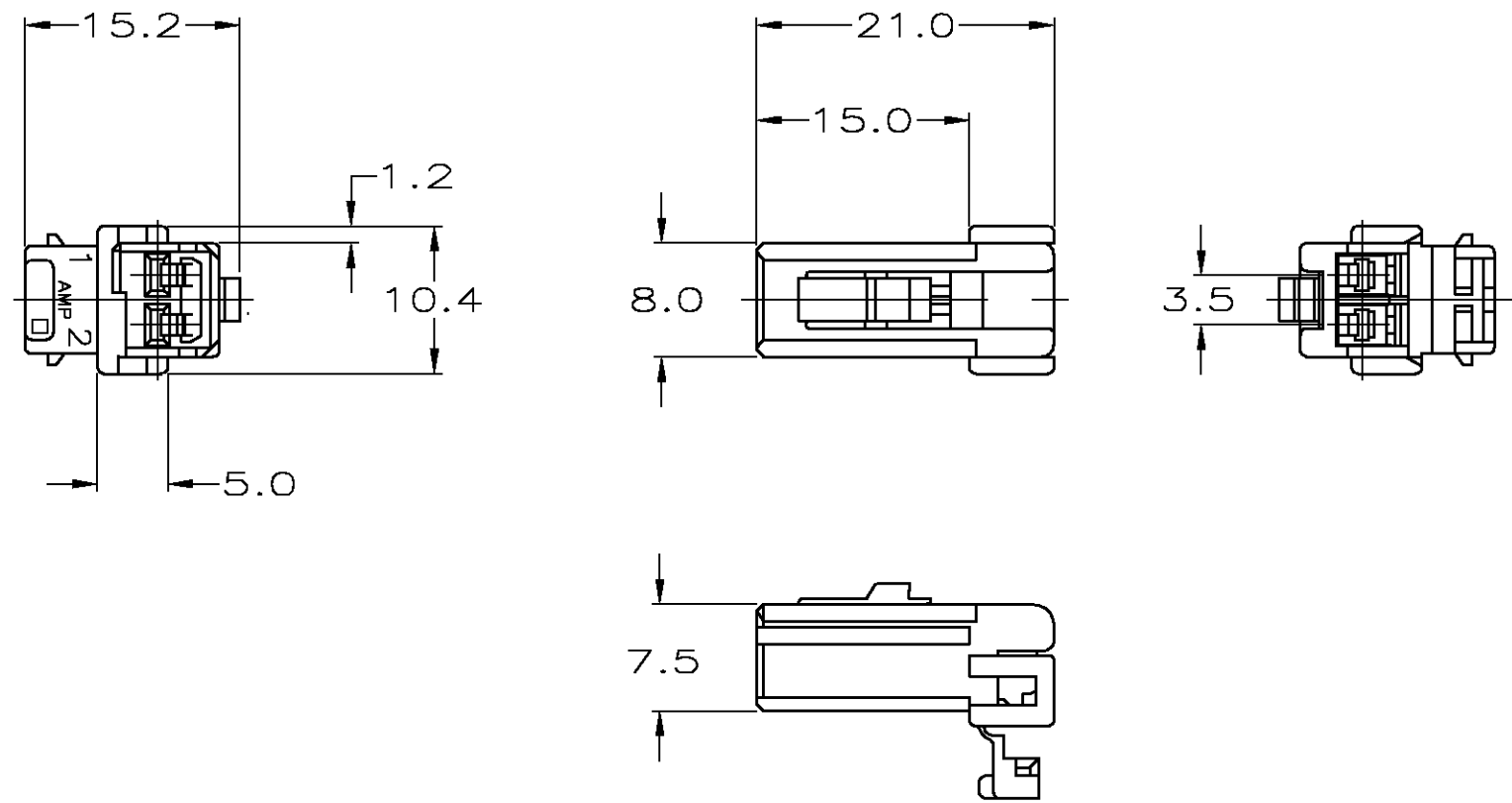
3

2

1

THIS DRAWING IS UNPUBLISHED. RELEASED FOR PUBLICATION
 © COPYRIGHT BY TYCO ELECTRONICS CORPORATION. ALL RIGHTS RESERVED.

LOC	DIST	REVISIONS				
P	LTR	DESCRIPTION	DATE	DWN	APVD	
FX	55					
		D	REDRAWN - EC 0K80-0003-03	05FEB03	JRB/SSA	



- 1. MATES TO MOLDED-IN INTERFACE DEVICE.
- 2. APPLIED CONTACT PART NUMBER 173631.

BLACK	776127-2
COLOR	PART NUMBER

THIS DRAWING IS A CONTROLLED DOCUMENT.		DWN	P. YEAGER	9-6-96	tyco Electronics	Tyco Electronics Corporation Harrisburg, PA 17105-3608								
DIMENSIONS: MM		CHK	R. GRAY	9-6-96		NAME PLUG HSG,2 POSN,RIGHT KEYED .070 SERIES MULTI-LOCK	SIZE	CAGE CODE	DRAWING NO	RESTRICTED TO				
TOLERANCES UNLESS OTHERWISE SPECIFIED: 0 PLC ± - 1 PLC ± 0.25 2 PLC ± 0.13 3 PLC ± - 4 PLC ± - ANGLES ± -		APVD	R. GRAY	9-6-96			A3	00779	776127	-				
MATERIAL PBT	FINISH -	PRODUCT SPEC	-	-	APPLICATION SPEC	-	-	-	SCALE	2:1	SHEET	1 OF 1	REV	D
CUSTOMER DRAWING														