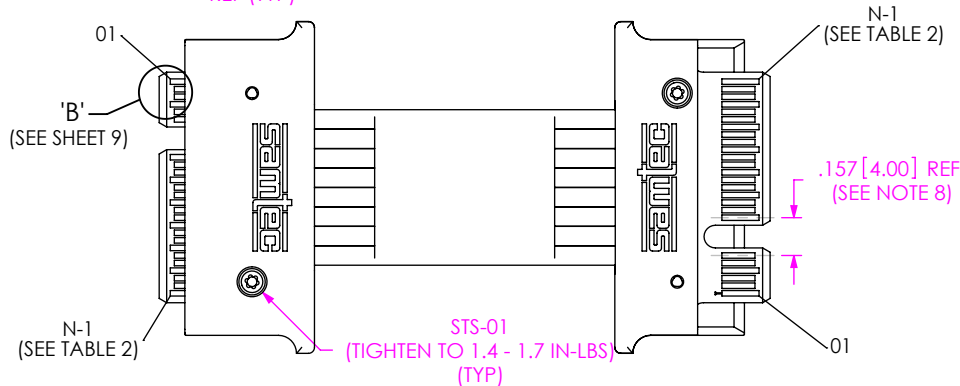
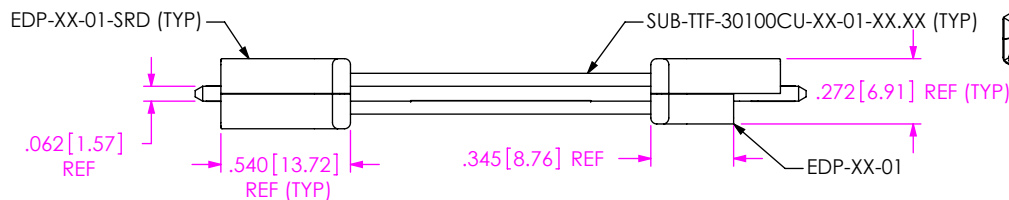
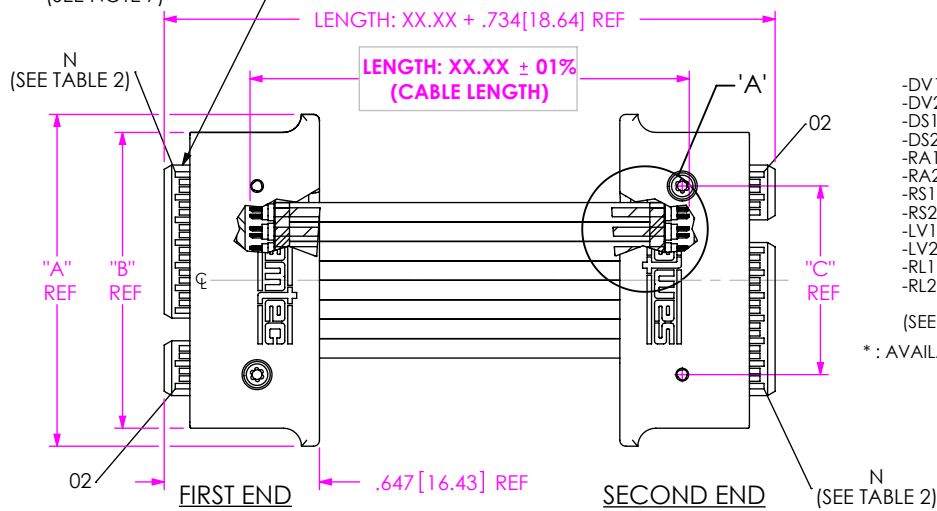


DO NOT SCALE FROM THIS PRINT

**THIS PRODUCT MANUFACTURED WITH LEAD-FREE PROCESSING**

EEDP-XXX-XX.XX-XXX-XXX-X

SUB-PCB-0453-EEDP-XXX-EC-S  
(SEE NOTE 7)



**TABLE 2**

No. OF PAIRS	N	N-1
-008	26	25
-016	50	49
-024	74	73
-032	98	97

**TABLE 1**

No. OF PAIRS	WIRING OPTION	"A"	"B"	"C"	EDP-XX-01-XXX	SUB-TTF-30100-XX-01-XXX	SUB-PCB-0453-EEDP-XXX-EC-X (SEE NOTE 7)
-008	*-1, *-2, *-3, *-4	0.965 [24.51]	0.815 [20.70]	0.451 [11.45]	EDP-08-01-XXX	SUB-TTF-30100-04-01-XX-XX	SUB-PCB-0453-EEDP-008-EC-X
	-5, -6, -7, -8	0.965 [24.51]	0.815 [20.70]	0.451 [11.45]	EDP-08-01-XXX	SUB-TTF-30100CU-04-01-XX-XX	SUB-PCB-0453-EEDP-008-EC-X
-016	*-1, *-2, *-3, *-4	1.382 [35.10]	1.232 [31.29]	0.786 [19.96]	EDP-16-01-XXX	SUB-TTF-30100-08-01-XX-XX	SUB-PCB-0453-EEDP-016-EC-X
	-5, -6, -7, -8	1.382 [35.10]	1.232 [31.29]	0.786 [19.96]	EDP-16-01-XXX	SUB-TTF-30100CU-08-01-XX-XX	SUB-PCB-0453-EEDP-016-EC-X
-024	*-1, *-2, *-3, *-4	1.760 [44.70]	1.610 [40.89]	1.164 [29.56]	EDP-24-01-XXX	SUB-TTF-30100-XX-01-XX-XX (SEE FIG 3, SHEET 6)	SUB-PCB-0453-EEDP-024-EC-X
	-5, -6, -7, -8	1.760 [44.70]	1.610 [40.89]	1.164 [29.56]	EDP-24-01-XXX	SUB-TTF-30100CU-XX-01-XX-XX (SEE FIG 3, SHEET 6)	SUB-PCB-0453-EEDP-024-EC-X
-032	*-1, *-2, *-3, *-4	2.099 [53.31]	1.949 [49.50]	1.483 [37.66]	EDP-32-01-XXX	SUB-TTF-30100-16-01-XX-XX	SUB-PCB-0453-EEDP-032-EC-X
	-5, -6, -7, -8	2.099 [53.31]	1.949 [49.50]	1.483 [37.66]	EDP-32-01-XXX	SUB-TTF-30100CU-16-01-XX-XX	SUB-PCB-0453-EEDP-032-EC-X

No. OF PAIRS  
 -008, -016, -024 (SEE SHEET 6),  
 -032 (SEE TABLE 8, SHEET 10)

LENGTH  
 -XX.XX (INCHES)  
 (01.72 [43.7] MIN)  
 (SEE NOTE 2)  
 (SEE NOTE 10)

FIRST END  
 -DV1: DOUBLE VERTICAL  
 -DV2: DOUBLE VERTICAL (FLIPPED)  
 -DS1: DV1 WITH CAPTIVE PANEL SCREWS  
 -DS2: DV2 WITH CAPTIVE PANEL SCREWS  
 -RA1: RIGHT ANGLE (SHROUD UP)  
 -RA2: RIGHT ANGLE (SHROUD DOWN)  
 -RS1: RA1 WITH CAPTIVE PANEL SCREWS  
 -RS2: RA2 WITH CAPTIVE PANEL SCREWS  
 -LV1: DV1 WITH LATCHES (SEE SHEET 9)  
 -LV2: DV2 WITH LATCHES (SEE SHEET 9)  
 -RL1: RIGHT ANGLE WITH LATCHES (SHROUD UP)  
 -RL2: RIGHT ANGLE WITH LATCHES (SHROUD DOWN)

(SEE SHEET 2 & 3) (SEE TABLE 9, SHEET 10)  
 \*: AVAILABLE TO EXISTING CUSTOMERS ONLY

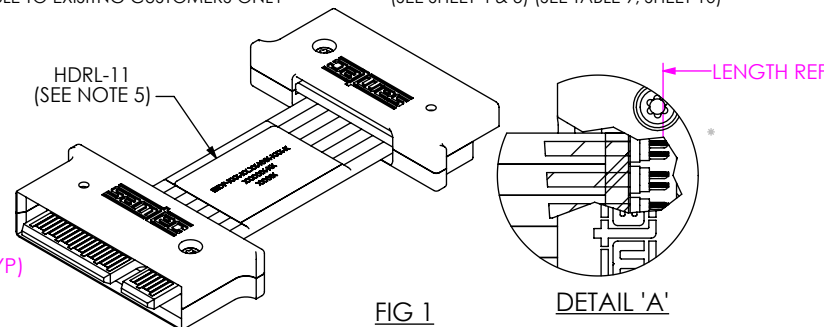
WIRING OPTION (SEE NOTE 11)

\*-1: PIN 1 TO PIN 1  
 \*-2: PIN 1 TO PIN 2  
 \*-3: PIN 1 TO PIN N-1  
 \*-4: PIN 1 TO PIN N  
 -5: PIN 1 TO PIN 1  
 -6: PIN 1 TO PIN 2  
 -7: PIN 1 TO PIN N-1  
 -8: PIN 1 TO PIN N  
 (SEE TABLE 3, SHEET 7 FOR -008, -016, -032)  
 (SEE TABLE 5, SHEET 8 FOR -024)

SECOND END

-DV1: DOUBLE VERTICAL  
 -DV2: DOUBLE VERTICAL (FLIPPED)  
 -DS1: DV1 WITH CAPTIVE PANEL SCREWS  
 -DS2: DV2 WITH CAPTIVE PANEL SCREWS  
 -RA1: RIGHT ANGLE (SHROUD UP)  
 -RA2: RIGHT ANGLE (SHROUD DOWN)  
 -RS1: RA1 WITH CAPTIVE PANEL SCREWS  
 -RS2: RA2 WITH CAPTIVE PANEL SCREWS  
 -LV1: DV1 WITH LATCHES (SEE SHEET 9)  
 -LV2: DV2 WITH LATCHES (SEE SHEET 9)  
 -RL1: RIGHT ANGLE WITH LATCHES (SHROUD UP)  
 -RL2: RIGHT ANGLE WITH LATCHES (SHROUD DOWN)

(SEE SHEET 4 & 5) (SEE TABLE 9, SHEET 10)



- NOTES:
- REPRESENTS A CRITICAL DIMENSION.
  - SUB-TTF LENGTH IS EQUAL TO EEDP LENGTH.
  - ALL ASSEMBLIES TO BE 100% ELECTRICALLY TESTED FOR SHORTS AND OPENS.
  - ALL ASSEMBLIES TO BE 100% HI-POT TESTED AT 300V.
  - TOP SUB-TT'S NOT SHOWN IN THIS VIEW FOR CLARITY; HDRL-11 TO BE CENTERED ON LOWER SUB-TT'S AS SHOWN; HDRL-11 IS TO CONTAIN PART NUMBER, SHOP NUMBER, & DATE CODE.
  - FOR PACKAGING REQUIREMENTS REFERENCE PACKAGING STANDARDS.
  - FOR PRE-TINNING PROCESSING INFORMATION ON THE SUB-PCB'S, SEE TRAVELER SUB-PCB-0453-EEDP-"XXX".
  - KEY CONSUMES FOUR PITCHES.
  - LVX OPTION: TIGHTEN TO 1.4-1.5 IN-LBS.
  - CABLE LENGTHS LONGER THAN 40.00 INCHES ARE NOT SUPPORTED BY S.I. TEST DATA.
  - WIRING OPTION -5 THROUGH -8 USE 30100CU.
  - REFER TO PREP-SPEC DRAWING FOR CABLE PREP DIMENSIONS. ASSEMBLY USES STANDARD PCB PREP.

TOLERANCES DO NOT APPLY TO REFERENCE DIMENSIONS. UNLESS OTHERWISE SPECIFIED, DIMENSIONS ARE IN INCHES.

TOLERANCES ARE:  
 DECIMALS .XX: ±.01[.3]  
 .XXX: ±.005[.13]  
 .XXXX: ±.002[.051]

ANGLES 2°

**PROPRIETARY NOTE**  
 THIS DOCUMENT CONTAINS CONFIDENTIAL AND PROPRIETARY INFORMATION AND ALL DESIGN, MANUFACTURING, REPRODUCTION, USE, PATENT RIGHTS AND SALES RIGHTS ARE EXPRESSLY RESERVED BY SAMTEC, INC. THIS DOCUMENT SHALL NOT BE DISCLOSED, IN WHOLE OR PART, TO ANY UNAUTHORIZED PERSON OR ENTITY NOR REPRODUCED, TRANSFERRED OR INCORPORATED IN ANY OTHER PROJECT IN ANY MANNER WITHOUT THE EXPRESS WRITTEN CONSENT OF SAMTEC, INC.

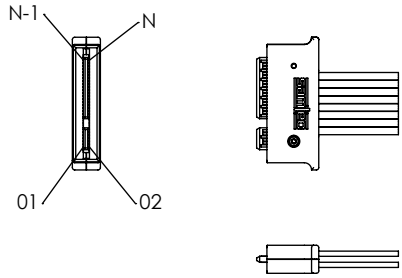
**MATERIAL:** DO NOT SCALE DRAWING SHEET SCALE: 1:25:1

**DESCRIPTION:**  
 TWIN-AX EDGE CARD CABLE ASSEMBLY  
 DWG. NO. EEDP-XXX-XX.XX-XXX-XXX-X  
 BY: BRATCHER 09/25/2003 SHEET 1 OF 11

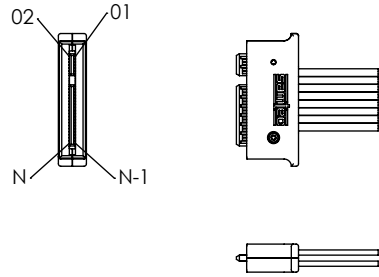
520 PARK EAST BLVD. NEW ALBANY, IN 47150  
 PHONE: 812-944-6733 FAX: 812-948-5047  
 e-Mail: info@SAMTEC.com code 55322

F:\DWG\MISC\MKTG\EEDP-XXX-XX.XX-XXX-XXX-X-MKT.SLDDRW

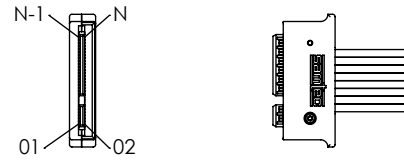
-DV1



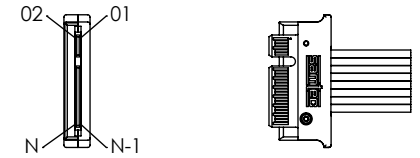
-DV2



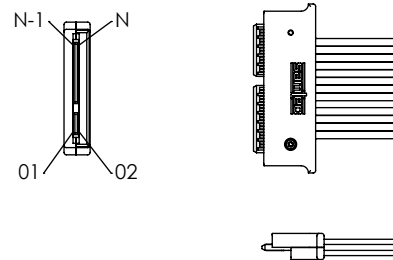
-RA1  
-008 & -016



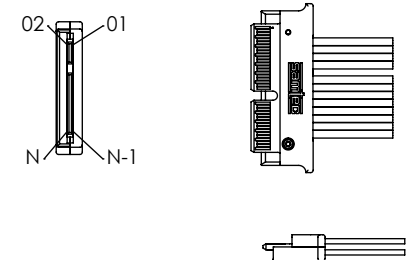
-RA2  
-008 & -016



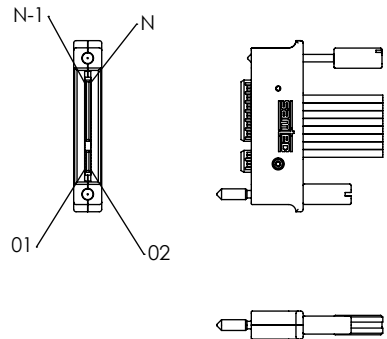
-024 & -032



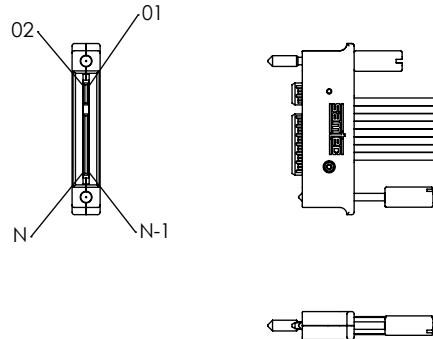
-024 & -032



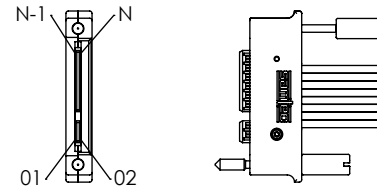
-DS1



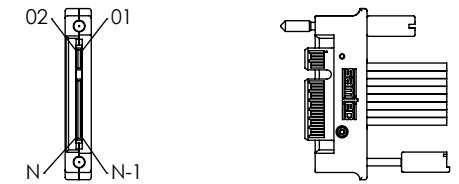
-DS2



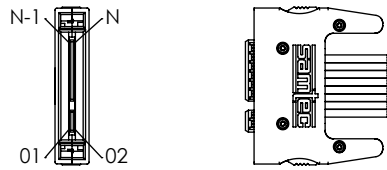
-RS1  
-008 & -016



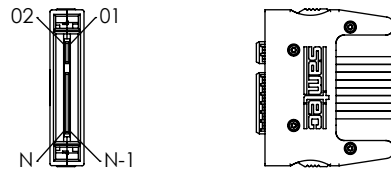
-RS2  
-008 & -016



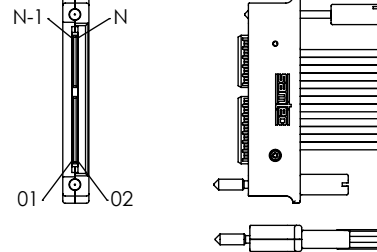
-LV1  
-008 & -016



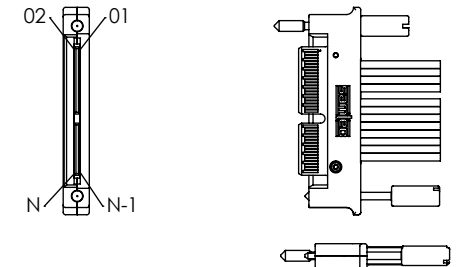
-LV2  
-008 & -016



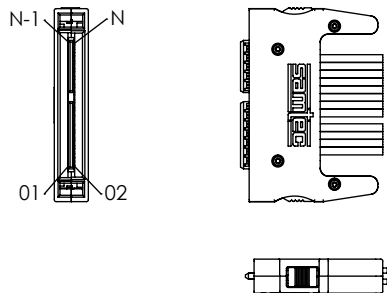
-024 & -032



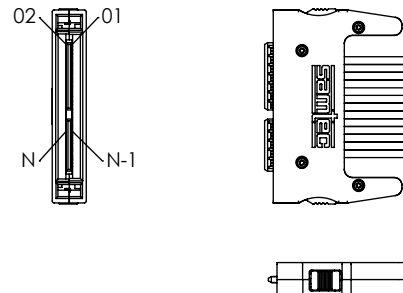
-024 & -032



-024 & -032



-024 & -032



**PROPRIETARY NOTE**

THIS DOCUMENT CONTAINS CONFIDENTIAL AND PROPRIETARY INFORMATION AND ALL DESIGN, MANUFACTURING, REPRODUCTION, USE, PATENT RIGHTS AND SALES RIGHTS ARE EXPRESSLY RESERVED BY SAMTEC, INC. THIS DOCUMENT SHALL NOT BE DISCLOSED, IN WHOLE OR PART, TO ANY UNAUTHORIZED PERSON OR ENTITY NOR REPRODUCED, TRANSFERRED OR INCORPORATED IN ANY OTHER PROJECT IN ANY MANNER WITHOUT THE EXPRESS WRITTEN CONSENT OF SAMTEC, INC.



520 PARK EAST BLVD, NEW ALBANY, IN 47150  
PHONE: 812-944-6733 FAX: 812-948-5047  
e-Mail: info@SAMTEC.com code 55322

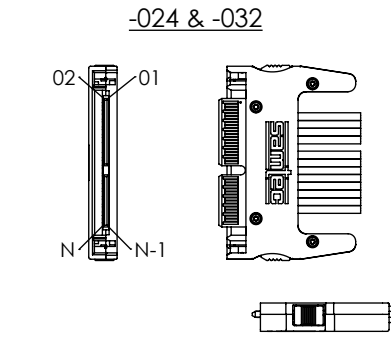
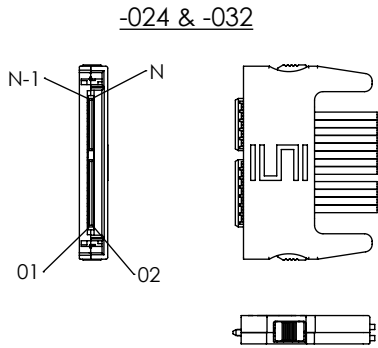
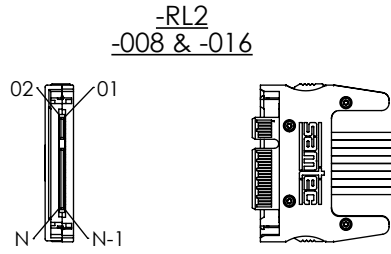
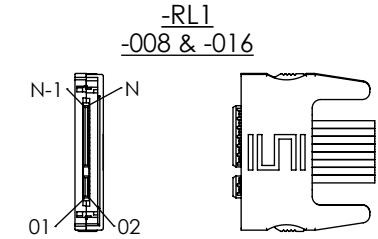
DO NOT SCALE DRAWING

SHEET SCALE: 1:2

DESCRIPTION:  
TWIN-AX EDGE CARD CABLE ASSEMBLY

DWG. NO.  
EEDP-XXX-XX.XX-XXX-XXX-X

BY: BRATCHER 09/25/2003 SHEET 2 OF 11



• PROPRIETARY NOTE •  
THIS DOCUMENT CONTAINS CONFIDENTIAL AND PROPRIETARY INFORMATION AND ALL DESIGN, MANUFACTURING, REPRODUCTION, USE, PATENT RIGHTS AND SALES RIGHTS ARE EXPRESSLY RESERVED BY SAMTEC, INC. THIS DOCUMENT SHALL NOT BE DISCLOSED, IN WHOLE OR PART, TO ANY UNAUTHORIZED PERSON OR ENTITY NOR REPRODUCED, TRANSFERRED OR INCORPORATED IN ANY OTHER PROJECT IN ANY MANNER WITHOUT THE EXPRESS WRITTEN CONSENT OF SAMTEC, INC.



520 PARK EAST BLVD, NEW ALBANY, IN 47150  
PHONE: 812-944-6733 FAX: 812-948-5047  
e-Mail info@SAMTEC.com code 55322

DO NOT SCALE DRAWING

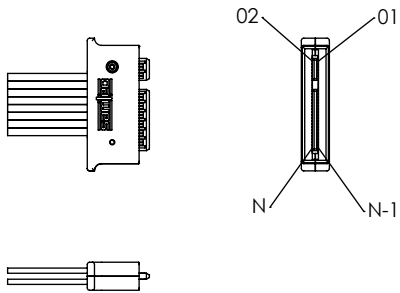
SHEET SCALE: 1:2

DESCRIPTION:  
TWIN-AX EDGE CARD CABLE ASSEMBLY

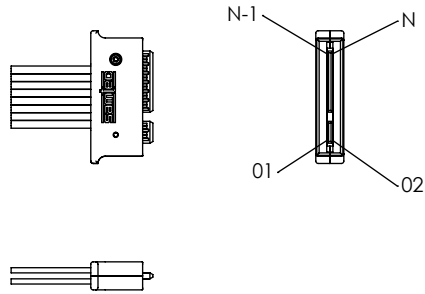
DWG. NO.  
EEDP-XXX-XX.XX-XXX-XXX-X

BY: BRATCHER 09/25/2003 SHEET 3 OF 11

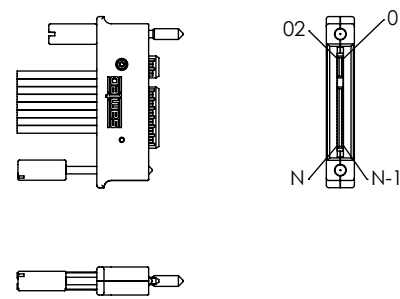
-DV1



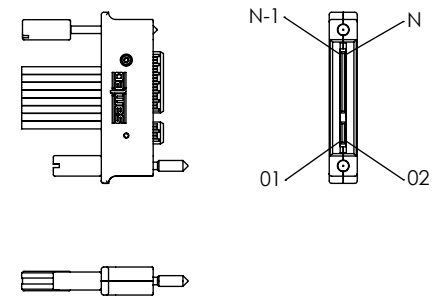
-DV2



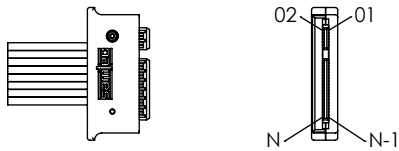
-DS1



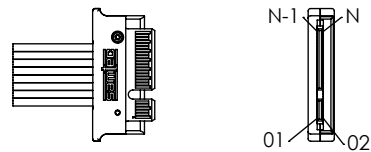
-DS2



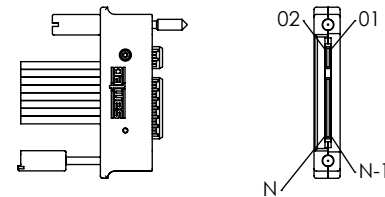
-RA1  
-008 & -016



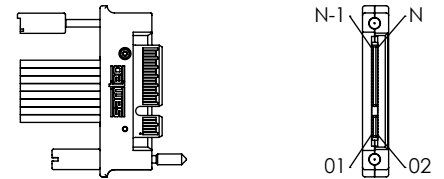
-RA2  
-008 & -016



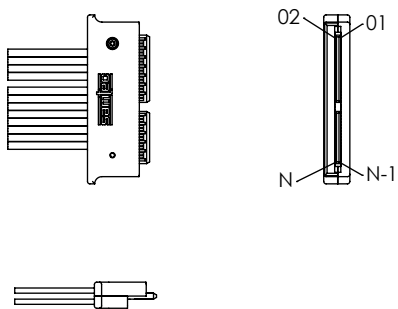
-RS1  
-008 & -016



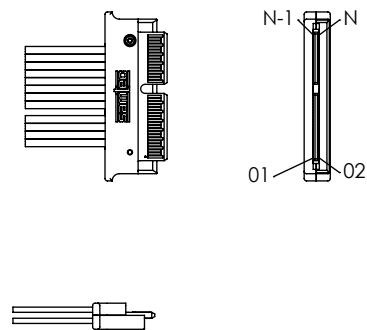
-RS2  
-008 & -016



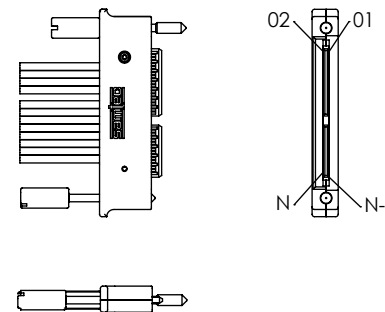
-024 & -032



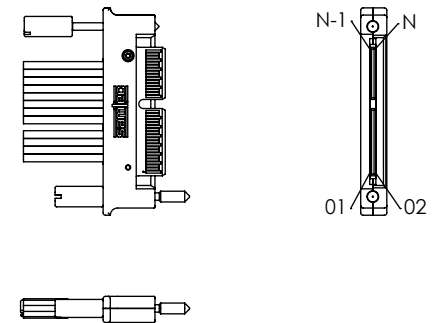
-024 & -032



-024 & -032



-024 & -032



**PROPRIETARY NOTE**

THIS DOCUMENT CONTAINS CONFIDENTIAL AND PROPRIETARY INFORMATION AND ALL DESIGN, MANUFACTURING, REPRODUCTION, USE, PATENT RIGHTS AND SALES RIGHTS ARE EXPRESSLY RESERVED BY SAMTEC, INC. THIS DOCUMENT SHALL NOT BE DISCLOSED, IN WHOLE OR PART, TO ANY UNAUTHORIZED PERSON OR ENTITY NOR REPRODUCED, TRANSFERRED OR INCORPORATED IN ANY OTHER PROJECT IN ANY MANNER WITHOUT THE EXPRESS WRITTEN CONSENT OF SAMTEC, INC.



520 PARK EAST BLVD. NEW ALBANY, IN 47150  
PHONE: 812-944-6733 FAX: 812-948-5047  
e-Mail info@SAMTEC.com code 55322

DO NOT SCALE DRAWING

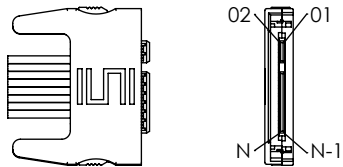
SHEET SCALE: 1:2

DESCRIPTION:  
TWIN-AX EDGE CARD CABLE ASSEMBLY

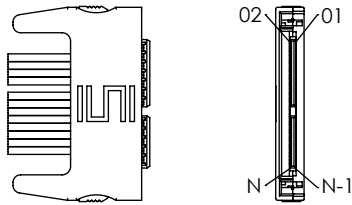
DWG. NO.  
EEDP-XXX-XX.XX-XXX-XXX-X

BY: BRATCHER 09/25/2003 SHEET 4 OF 11

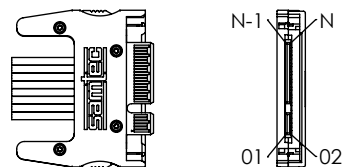
-RL1  
-008 & -016



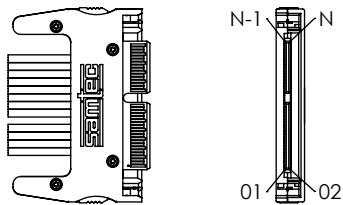
-024 & -032



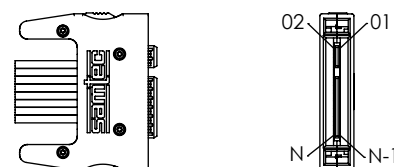
-RL2  
-008 & -016



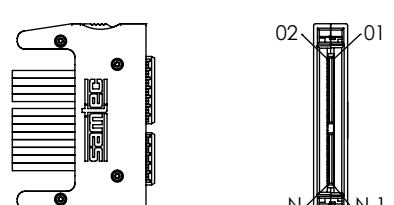
-024 & -032



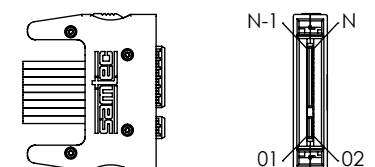
-LV1  
-008 & -016



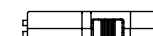
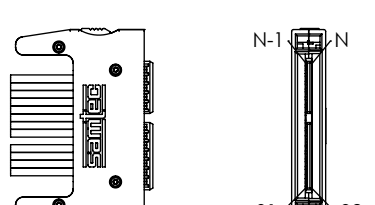
-024 & -032



-LV2  
-008 & -016



-024 & -032



**PROPRIETARY NOTE**  
 \* THIS DOCUMENT CONTAINS CONFIDENTIAL AND PROPRIETARY INFORMATION AND ALL DESIGN, MANUFACTURING, REPRODUCTION, USE, PATENT RIGHTS AND SALES RIGHTS ARE EXPRESSLY RESERVED BY SAMTEC, INC. THIS DOCUMENT SHALL NOT BE DISCLOSED, IN WHOLE OR PART, TO ANY UNAUTHORIZED PERSON OR ENTITY NOR REPRODUCED, TRANSFERRED OR INCORPORATED IN ANY OTHER PROJECT IN ANY MANNER WITHOUT THE EXPRESS WRITTEN CONSENT OF SAMTEC, INC.



520 PARK EAST BLVD, NEW ALBANY, IN 47150  
 PHONE: 812-944-6733 FAX: 812-948-5047  
 e-Mail info@SAMTEC.com code 55322

DO NOT SCALE DRAWING

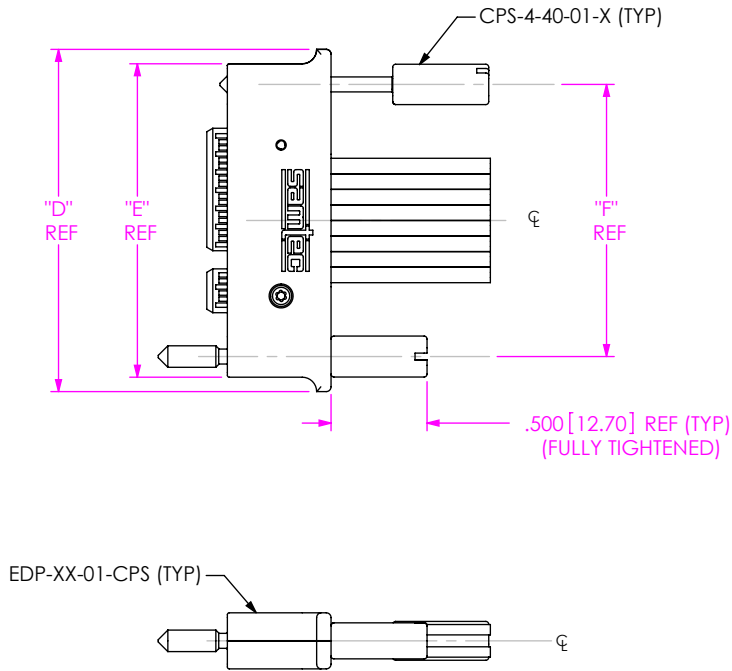
SHEET SCALE: 1:2

DESCRIPTION:  
 TWIN-AX EDGE CARD CABLE ASSEMBLY

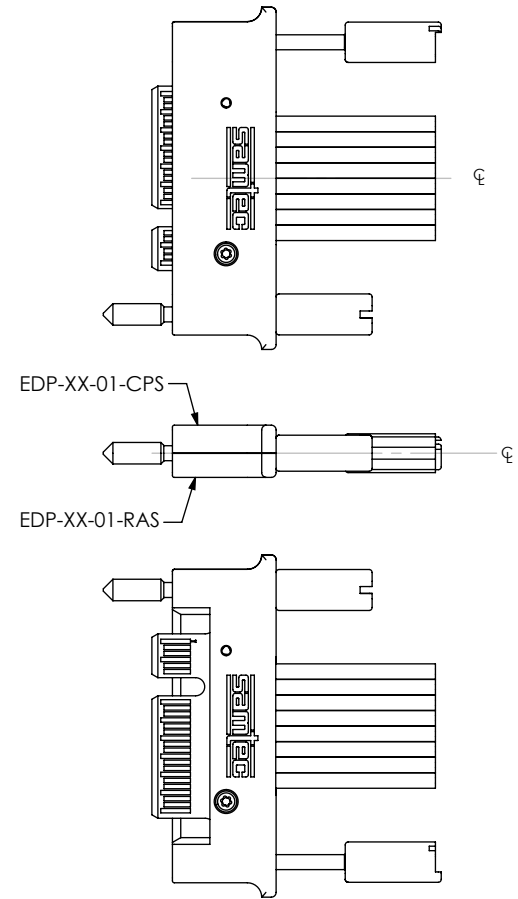
DWG. NO.  
 EEDP-XXX-XX.XX-XXX-XXX-X

BY: BRATCHER 09/25/2003 SHEET 5 OF 11

TABLE 4 (FOR USE WITH FIG. 2 & FIG. 3)					
No. OF PAIRS	"D"	"E"	"F"	EDP-XX-01-CPS	EDP-XX-01-RAS
-008	1.365 [34.67]	1.215 [30.86]	1.024 [26.00]	EDP-08-01-CPS	EDP-08-01-RAS
-016	1.782 [45.26]	1.632 [41.45]	1.417 [36.00]	EDP-16-01-CPS	EDP-16-01-RAS
-024	2.160 [54.86]	2.010 [51.05]	1.772 [45.00]	EDP-24-01-CPS	EDP-24-01-RAS
-032	2.499 [63.47]	2.349 [59.66]	2.126 [54.00]	EDP-32-01-CPS	EDP-32-01-RAS



**FIG 2**  
 -DSX: DOUBLE VERTICAL WITH CAPTIVE PANEL SCREWS  
 (EEDP-016-XX.XX-DS1-XXX-X SHOWN)  
 (SAME AS FIG 1, UNLESS OTHERWISE STATED)



**FIG 3**  
 -RSX: RIGHT ANGLE WITH CAPTIVE PANEL SCREWS  
 (EEDP-016-XX.XX-RS1-XXX-X SHOWN)  
 (SAME AS FIG 2, UNLESS OTHERWISE STATED)

F:\DWG\MISC\MKTG\EEDP-XXX-XX.XX-XXX-XXX-X-MKT.SLDDRW

**PROPRIETARY NOTE**  
 THIS DOCUMENT CONTAINS CONFIDENTIAL AND PROPRIETARY INFORMATION AND ALL DESIGN, MANUFACTURING, REPRODUCTION, USE, PATENT RIGHTS AND SALES RIGHTS ARE EXPRESSLY RESERVED BY SAMTEC, INC. THIS DOCUMENT SHALL NOT BE DISCLOSED, IN WHOLE OR PART, TO ANY UNAUTHORIZED PERSON OR ENTITY NOR REPRODUCED, TRANSFERRED OR INCORPORATED IN ANY OTHER PROJECT IN ANY MANNER WITHOUT THE EXPRESS WRITTEN CONSENT OF SAMTEC, INC.

**samtec**  
 520 PARK EAST BLVD, NEW ALBANY, IN 47150  
 PHONE: 812-944-6733 FAX: 812-948-5047  
 e-Mail info@SAMTEC.com code 55322

DO NOT SCALE DRAWING

SHEET SCALE: 1:1

DESCRIPTION:  
 TWIN-AX EDGE CARD CABLE ASSEMBLY

DWG. NO.  
**EEDP-XXX-XX.XX-XXX-XXX-X**

BY: BRATCHER 09/25/2003 SHEET 6 OF 11

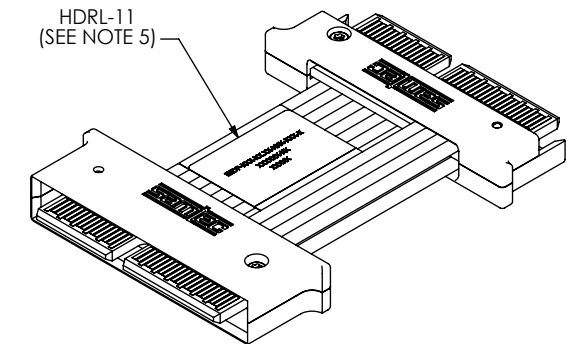
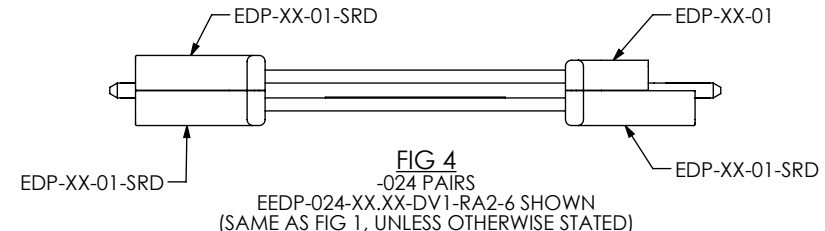
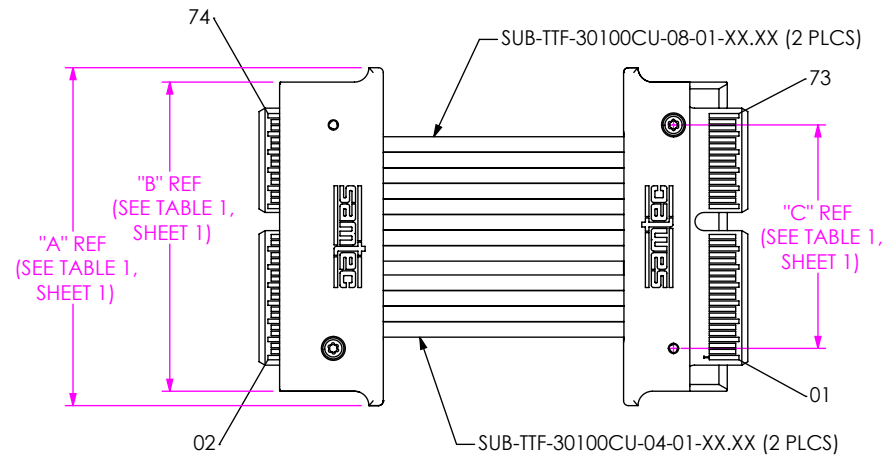


REVISION V

TABLE 5 (FOR -24 ONLY)

SECOND END OPTION (SUB-PCB-0453-EDP-XXX-EC-X)  
(SEE NOTE 7)

FIRST END OPTION	FIRST END SUB-PCB-0453-EDP-XXX-EC-X (SEE NOTE 7)	WIRING OPTION	FIRST END PIN #	SECOND END PIN #	-DV1	-DV2	-DS1	-DS2	-RA1	-RA2	-RS1	-RS2	*LV1	*LV2	*RL1	*RL2	
-DV1	-XXX-EC-S	-1	1	1	NA	-XXX-EC-C	NA	-XXX-EC-C	NA	-XXX-EC-C	NA	-XXX-EC-C	NA	-XXX-EC-C	NA	-XXX-EC-C	NA
		-2	1	2	NA	-XXX-EC-S	NA	-XXX-EC-S	NA	-XXX-EC-S	NA	-XXX-EC-S	NA	-XXX-EC-S	NA	-XXX-EC-S	NA
		-3	1	N-1	NA	NA	NA	NA	NA	NA	NA	NA	NA	NA	NA	NA	NA
		-4	1	N	NA	NA	NA	NA	NA	NA	NA	NA	NA	NA	NA	NA	NA
		-5	1	1	NA	-XXX-EC-C	NA	-XXX-EC-C	NA	-XXX-EC-C	NA	-XXX-EC-C	NA	-XXX-EC-C	NA	-XXX-EC-C	NA
		-6	1	2	NA	-XXX-EC-S	NA	-XXX-EC-S	NA	-XXX-EC-S	NA	-XXX-EC-S	NA	-XXX-EC-S	NA	-XXX-EC-S	NA
		-7	1	N-1	NA	NA	NA	NA	NA	NA	NA	NA	NA	NA	NA	NA	NA
		-8	1	N	NA	NA	NA	NA	NA	NA	NA	NA	NA	NA	NA	NA	NA
-DV2	-XXX-EC-S	-1	1	1	-XXX-EC-C	NA	-XXX-EC-C	NA	-XXX-EC-C	NA	-XXX-EC-C	NA	-XXX-EC-C	NA	-XXX-EC-C	NA	
		-2	1	2	-XXX-EC-S	NA	-XXX-EC-S	NA	-XXX-EC-S	NA	-XXX-EC-S	NA	-XXX-EC-S	NA	-XXX-EC-S	NA	
		-3	1	N-1	NA	NA	NA	NA	NA	NA	NA	NA	NA	NA	NA	NA	NA
		-4	1	N	NA	NA	NA	NA	NA	NA	NA	NA	NA	NA	NA	NA	NA
		-5	1	1	-XXX-EC-C	NA	-XXX-EC-C	NA	-XXX-EC-C	NA	-XXX-EC-C	NA	-XXX-EC-C	NA	-XXX-EC-C	NA	
		-6	1	2	-XXX-EC-S	NA	-XXX-EC-S	NA	-XXX-EC-S	NA	-XXX-EC-S	NA	-XXX-EC-S	NA	-XXX-EC-S	NA	
		-7	1	N-1	NA	NA	NA	NA	NA	NA	NA	NA	NA	NA	NA	NA	NA
		-8	1	N	NA	NA	NA	NA	NA	NA	NA	NA	NA	NA	NA	NA	NA
-DS1	-XXX-EC-S	-1	1	1	NA	-XXX-EC-C	NA	-XXX-EC-C	NA	-XXX-EC-C	NA	-XXX-EC-C	NA	-XXX-EC-C	NA	-XXX-EC-C	NA
		-2	1	2	NA	-XXX-EC-S	NA	-XXX-EC-S	NA	-XXX-EC-S	NA	-XXX-EC-S	NA	-XXX-EC-S	NA	-XXX-EC-S	NA
		-3	1	N-1	NA	NA	NA	NA	NA	NA	NA	NA	NA	NA	NA	NA	NA
		-4	1	N	NA	NA	NA	NA	NA	NA	NA	NA	NA	NA	NA	NA	NA
		-5	1	1	NA	-XXX-EC-C	NA	-XXX-EC-C	NA	-XXX-EC-C	NA	-XXX-EC-C	NA	-XXX-EC-C	NA	-XXX-EC-C	NA
		-6	1	2	NA	-XXX-EC-S	NA	-XXX-EC-S	NA	-XXX-EC-S	NA	-XXX-EC-S	NA	-XXX-EC-S	NA	-XXX-EC-S	NA
		-7	1	N-1	NA	NA	NA	NA	NA	NA	NA	NA	NA	NA	NA	NA	NA
		-8	1	N	NA	NA	NA	NA	NA	NA	NA	NA	NA	NA	NA	NA	NA
-DS2	-XXX-EC-S	-1	1	1	-XXX-EC-C	NA	-XXX-EC-C	NA	-XXX-EC-C	NA	-XXX-EC-C	NA	-XXX-EC-C	NA	-XXX-EC-C	NA	
		-2	1	2	-XXX-EC-S	NA	-XXX-EC-S	NA	-XXX-EC-S	NA	-XXX-EC-S	NA	-XXX-EC-S	NA	-XXX-EC-S	NA	
		-3	1	N-1	NA	NA	NA	NA	NA	NA	NA	NA	NA	NA	NA	NA	NA
		-4	1	N	NA	NA	NA	NA	NA	NA	NA	NA	NA	NA	NA	NA	NA
		-5	1	1	-XXX-EC-C	NA	-XXX-EC-C	NA	-XXX-EC-C	NA	-XXX-EC-C	NA	-XXX-EC-C	NA	-XXX-EC-C	NA	
		-6	1	2	-XXX-EC-S	NA	-XXX-EC-S	NA	-XXX-EC-S	NA	-XXX-EC-S	NA	-XXX-EC-S	NA	-XXX-EC-S	NA	
		-7	1	N-1	NA	NA	NA	NA	NA	NA	NA	NA	NA	NA	NA	NA	NA
		-8	1	N	NA	NA	NA	NA	NA	NA	NA	NA	NA	NA	NA	NA	NA
-RA1	-XXX-EC-S	-1	1	1	NA	-XXX-EC-C	NA	-XXX-EC-C	NA	-XXX-EC-C	NA	-XXX-EC-C	NA	-XXX-EC-C	NA	-XXX-EC-C	NA
		-2	1	2	NA	-XXX-EC-S	NA	-XXX-EC-S	NA	-XXX-EC-S	NA	-XXX-EC-S	NA	-XXX-EC-S	NA	-XXX-EC-S	NA
		-3	1	N-1	NA	NA	NA	NA	NA	NA	NA	NA	NA	NA	NA	NA	NA
		-4	1	N	NA	NA	NA	NA	NA	NA	NA	NA	NA	NA	NA	NA	NA
		-5	1	1	NA	-XXX-EC-C	NA	-XXX-EC-C	NA	-XXX-EC-C	NA	-XXX-EC-C	NA	-XXX-EC-C	NA	-XXX-EC-C	NA
		-6	1	2	NA	-XXX-EC-S	NA	-XXX-EC-S	NA	-XXX-EC-S	NA	-XXX-EC-S	NA	-XXX-EC-S	NA	-XXX-EC-S	NA
		-7	1	N-1	NA	NA	NA	NA	NA	NA	NA	NA	NA	NA	NA	NA	NA
		-8	1	N	NA	NA	NA	NA	NA	NA	NA	NA	NA	NA	NA	NA	NA
-RA2	-XXX-EC-S	-1	1	1	-XXX-EC-C	NA	-XXX-EC-C	NA	-XXX-EC-C	NA	-XXX-EC-C	NA	-XXX-EC-C	NA	-XXX-EC-C	NA	
		-2	1	2	-XXX-EC-S	NA	-XXX-EC-S	NA	-XXX-EC-S	NA	-XXX-EC-S	NA	-XXX-EC-S	NA	-XXX-EC-S	NA	
		-3	1	N-1	NA	NA	NA	NA	NA	NA	NA	NA	NA	NA	NA	NA	NA
		-4	1	N	NA	NA	NA	NA	NA	NA	NA	NA	NA	NA	NA	NA	NA
		-5	1	1	-XXX-EC-C	NA	-XXX-EC-C	NA	-XXX-EC-C	NA	-XXX-EC-C	NA	-XXX-EC-C	NA	-XXX-EC-C	NA	
		-6	1	2	-XXX-EC-S	NA	-XXX-EC-S	NA	-XXX-EC-S	NA	-XXX-EC-S	NA	-XXX-EC-S	NA	-XXX-EC-S	NA	
		-7	1	N-1	NA	NA	NA	NA	NA	NA	NA	NA	NA	NA	NA	NA	NA
		-8	1	N	NA	NA	NA	NA	NA	NA	NA	NA	NA	NA	NA	NA	NA
-RS1	-XXX-EC-S	-1	1	1	NA	-XXX-EC-C	NA	-XXX-EC-C	NA	-XXX-EC-C	NA	-XXX-EC-C	NA	-XXX-EC-C	NA	-XXX-EC-C	NA
		-2	1	2	NA	-XXX-EC-S	NA	-XXX-EC-S	NA	-XXX-EC-S	NA	-XXX-EC-S	NA	-XXX-EC-S	NA	-XXX-EC-S	NA
		-3	1	N-1	NA	NA	NA	NA	NA	NA	NA	NA	NA	NA	NA	NA	NA
		-4	1	N	NA	NA	NA	NA	NA	NA	NA	NA	NA	NA	NA	NA	NA
		-5	1	1	NA	-XXX-EC-C	NA	-XXX-EC-C	NA	-XXX-EC-C	NA	-XXX-EC-C	NA	-XXX-EC-C	NA	-XXX-EC-C	NA
		-6	1	2	NA	-XXX-EC-S	NA	-XXX-EC-S	NA	-XXX-EC-S	NA	-XXX-EC-S	NA	-XXX-EC-S	NA	-XXX-EC-S	NA
		-7	1	N-1	NA	NA	NA	NA	NA	NA	NA	NA	NA	NA	NA	NA	NA
		-8	1	N	NA	NA	NA	NA	NA	NA	NA	NA	NA	NA	NA	NA	NA
-RS2	-XXX-EC-S	-1	1	1	-XXX-EC-C	NA	-XXX-EC-C	NA	-XXX-EC-C	NA	-XXX-EC-C	NA	-XXX-EC-C	NA	-XXX-EC-C	NA	
		-2	1	2	-XXX-EC-S	NA	-XXX-EC-S	NA	-XXX-EC-S	NA	-XXX-EC-S	NA	-XXX-EC-S	NA	-XXX-EC-S	NA	
		-3	1	N-1	NA	NA	NA	NA	NA	NA	NA	NA	NA	NA	NA	NA	NA
		-4	1	N	NA	NA	NA	NA	NA	NA	NA	NA	NA	NA	NA	NA	NA
		-5	1	1	-XXX-EC-C	NA	-XXX-EC-C	NA	-XXX-EC-C	NA	-XXX-EC-C	NA	-XXX-EC-C	NA	-XXX-EC-C	NA	
		-6	1	2	-XXX-EC-S	NA	-XXX-EC-S	NA	-XXX-EC-S	NA	-XXX-EC-S	NA	-XXX-EC-S	NA	-XXX-EC-S	NA	
		-7	1	N-1	NA	NA	NA	NA	NA	NA	NA	NA	NA	NA	NA	NA	NA
		-8	1	N	NA	NA	NA	NA	NA	NA	NA	NA	NA	NA	NA	NA	NA
-LV1	-XXX-EC-S	-1	1	1	NA	-XXX-EC-C	NA	-XXX-EC-C	NA	-XXX-EC-C	NA	-XXX-EC-C	NA	-XXX-EC-C	NA	-XXX-EC-C	NA
		-2	1	2	NA	-XXX-EC-S	NA	-XXX-EC-S	NA	-XXX-EC-S	NA	-XXX-EC-S	NA	-XXX-EC-S	NA	-XXX-EC-S	NA
		-3	1	N-1	NA	NA	NA	NA	NA	NA	NA	NA	NA	NA	NA	NA	NA
		-4	1	N	NA	NA	NA	NA	NA	NA	NA	NA	NA	NA	NA	NA	NA
		-5	1	1	NA	-XXX-EC-C	NA	-XXX-EC-C	NA	-XXX-EC-C	NA	-XXX-EC-C	NA	-XXX-EC-C	NA	-XXX-EC-C	NA
		-6	1	2	NA	-XXX-EC-S	NA	-XXX-EC-S	NA	-XXX-EC-S	NA	-XXX-EC-S	NA	-XXX-EC-S	NA	-XXX-EC-S	NA
		-7	1	N-1	NA	NA	NA	NA	NA	NA	NA	NA	NA	NA	NA	NA	NA
		-8	1	N	NA	NA	NA	NA	NA	NA	NA	NA	NA	NA	NA	NA	NA
-LV2	-XXX-EC-S	-1	1	1	-XXX-EC-C	NA	-XXX-EC-C	NA	-XXX-EC-C	NA	-XXX-EC-C	NA	-XXX-EC-C	NA	-XXX-EC-C	NA	
		-2	1	2	-XXX-EC-S	NA	-XXX-EC-S	NA	-XXX-EC-S	NA	-XXX-EC-S	NA	-XXX-EC-S	NA	-XXX-EC-S	NA	
		-3	1	N-1	NA	NA	NA	NA	NA	NA	NA	NA	NA	NA	NA	NA	NA
		-4	1	N	NA	NA	NA	NA	NA	NA	NA	NA	NA	NA	NA	NA	NA
		-5	1	1	-XXX-EC-C	NA	-XXX-EC-C	NA	-XXX-EC-C	NA	-XXX-EC-C	NA	-XXX-EC-C	NA	-XXX-EC-C	NA	
		-6	1	2	-XXX-EC-S	NA	-XXX-EC-S	NA	-XXX-EC-S	NA	-XXX-EC-S	NA	-XXX-EC-S	NA	-XXX-EC-S	NA	
		-7	1	N-1	NA	NA	NA	NA	NA	NA	NA	NA	NA	NA	NA	NA	NA
		-8	1	N	NA	NA	NA	NA	NA	NA	NA	NA	NA	NA	NA	NA	NA
-RL1	-XXX-EC-S	-1	1	1	NA	-XXX-EC-C	NA	-XXX-EC-C	NA	-XXX-EC-C	NA	-XXX-EC-C	NA	-XXX-EC-C	NA	-XXX-EC-C	NA
		-2	1	2	NA	-XXX-EC-S	NA	-XXX-EC-S	NA	-XXX-EC-S	NA	-XXX-EC-S	NA	-XXX-EC-S	NA	-XXX-EC-S	NA
		-3	1	N-1	NA	NA	NA	NA	NA	NA	NA	NA	NA	NA	NA	NA	NA
		-4	1	N	NA	NA	NA	NA	NA	NA	NA	NA	NA	NA	NA	NA	NA
		-5	1	1	NA	-XXX-EC-C	NA	-XXX-EC-C	NA	-XXX-EC-C	NA	-XXX-EC-C	NA	-XXX-EC-C	NA	-XXX-EC-C	NA
		-6	1	2	NA	-XXX-EC-S	NA	-XXX-EC-S	NA	-XXX-EC-S	NA	-XXX-EC-S	NA	-XXX-EC-S	NA	-XXX-EC-S	NA
		-7	1	N-1	NA	NA	NA	NA	NA	NA	NA	NA	NA	NA	NA	NA	NA
		-8	1	N	NA	NA	NA	NA	NA	NA	NA	NA	NA	NA	NA	NA	NA
-RL2	-XXX-EC-S	-1	1	1	-XXX-EC-C	NA	-XXX-EC-C	NA	-XXX-EC-C	NA	-XXX-EC-C	NA	-XXX-EC-C	NA	-XXX-EC-C	NA	
		-2	1	2	-XXX-EC-S	NA	-XXX-EC-S	NA	-XXX-EC-S	NA	-XXX-EC-S	NA	-XXX-EC-S	NA	-XXX-EC-S	NA	
		-3	1	N-1	NA	NA	NA	NA	NA	NA	NA	NA	NA	NA	NA	NA	NA
		-4	1	N	NA	NA	NA	NA	NA	NA	NA	NA	NA	NA	NA	NA	NA
		-5	1	1	-XXX-EC-C	NA	-XXX-EC-C	NA	-XXX-EC-C	NA	-XXX-EC-C	NA	-XXX-EC-C	NA	-XXX-EC-C	NA	
		-6	1	2	-XXX-EC-S	NA	-XXX-EC-S	NA	-XXX-EC-S	NA	-XXX-EC-S	NA	-XXX-EC-S	NA	-XXX-EC-S	NA	
		-7	1	N-1	NA	NA	NA	NA	NA	NA	NA	NA	NA	NA	NA	NA	NA
		-8	1	N	NA	NA	NA	NA	NA	NA	NA	NA	NA	NA	NA	NA	NA



F:\DVG\MISC\MKTG\EEDP-XXX-XX-XXX-XXX-X-MKT.SLDRDW

**PROPRIETARY NOTE**

THIS DOCUMENT CONTAINS CONFIDENTIAL AND PROPRIETARY INFORMATION AND ALL DESIGN, MANUFACTURING, REPRODUCTION, USE, PATENT RIGHTS AND SALES RIGHTS ARE EXPRESSLY RESERVED BY SAMTEC, INC. THIS DOCUMENT SHALL NOT BE DISCLOSED, IN WHOLE OR PART, TO ANY UNAUTHORIZED PERSON OR ENTITY NOR REPRODUCED, TRANSFERRED OR INCORPORATED IN ANY OTHER PUBLICATION IN ANY MANNER WITHOUT THE EXPRESS WRITTEN CONSENT OF SAMTEC, INC.

**samtec**

520 PARK EAST BLVD. NEW ALBANY, IN 47150  
PHONE: 812-944-6733 FAX: 812-948-5047  
e-Mail: info@SAMTEC.com code 53322

DO NOT SCALE DRAWING

SHEET SCALE: 1:25:1

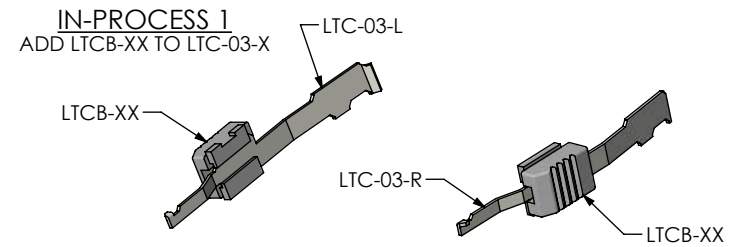
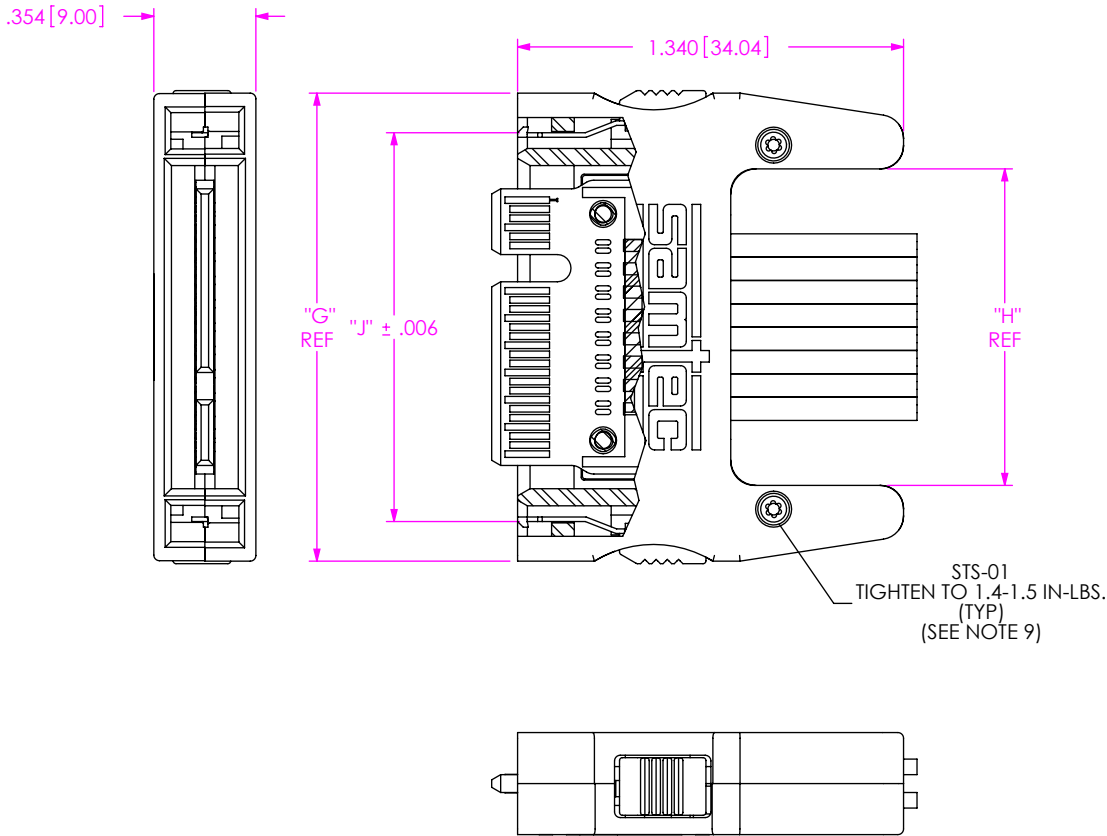
DESCRIPTION:  
TWIN-AX EDGE CARD CABLE ASSEMBLY

DWG. NO.  
EEDP-XXX-XX.XX-XXX-XXX-X

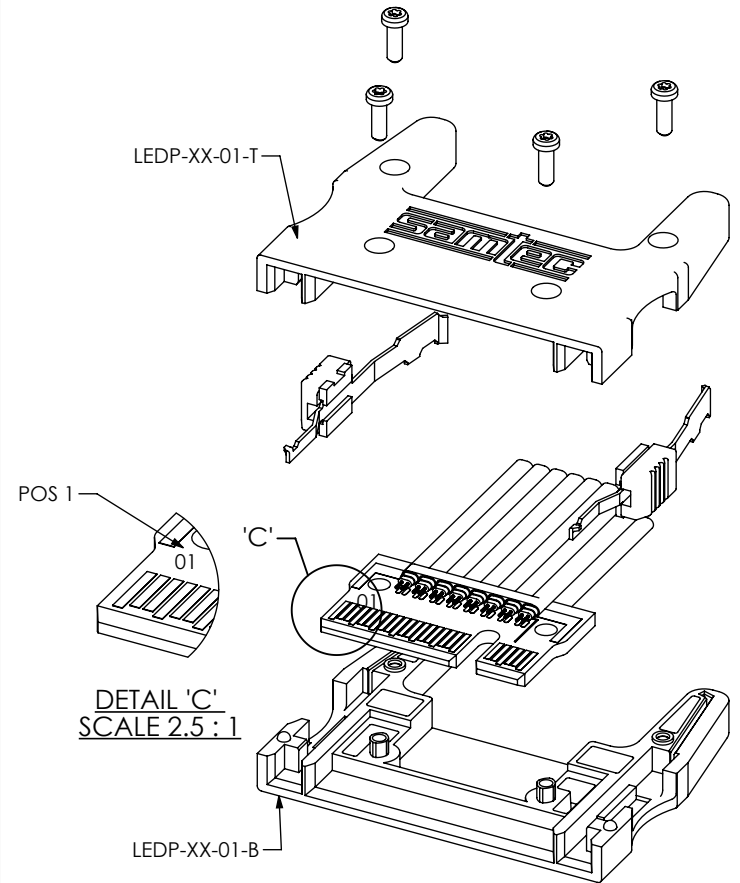
BY: BRATCHER 09/25/2003 SHEET 8 OF 11



**FIG 5**  
 -LVX: DOUBLE VERTICAL WITH LATCHES  
 (EEDP-016-XX.XX-LV2-XXX-X SHOWN)  
 (SAME AS FIG 1, UNLESS OTHERWISE STATED)



**IN-PROCESS 2**  
 VERIFY PIN 1 LOCATION ON PCB PRIOR TO ADDING LEDP HOUSINGS



**TABLE 6**

No. OF PAIRS	"G"	"H"	"J"	LEDP-XX-01-T	LEDP-XX-01-B
-008	1.254 [31.85]	.724 [18.40]	.982 [24.94]	LEDP-08-01-T	LEDP-08-01-B
-016	1.632 [41.45]	1.102 [28.00]	1.360 [34.54]	LEDP-16-01-T	LEDP-16-01-B
-024	2.010 [51.05]	1.480 [37.60]	1.738 [44.15]	LEDP-24-01-T	LEDP-24-01-B
-032	2.388 [60.65]	1.858 [47.20]	2.116 [53.75]	LEDP-32-01-T	LEDP-32-01-B

**PROPRIETARY NOTE**  
 THIS DOCUMENT CONTAINS CONFIDENTIAL AND PROPRIETARY INFORMATION AND ALL DESIGN, MANUFACTURING, REPRODUCTION, USE, PATENT RIGHTS AND SALES RIGHTS ARE EXPRESSLY RESERVED BY SAMTEC, INC. THIS DOCUMENT SHALL NOT BE DISCLOSED, IN WHOLE OR PART, TO ANY UNAUTHORIZED PERSON OR ENTITY NOR REPRODUCED, TRANSFERRED OR INCORPORATED IN ANY OTHER PROJECT IN ANY MANNER WITHOUT THE EXPRESS WRITTEN CONSENT OF SAMTEC, INC.



520 PARK EAST BLVD, NEW ALBANY, IN 47150  
 PHONE: 812-944-6733 FAX: 812-948-5047  
 e-Mail info@SAMTEC.com code 55322

DO NOT SCALE DRAWING

SHEET SCALE: 1:25:1

DESCRIPTION:  
 TWIN-AX EDGE CARD CABLE ASSEMBLY

DWG. NO.  
**EEDP-XXX-XX.XX-XXX-XXX-X**

BY: BRATCHER 09/25/2003 SHEET 9 OF 11

TABLE 7

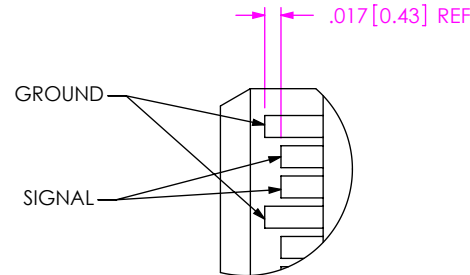
No OF PAIRS	POSITIONS																																																																
-008	1	3	5	7	9	11					13	15	17	19	21	23	25																																																
	G	S	S	G	S	S	KEY				G	S	S	G	S	S	G																																																
	G	S	S	G	S	S	(SEE NOTE 8)				G	S	S	G	S	S	G																																																
	2	4	6	8	10	12					14	16	18	20	22	24	26																																																
-016	1	3	5	7	9	11					13	15	17	19	21	23	25	27	29	31	33	35	37	39	41	43	45	47	49																																				
	G	S	S	G	S	S	KEY				G	S	S	G	S	S	G	S	S	G	S	S	G	S	S	G	S	S	G	S	S	G																																	
	G	S	S	G	S	S	(SEE NOTE 8)				G	S	S	G	S	S	G	S	S	G	S	S	G	S	S	G	S	S	G	S	S	G	S	S	G																														
	2	4	6	8	10	12					14	16	18	20	22	24	26	28	30	32	34	36	38	40	42	44	46	48	50																																				
-024	1	3	5	7	9	11	13	15	17	19	21	23	25	27	29	31	33	35	37	39	41					43	45	47	49	51	53	55	57	59	61	63	65	67	69	71	73																								
	G	S	S	G	S	S	G	S	S	G	S	S	G	S	S	G	S	S	G	S	S	G	S	S	KEY				G	S	S	G	S	S	G	S	S	G	S	S	G	S	S	G																					
	G	S	S	G	S	S	G	S	S	G	S	S	G	S	S	G	S	S	G	S	S	G	S	S	(SEE NOTE 8)				G	S	S	G	S	S	G	S	S	G	S	S	G	S	S	G																					
	2	4	6	8	10	12	14	16	18	20	22	24	26	28	30	32	34	36	38	40	42					44	46	48	50	52	54	56	58	60	62	64	66	68	70	72	74																								
-032	1	3	5	7	9	11	13	15	17	19	21	23	25	27	29	31	33	35	37	39	41	43	45	47	49	51	53					55	57	59	61	63	65	67	69	71	73	75	77	79	81	83	85	87	89	91	93	95	97												
	G	S	S	G	S	S	G	S	S	G	S	S	G	S	S	G	S	S	G	S	S	G	S	S	G	S	S	KEY				G	S	S	G	S	S	G	S	S	G	S	S	G	S	S	G	S	S	G	S	S	G												
	G	S	S	G	S	S	G	S	S	G	S	S	G	S	S	G	S	S	G	S	S	G	S	S	G	S	S	(SEE NOTE 8)				G	S	S	G	S	S	G	S	S	G	S	S	G	S	S	G	S	S	G	S	S	G												
	2	4	6	8	10	12	14	16	18	20	22	24	26	28	30	32	34	36	38	40	42	44	46	48	50	52	54					56	58	60	62	64	66	68	70	72	74	76	78	80	82	84	86	88	90	92	94	96	98												

TABLE 8

No. OF PAIRS	No OF POSITIONS PER ROW (CONNECTOR)
-008	13
-016	25
-024	37
-032	49

TABLE 9

END OPTION	MATING CONNECTOR
-DVX, -DSX	HSEC8-1XX-01-S-DV-X or HSEC8-1XX-01-S-D-EM2
-RXX	MEC8-1XX-02-L-D-RA1
-LVX	HSEC8-1XX-01-S-DV-X-L or HSEC8-1XX-01-S-D-EM2L



DETAIL 'B'  
SCALE 5:1

(SEE TABLE 6)

PROPRIETARY NOTE

THIS DOCUMENT CONTAINS CONFIDENTIAL AND PROPRIETARY INFORMATION AND ALL DESIGN, MANUFACTURING, REPRODUCTION, USE, PATENT RIGHTS AND SALES RIGHTS ARE EXPRESSLY RESERVED BY SAMTEC, INC. THIS DOCUMENT SHALL NOT BE DISCLOSED, IN WHOLE OR PART, TO ANY UNAUTHORIZED PERSON OR ENTITY NOR REPRODUCED, TRANSFERRED OR INCORPORATED IN ANY OTHER PROJECT IN ANY MANNER WITHOUT THE EXPRESS WRITTEN CONSENT OF SAMTEC, INC.



520 PARK EAST BLVD, NEW ALBANY, IN 47150  
PHONE: 812-944-6733 FAX: 812-948-5047  
e-Mail info@SAMTEC.com code 55322

DO NOT SCALE DRAWING

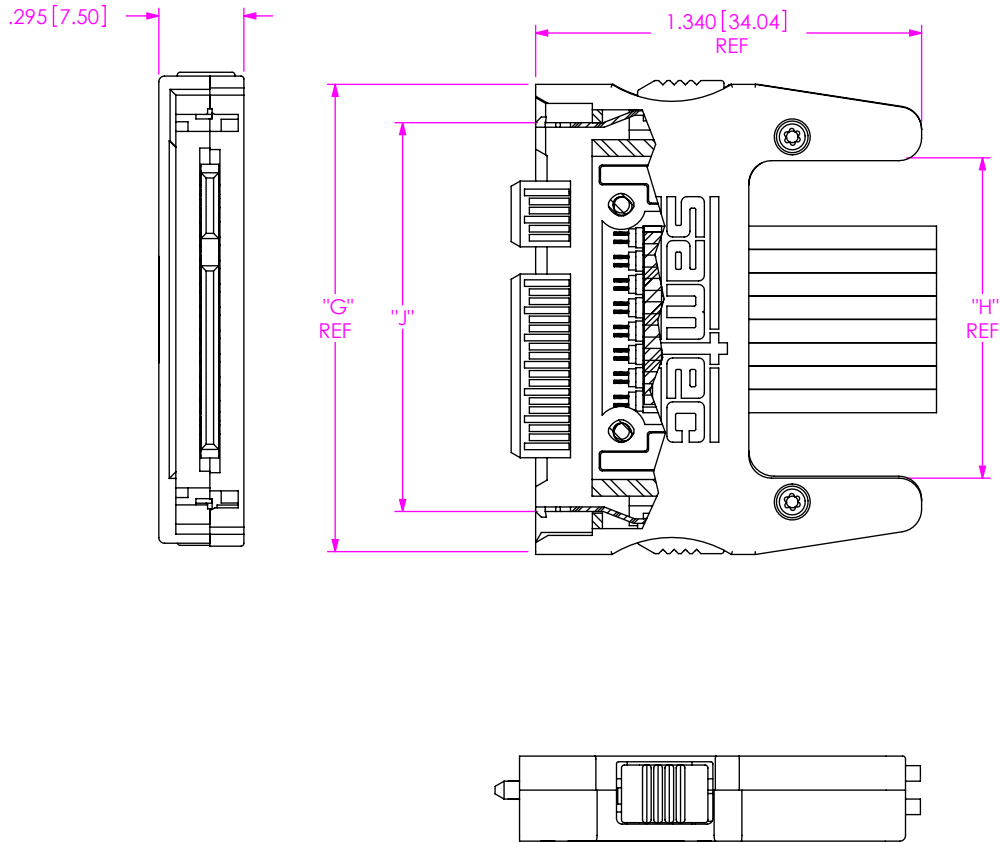
SHEET SCALE: 1:25:1

DESCRIPTION:  
TWIN-AX EDGE CARD CABLE ASSEMBLY

DWG. NO.  
EEDP-XXX-XX.XX-XXX-XXX-X

BY: BRATCHER 09/25/2003 SHEET 10 OF 11

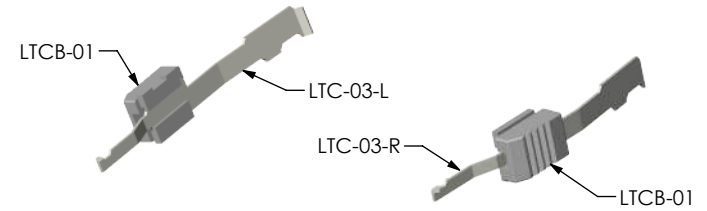
**FIG 6**  
 -RLX: RIGHT ANGLE WITH LATCHES  
 (EEDP-016-XX.XX-RL1-XXX-X SHOWN)  
 (SAME AS FIG 1, UNLESS OTHERWISE STATED)



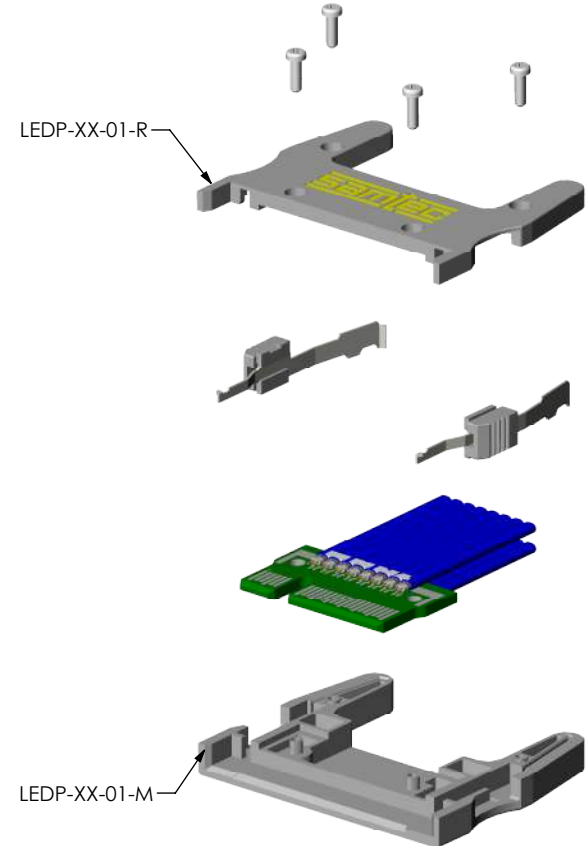
**TABLE 7**

No. OF PAIRS	"G"	"H"	"J"	LEDP-XX-01-R	LEDP-XX-01-M
-008	1.254 [31.85]	.724 [18.40]	.986 [25.05]	LEDP-08-01-R	LEDP-08-01-M
-016	1.632 [41.45]	1.102 [28.00]	1.364 [34.65]	LEDP-16-01-R	LEDP-16-01-M
-024	2.010 [51.05]	1.480 [37.60]	1.742 [44.25]	LEDP-24-01-R	LEDP-24-01-M
-032	2.388 [60.65]	1.858 [47.20]	2.120 [53.85]	LEDP-32-01-R	LEDP-32-01-M

IN-PROCESS 1  
 ADD LTCB-01 TO LTC-03-X



IN-PROCESS 2



**PROPRIETARY NOTE**  
 THIS DOCUMENT CONTAINS CONFIDENTIAL AND PROPRIETARY INFORMATION AND ALL DESIGN, MANUFACTURING, REPRODUCTION, USE, PATENT RIGHTS AND SALES RIGHTS ARE EXPRESSLY RESERVED BY SAMTEC, INC. THIS DOCUMENT SHALL NOT BE DISCLOSED, IN WHOLE OR PART, TO ANY UNAUTHORIZED PERSON OR ENTITY NOR REPRODUCED, TRANSFERRED OR INCORPORATED IN ANY OTHER PROJECT IN ANY MANNER WITHOUT THE EXPRESS WRITTEN CONSENT OF SAMTEC, INC.



520 PARK EAST BLVD, NEW ALBANY, IN 47150  
 PHONE: 812-944-6733 FAX: 812-948-5047  
 e-Mail info@SAMTEC.com code 55322

DO NOT SCALE DRAWING

SHEET SCALE: 1:25:1

DESCRIPTION:  
 TWIN-AX EDGE CARD CABLE ASSEMBLY

DWG. NO.  
**EEDP-XXX-XX.XX-XXX-XXX-X**

BY: BRATCHER 09/25/2003 SHEET 11 OF 11