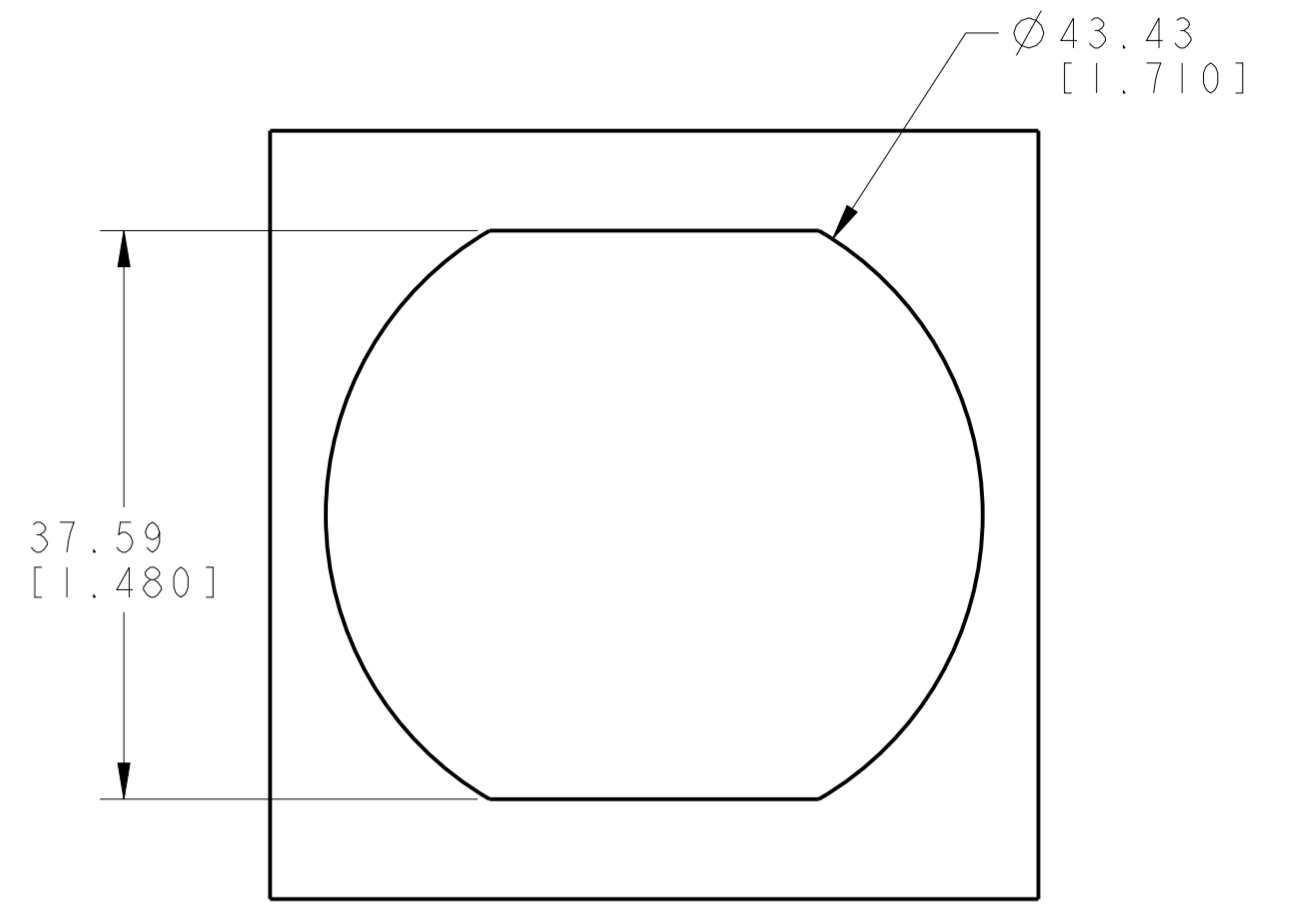
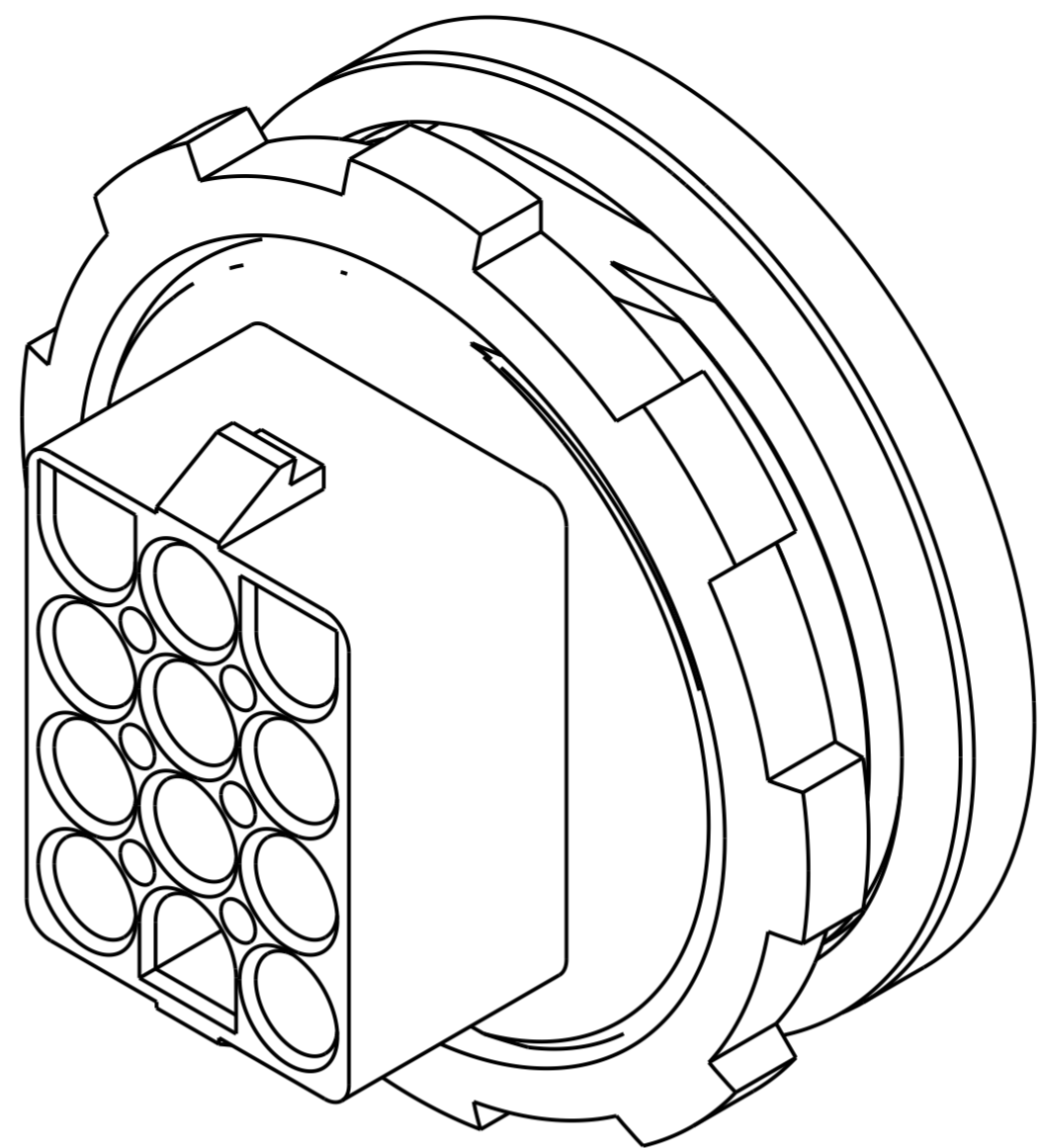
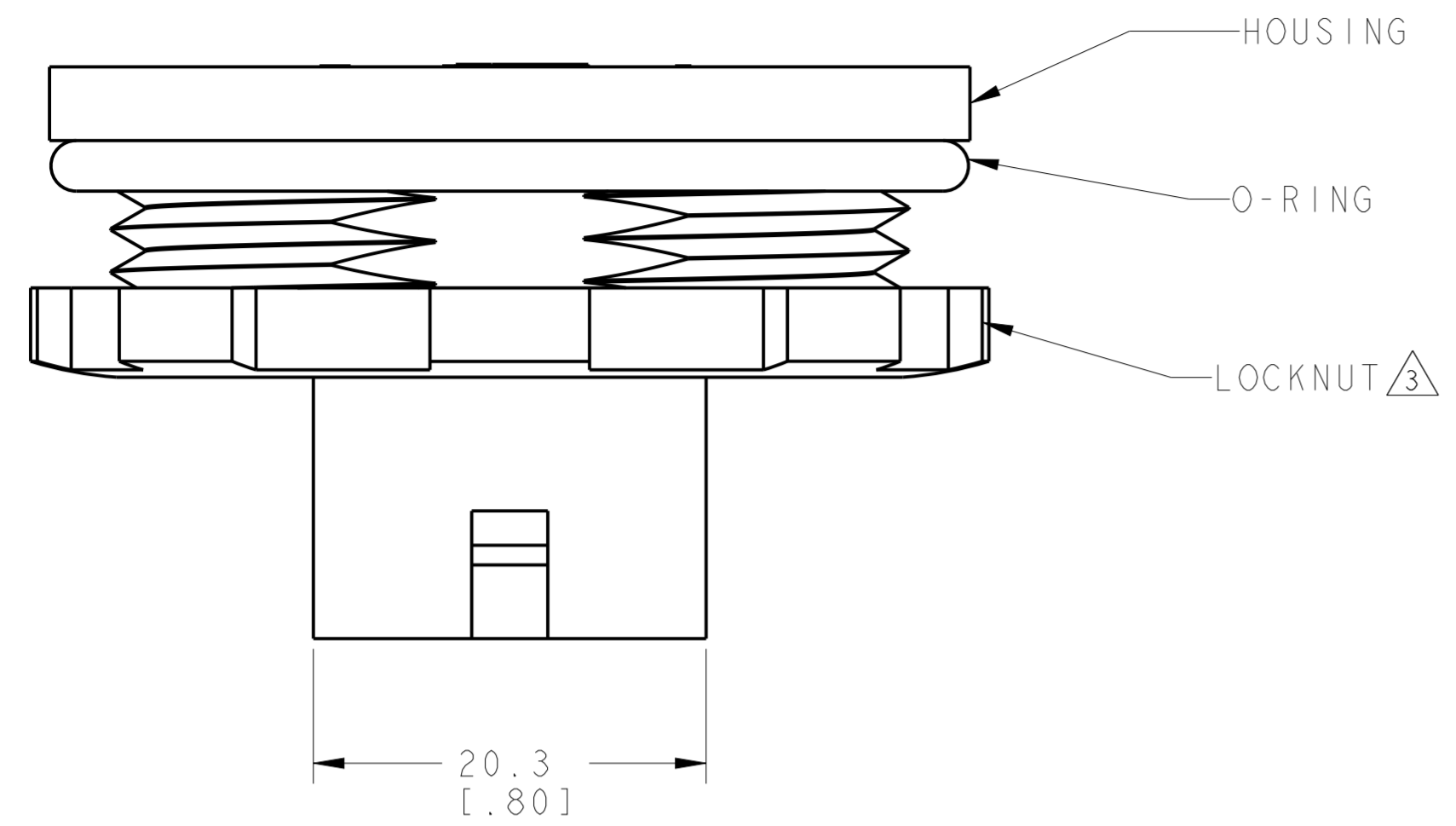
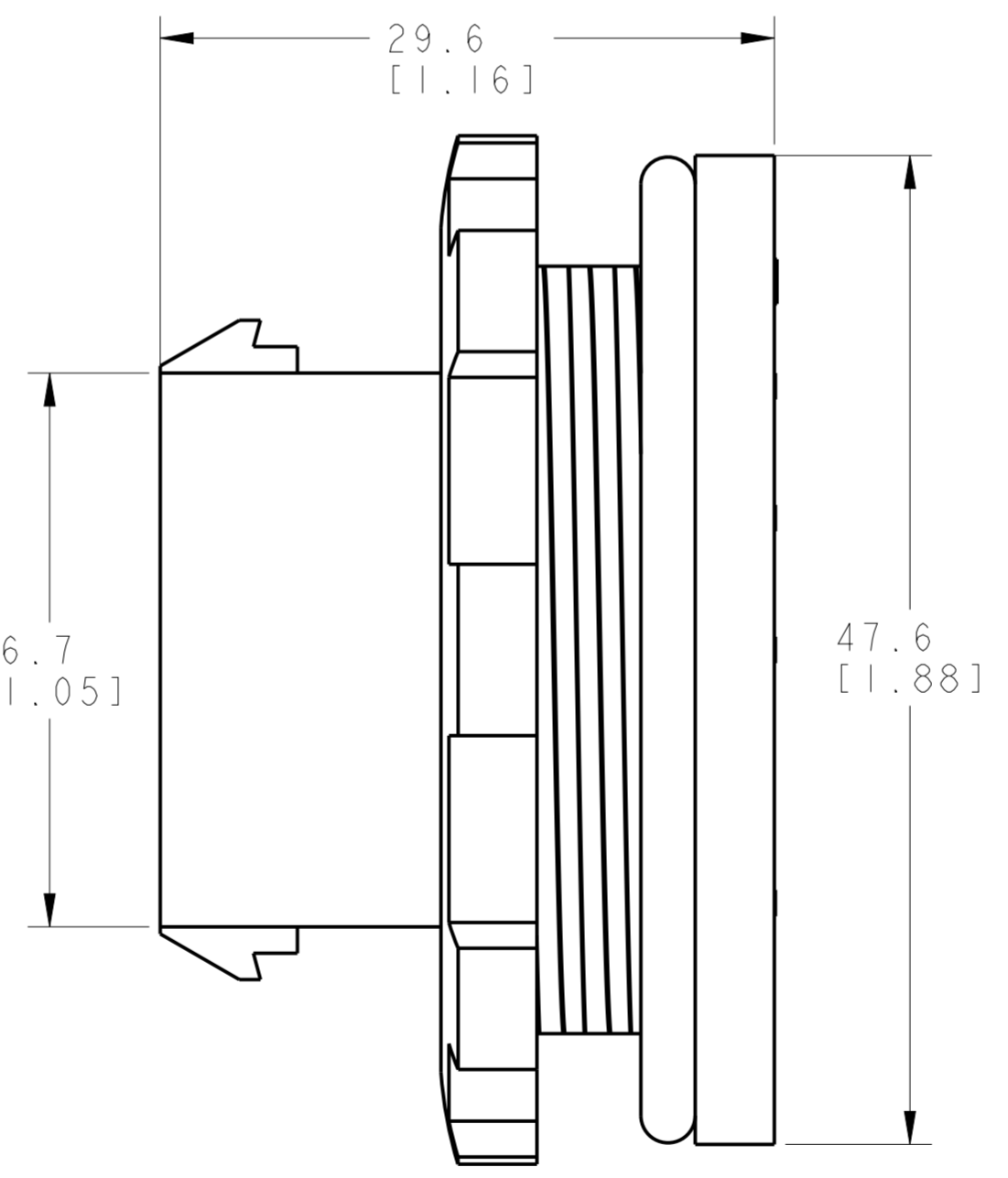
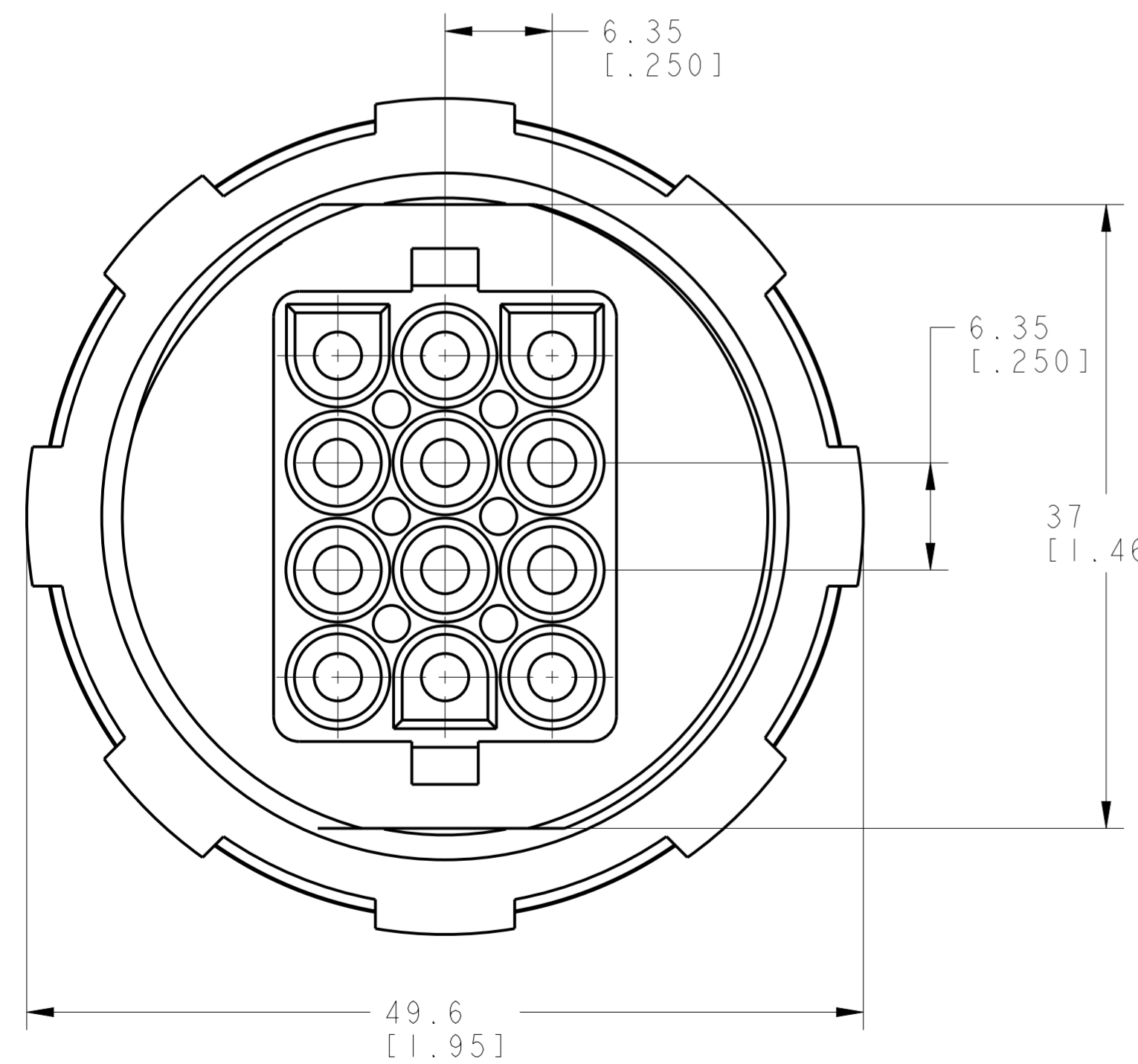


THIS DRAWING IS UNPUBLISHED. RELEASED FOR PUBLICATION 20  
 © COPYRIGHT 20 ALL RIGHTS RESERVED.

REVISIONS				
P	LTR	DESCRIPTION	DATE	APVD
A1		REVISED PER ECR-17-015449	25OCT2017	BDA KR
A2		REVISED PER ECO-20-008510	17JUN2020	WLS DZ
A3		REVISED PER ECN-20-100768	03DEC2020	WLS VS
B		REVISED PER ECN-21-103649	10MAY2021	WLS VS



SCALE 2:1  
RECOMMENDED  
PANEL CUT-OUT



- $\triangle 1$  LOCKNUT : METAL  
HOUSING : NYLON, FLAME RETARDANT, UL94-V0  
O-RING : NEOPRENE BLACK (-1) OR SILICONE RUBBER RED (1- -1)
- $\triangle 2$  LOCKNUT : PLATED
- $\triangle 3$  LOCKNUT, SIX(6) OR EIGHT(8) SYMETRICAL PLACED GRIP POINTS PERMISSIBLE.
- 4 DIMENSIONS SHOWN REPRESENT PRODUCT IN DRY, AS MOLDED, CONDITION. ADDITIONAL 2% GROWTH DUE TO SUBSEQUENT MOISTURE ABSORPTION MAY OCCUR AND SHOULD BE ACCOUNTED FOR.
- $\triangle 5$  ROHS COMPLIANT.

$\triangle 5$  1-1604941-1  
OBSOLETE 1604941-1  
PART NO

THIS DRAWING IS A CONTROLLED DOCUMENT.		DWN W J RUDY 12 JUN 03	<b>STE</b> TE Connectivity	
DIMENSIONS: mm [INCHES]		CHK JHW 12 JUN 03		
TOLERANCES UNLESS OTHERWISE SPECIFIED:		APVD JHW 12 JUN 03	NAME BULKHEAD CONNECTOR ASSEMBLY 12 CIRCUIT, UNIVERSAL MATE-N-LOK(TM)	
0 PLC ± 1 PLC ±0.5 [0.02] 2 PLC ±0.13 [0.005] 3 PLC ± 4 PLC ± ANGLES ± FINISH ±		PRODUCT SPEC -	SIZE A2	
MATERIAL $\triangle 1$		APPLICATION SPEC -	CAGE CODE 00779	DRAWING NO 1604941
		WEIGHT -	RESTRICTED TO	
		CUSTOMER DRAWING	SCALE 3:1	SHEET 1 OF 1
			REV B	