

Tous droits strictement reserves. Reproduction ou communication a des tiers interdite
 sous quelque forme que ce soit sans autorisation écrite du propriétaire.
 Propriete de c FCI. Droits de reproduction FCI.



PDM: Rev:A

STATUS: Released

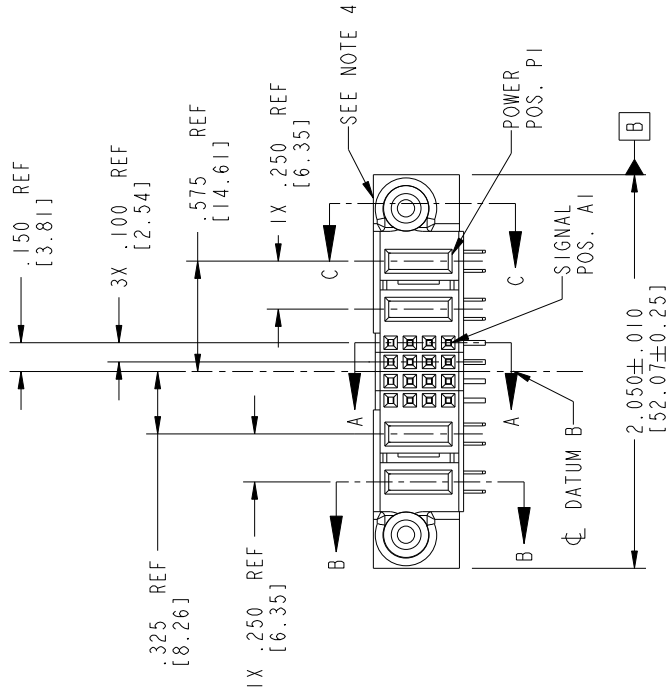
Printed: Dec 20, 2010

1 | 2

3 |

4

PRODUCT NO.	ROWS	POWER SGN POWER			
		P4	P3	P2	P1
51770-021 NOTE 3	D	HHHH	HHHH	PC	E1
	C	GGGG	GGGG	PA	PC
	B	FFFF	FFFF	PA	PC
	A	EEEE	EEEE		



mat'l code		SEE NOTE 2		tolerances unless otherwise specified		CUSTOMER		A FCI	
lhr	ecn no.	dr	date	linear	angles	dr	engr	chr	appd
A	DG05-0189	LH	06/24/05	$.XX \pm .01/0.X \pm 0.3$	$0 \pm 2^\circ$	LH	06/24/05	LH	06/24/05
				$.XXX \pm .005/0.XX \pm 0.13$		LH	06/24/05	VICTOR LIN	06/24/05
				$.XXX \pm .0020/0.XXX \pm 0.051$		JOSEPH HSTA	06/24/05	JOSEPH HSTA	06/24/05
sheet index	revision	A	A	A	A	A	A	A	A
	sheet	1	2	3	4				

CUSTOMER		A FCI	
COPY	projection	title	www.fciconnect.com
INCH/MM	scale	2P + 16S + 2P	
1:1	1:1	R/A SOLDER RECEPTACLE	
product family	product size	product family	code
51770-021	A	51770-021	213
dwg no	sheet	PwrBl code	1 of 4
213	1 of 4		

CODE	DIM "M" MATING LENGTH	CONTACT TYPE
PA	.042 [1.07]	POWER
H	N/A [N/A]	SIGNAL
G	N/A [N/A]	SIGNAL
F	N/A [N/A]	SIGNAL
E	N/A [N/A]	SIGNAL
PC	.092 [2.34]	POWER

1 | 2

3 |

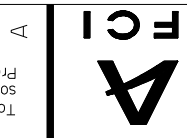
4

Pro/E

22526

PRODUCT NUMBER
51770-021--
NOTE (3)

Tous droits strictement reserves. Reproduction ou communication a des tiers interdite
sous quelque forme que ce soit sans autorisation écrite du propriétaire.
Propriete de c FCI. Droits de reproduction FCI.



PDM: Rev:A

STATUS: Released

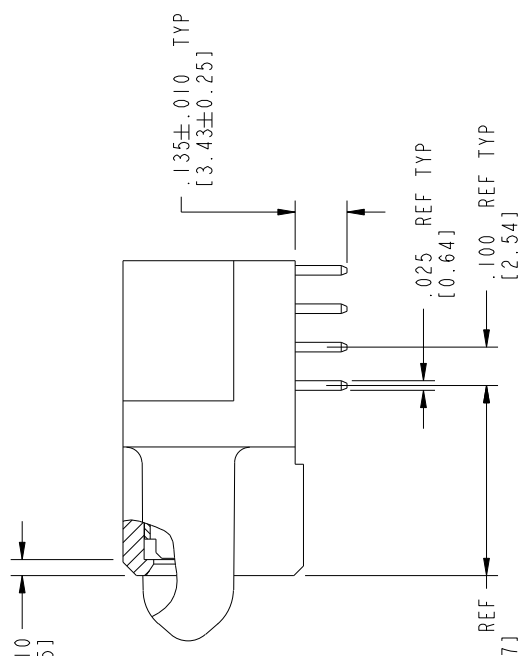
Printed: Dec 20, 2010

All rights strictly reserved. Reproduction or issue to third parties in any form whatever is not permitted without written authority from the proprietor.
Property of FCI. Copyright FCI.

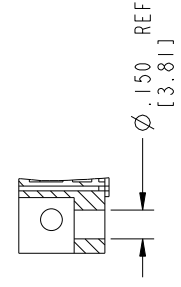
1 | 2

3 |

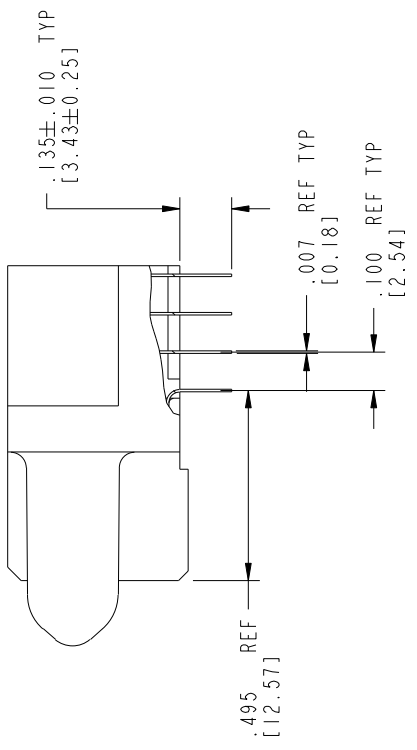
4



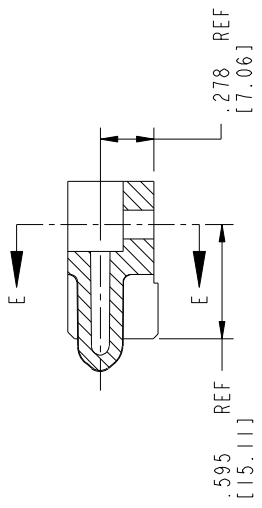
BROKEN-OUT SECTION B-B
SCALE 2:1



PARTIAL SECTION E-E



BROKEN-OUT SECTION A-A
SCALE 2:1



SECTION C-C

mat'l code		SEE NOTE 2		Tolerances unless otherwise specified		CUSTOMER		A FCI	
lir	ecn no.	dr	date	linear	.XX±.01/0.X±0.3	COPY	title	www.fciconnect.com	
A				angles	.XX±.005/0.XX±0.13	projection	R/A SOLDER RECEPTACLE	2P + 16S + 2P	
				dr	.XXX±.0020/0.XXX±0.051	INCH/MM	product family	R/A SOLDER RECEPTACLE	
				engr	0 ± 2°	scale	PwrBl code	code	
				chr	LH 06/24/05	1:1	size	213	
				appd	LH 06/24/05		sheet	2 of 4	
sheet index	revision	sheet			JOSEPH H S I A 06/24/05		A	51770-021	
								cage code 22526	

1 | 2

3 |

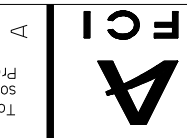
4

A

B

PRODUCT NUMBER
51770-021
NOTE ③

Tous droits strictement réservés. Reproduction ou communication a des tiers interdite
 Propriété de c FCI. Droits de reproduction FCI.
 sous quelque forme que ce soit sans autorisation écrite du propriétaire.

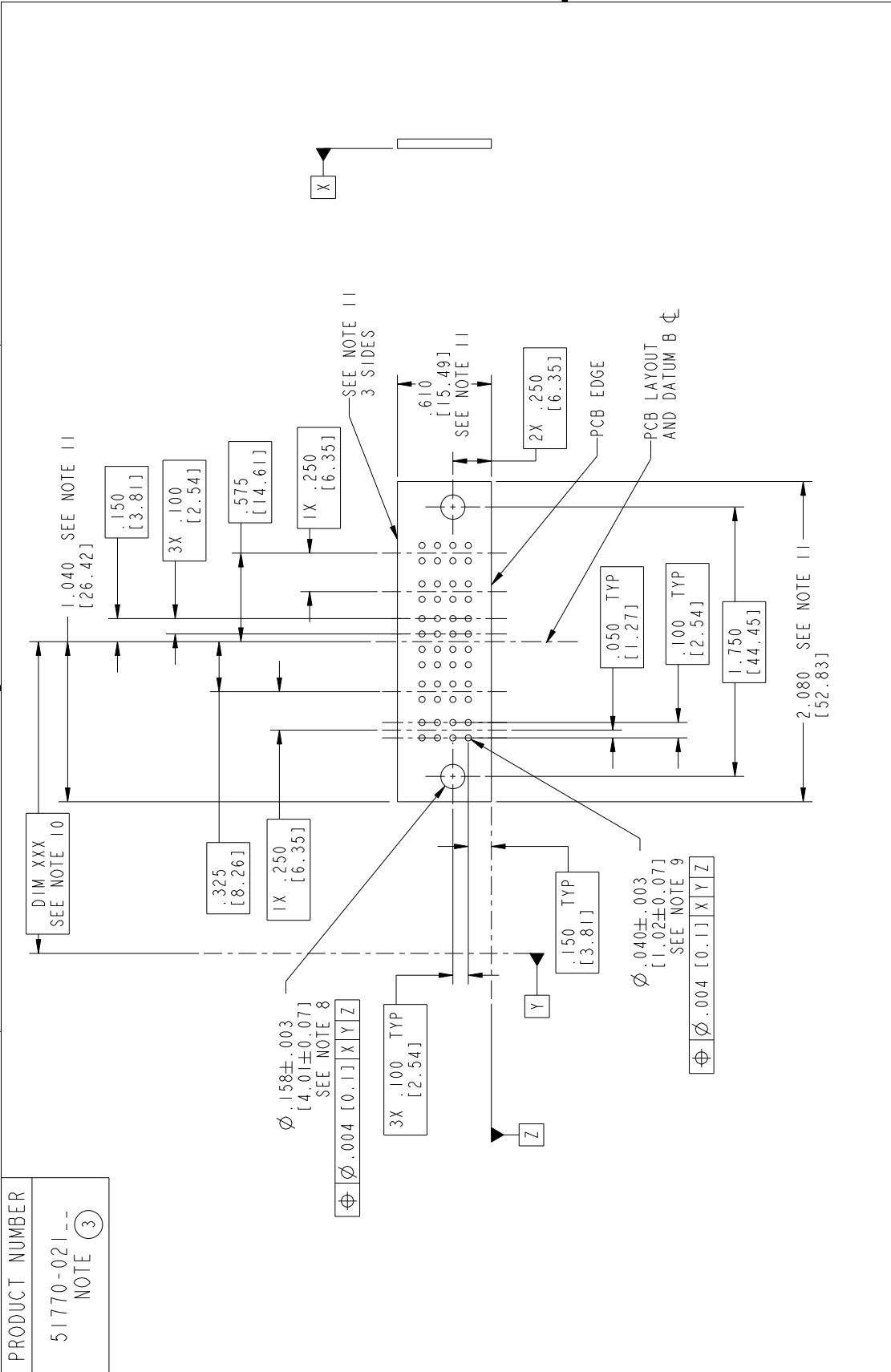


PDM: Rev:A

STATUS: Released

Printed: Dec 20, 2010

1 | 2 3 4



mat'l code		SEE NOTE 2		Tolerances unless otherwise specified		CUSTOMER		FCI	
lir	ecn no.	dr	date	linear	.XX±.01/0.X±0.3	COPY	title	www.fciconnect.com	R/A SOLDER RECEPTACLE
A				angles	.XX±.005/0.XX±0.13	projection	product family	2P + 16S + 2P	
				dr	.XX±.0020/0.XX±0.051	INCH/MM	product family	code	
				engr	0 ± 2	scale	size	213	sheet
				chr	LH 06/24/05	1:1	dwg no	A	3 of 4
				appd	LH 06/24/05			51770-021	
		revision			JOSEPH HSTA 06/24/05				
sheet index		sheet							

mat'l code		SEE NOTE 2		Tolerances unless otherwise specified		CUSTOMER		FCI	
lir	ecn no.	dr	date	linear	.XX±.01/0.X±0.3	COPY	title	www.fciconnect.com	R/A SOLDER RECEPTACLE
A				angles	.XX±.005/0.XX±0.13	projection	product family	2P + 16S + 2P	
				dr	.XX±.0020/0.XX±0.051	INCH/MM	product family	code	
				engr	0 ± 2	scale	size	213	sheet
				chr	LH 06/24/05	1:1	dwg no	A	3 of 4
				appd	JOSEPH HSTA 06/24/05				
		revision							
sheet index		sheet							

1 | 2 3 4

Pro/E

code code 22526

Property of FCI. Copyright FCI.
 Form whatever is not permitted without written authority from the proprietor.
 All rights strictly reserved. Reproduction or issue to third parties in any

PRODUCT NUMBER
51770-021
NOTE (3)

NOTES:

- 1. DIMENSIONS AND TOLERANCES ARE IN ACCORDANCE WITH ASME Y14.5M, 1994 UNLESS OTHERWISE SPECIFIED.

CONNECTOR NOTES:

- (2) HOUSING MATERIAL: UL 94 V-0 GLASS FILLED
HIGH-TEMP THERMOPLASTIC
POWER CONTACT MATERIAL: COPPER ALLOY
SIGNAL PIN MATERIAL: COPPER ALLOY

(3. PLATING:

- 51770-021: SIGNAL PIN: 30u" / 0.76um Au OVER 50u" / 1.27um Ni ON THE WHOLE AREA
AND 100u" / 2.54um SnPb OVER 50u" / 1.27um Ni ON THE TERMINATION AREA
POWER PIN: 30u" / 0.76um Au OVER 50u" / 1.27um Ni ON THE CONTACT AREA
AND 100u" / 2.54um SnPb OVER 50u" / 1.27um Ni ON THE TERMINATION AREA
- 51770-021LF: SIGNAL PIN: 30u" / 0.76um Au OVER 50u" / 1.27um Ni ON THE WHOLE AREA
AND 78u" / 2.00um Sn OVER 50u" / 1.27um Ni ON THE TERMINATION AREA
POWER PIN: 30u" / 0.76um Au OVER 50u" / 1.27um Ni ON THE CONTACT AREA
AND 78u" / 2.00um Sn OVER 50u" / 1.27um Ni ON THE TERMINATION AREA

PART NUMBER 51770-021LF MEETS EUROPEAN UNION DIRECTIVE AND OTHER COUNTRY REGULATIONS AS DESCRIBED IN GS-22-008.

THE HOUSING WILL WITHSTAND EXPOSURE TO 260° PEAK TEMPERATURE FOR 10 SECONDS IN A WAVE SOLDER APPLICATION WITH A CIRCUIT BOARD.

- (4) MANUFACTURER'S NAME, P/N, AND DATE CODE TO APPEAR ON THIS SURFACE.
- 5. PRODUCT SPECIFICATION GS-12-149.
- APPLICATION SPECIFICATION BUS-20-067.
- 6. PACKAGED IN TRAYS.

PCB NOTES:

- 7. ALL HOLE DIAMETERS ARE FINISHED HOLE SIZE.
- (8) MOUNTING HOLES, WHERE APPLICABLE, ARE UNPLATED.
- (9) $\varnothing .0453 \pm .0010$ [1.151 ± 0.025] DRILLED HOLES PLATED WITH .0003 [0.008] MIN SnPb OVER .001 [0.03] TO .003 [0.08] Cu PLATING TO ACHIEVE $\varnothing .040 \pm .003$ [1.02 ± .07] HOLE.
- (10) "DIM XXX" TO BE DETERMINED BY THE CUSTOMER.
- (11) CONNECTOR KEEP-OUT ZONE.



mat'l code		SEE NOTE 2		Tolerances unless otherwise specified		CUSTOMER		A FCI	
thr	ecm no.	dr	date	linear	angles	projection	COPY	title	www.fciconnect.com
A				.XX±.01/0.X±0.3	0 ± 2°	⊕		R/A SOLDER RECEPTACLE	
				.XX±.0020/0.XX±0.051				product family	2P + 16S + 2P
								size	213
								product family	R/A SOLDER RECEPTACLE
								dwg no	51770-021
								scale	1:1
								sheet	4 of 4
sheet index	revision	sheet							