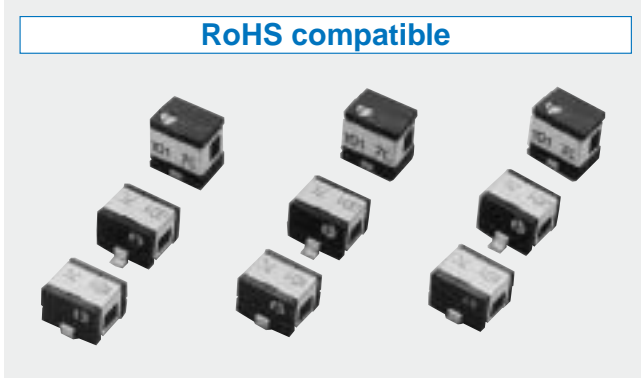


# SM-4

## SURFACE MOUNT CERMET TRIMMERS (12 TURNS)

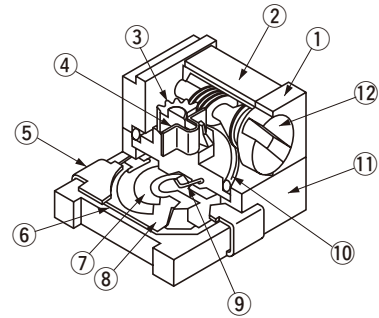
RoHS compatible



### FEATURES

- Lead-free soldering, Cadmium-free
- Fine adjustment is possible
- Automatic mounting is possible (Taping)
- Flow/reflow soldering is possible
- Sealed construction (Washable)

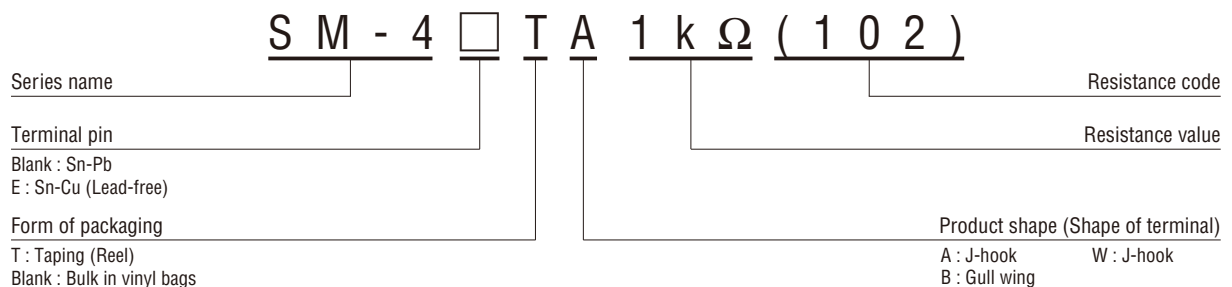
### INTERNAL STRUCTURE



Part name		Material	Flammability	
①	Housing	PPS (Polyphenylenesulphide)	UL-94V-0	
②	Cover	Stainless steel	—	
③	Rotor gear	PPS (Polyphenylenesulphide)	UL-94V-0	
④	Clutch spring	Stainless steel	—	
⑤	Terminal pin	Sn-Pb		Copper alloy, Solder-plated
		Sn-Cu		Copper, Sn-Cu-plated
⑥	Base element	Ceramic		
⑦	Resistive element	RuO <sub>2</sub> cermet		
⑧	Electrode	Ag-Pd cermet		
⑨	Wiper	Multi metal alloy		
⑩	“O” ring	Silicone rubber	UL-94HB	
⑪	Base	Epoxy	UL-94V-0	
⑫	Shaft	Metal	—	

CFCs, Halon, Carbon tetrachloride and designated bromic flame retardant PBBOs and PBBs are not used in our products.

### PART NUMBER DESIGNATION



✳ Please refer to the LIST OF PART NUMBERS when placing orders.

# SM-4 SURFACE MOUNT TRIMMERS

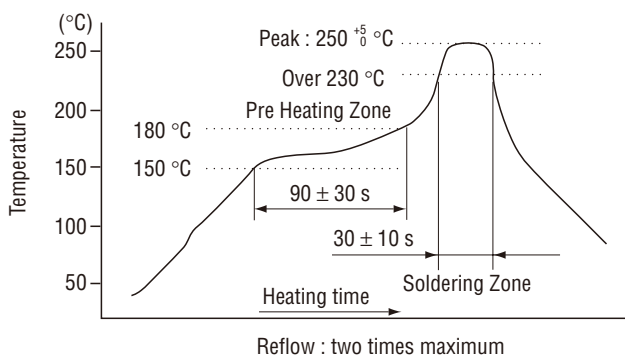
## LIST OF PART NUMBERS

Adjustment position	Shape of terminal	Form of packaging			
		Taping (reel)		Vinyl bag	
		Sn-Pb	Sn-Cu (Lead-free)	Sn-Pb	Sn-Cu (Lead-free)
Top adjustment	W (J-hook)	SM-4TW	SM-4ETW	SM-4W	SM-4EW
Side adjustment	A (J-hook)	SM-4TA	SM-4ETA	SM-4A	SM-4EA
	B (Gull wing)	SM-4TB	SM-4ETB	SM-4B	SM-4EB
Pieces in package		TW, ETW : 250 pcs./reel TA, ETA : 500 pcs./reel TB, ETB : 500 pcs./reel		50 pcs./pack	

## ELECTRICAL CHARACTERISTICS

Nominal resistance range	10 Ω ~ 2 MΩ
Resistance tolerance	± 10 %
Power ratings	0.25 W (85 °C) 0 W (150 °C)
Resistance law	Linear law (B)
Maximum input voltage	DC300 V or power rating, whichever is smaller
Maximum wiper current	100 mA or power rating, whichever is smaller
Effective electrical turn	10 turns
End resistance	1 % or 2 Ω, whichever is greater
C.R.V.	1 % or 3 Ω, whichever is greater
Operating temp. range	-65 ~ 150 °C
Temp. coefficient	±100 10 <sup>-6</sup> /°C maximum
Insulation resistance	1000 MΩ minimum (DC500 V)
Dielectric strength	AC600 V, 60 s
Net weight	Approx. 0.2 g

### <Reflow profile for soldering heat evaluation>



### <Nominal resistance values>

10 Ω	20 Ω	50 Ω	100 Ω	200 Ω	500 Ω	1 kΩ	2 kΩ	5 kΩ
10 kΩ	20 kΩ	50 kΩ	100 kΩ	200 kΩ	500 kΩ	1 MΩ	2 MΩ	

Fig. 1

The products indicated by ↻ mark are manufactured upon receipt of order basis.

- \* : The above part numbers are all available with the respective combination of <Nominal resistance values> (Fig. 1).
- \* : Verify the above part numbers when placing orders.
- \* : Taping specification is not sold separately and must be purchased in reel units.

## MECHANICAL CHARACTERISTICS

Mechanical turn	12 turns
Operating torque	20 mN·m {204 gf·cm} maximum
Mechanical stop	Clutch action
Rotational life	200 cycles [Δ R/R ≤ ± (3 Ω + 3 %)]
Thrust to shaft	5 N {0.51 kgf} minimum
Solderability	Sn-Pb : 235 °C, 2 s Sn-Cu (Lead-free) : 245 ± 3 °C, 2 ~ 3 s
Shear (Adhesion)	5 N {0.51 kgf} 10 s
Substrate bending	Width 90 mm, bend 3 mm, 5 s, 1 time
Pull-off strength	5 N {0.51 kgf} 10 s

{ } : Reference only

## ENVIRONMENTAL CHARACTERISTICS

Test item	Test conditions	Specifications
Thermal shock	-65 ~ 150 °C (0.5 h), 5 cycles	[Δ R/R ≤ 2 %] [S.S. ≤ 1 %]
Humidity	-10 ~ 65 °C (Relative humidity 80 ~ 98 %), 10 cycles, 240 h	[Δ R/R ≤ 2 %]
Shock	981 m/s <sup>2</sup> , 6 ms 6 directions for 3 times each	[Δ R/R ≤ 1 %] [S.S. ≤ 1 %]
Vibration	Amplitude 1.52 mm or Acceleration 196 m/s <sup>2</sup> , 10 ~ 2000 Hz, 3 directions, 12 times each	
Load life	85 °C, 0.25 W, 1000 h	[Δ R/R ≤ 2 %] [S.S. ≤ 1 %]
Low temp. operation	-65 °C, 2 h	[Δ R/R ≤ 1 %] [S.S. ≤ 1 %]
High temp. exposure	150 °C, 250 h	[Δ R/R ≤ 2 %] [S.S. ≤ 1 %]
Immersion seal	85 °C, 60 s	No leaks (No continuous bubbles)
Soldering heat	Sn-Pb 260 °C, 10 s or 215 °C, 35 s	[Δ R/R ≤ 1 %]
	Sn-Cu Flow : 260 ± 3 °C as the temperature in a pot of molten solder, immersion from head of terminal to backside of board, 5 ~ 6 s, two times maximum Reflow : Peak temperature 255 °C (Please refer to the profile below.) Manual soldering : 350 ± 10 °C, 3 ~ 4 s	

Δ R/R : Change in total resistance  
S.S. : Setting stability

**SM-4**  
**SURFACE MOUNT TRIMMERS**

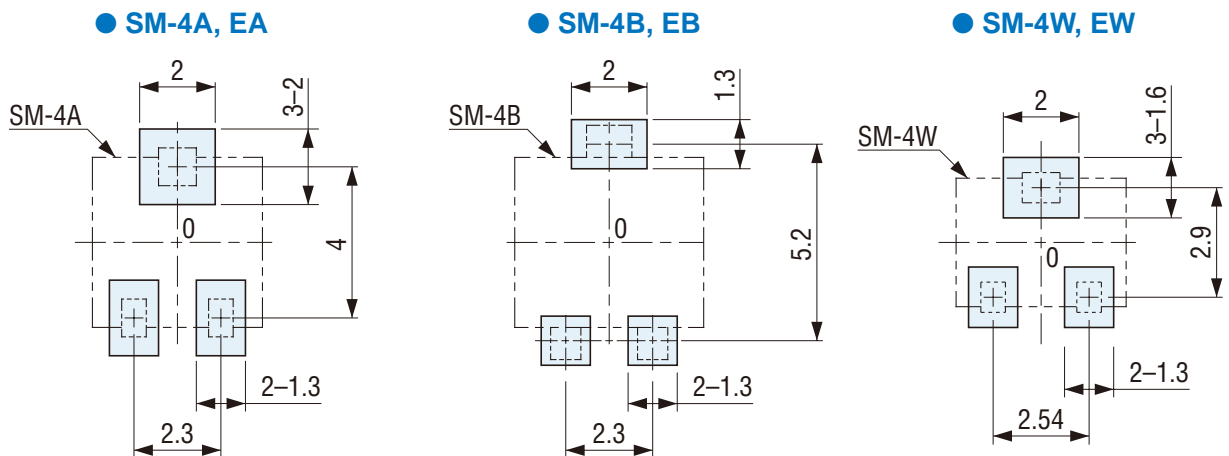
**MAXIMUM INPUT RATINGS**

Nominal resistance values (Ω)	Resistance code	Maximum input voltage (V)	Maximum wiper current (mA)
➡ 10	100	1.00	100
➡ 20	200	2.00	100
50	500	3.53	70.7
100	101	5.00	50.0
200	201	7.07	35.4
500	501	11.2	22.4
1 k	102	15.8	15.8
2 k	202	22.4	11.2
5 k	502	35.4	7.07
10 k	103	50.0	5.00
20 k	203	70.7	3.54
50 k	503	112	2.24
100 k	104	158	1.58
200 k	204	223	1.12
500 k	504	300	0.60
1 M	105	300	0.30
2 M	205	300	0.15

The products indicated by ➡ mark are manufactured upon receipt of order basis.

**RECOMMENDED P.C.B. PAD OUTLINE DIMENSIONS**

(Unit: mm)



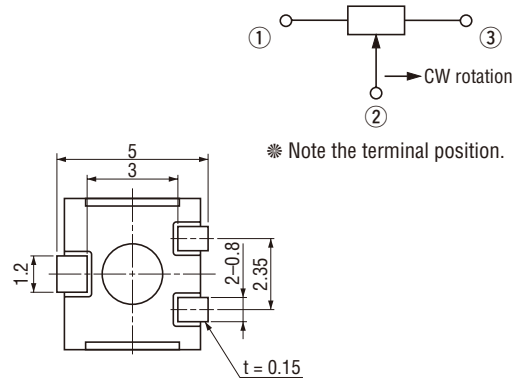
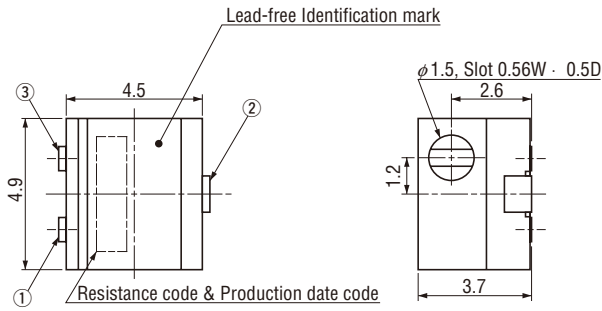
Note) The zero point is the center of mounting.

# SM-4 SURFACE MOUNT TRIMMERS

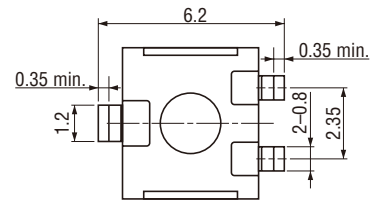
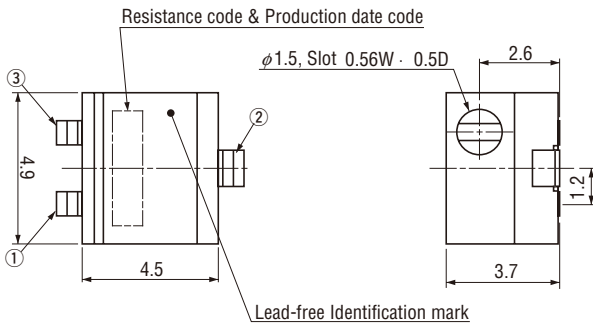
## OUTLINE DIMENSIONS

Unless otherwise specified, tolerance :  $\pm 0.3$  (Unit : mm)

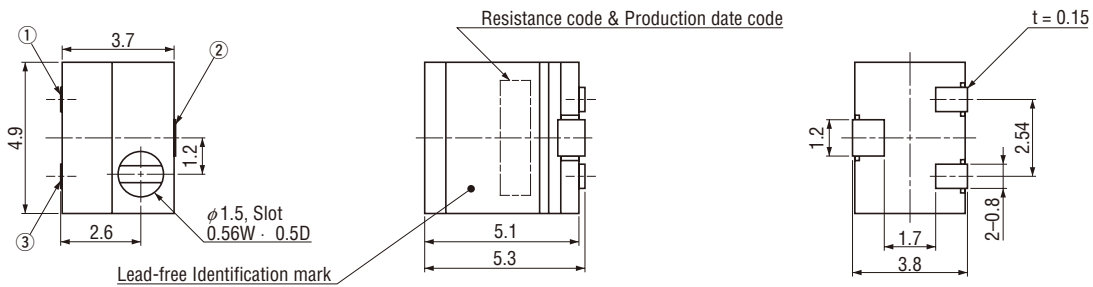
### SM-4A, SM-4EA Side adjustment



### SM-4B, SM-4EB Side adjustment



### SM-4W, SM-4EW Top adjustment



# SM-4 SURFACE MOUNT TRIMMERS

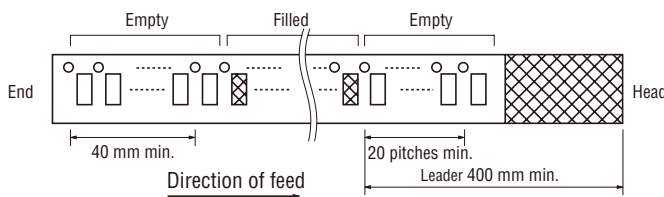
## ■ PACKAGING SPECIFICATIONS

### <Taping packaging specifications>

- Taping version (SM-4TA, TB, ETA, ETB types) are packaged in 500 pcs. per reel.  
Orders will be accepted for units of 500 pcs., i.e., 500, 1000, 1500 pcs., etc.  
SM-4TW, ETW types are packaged in 250 pcs. per reel.  
Orders will be accepted for units of 250 pcs., i.e., 500, 750 pcs., etc.
- Taping version is boxed with one reel.

Maximum number of consecutive missing pieces = 2  
Leader length and reel dimension are shown in the dia-grams below.

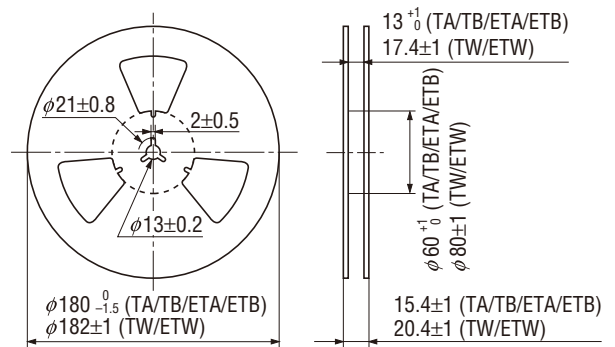
### ● EMBOSSED TAPE DIMENSIONS



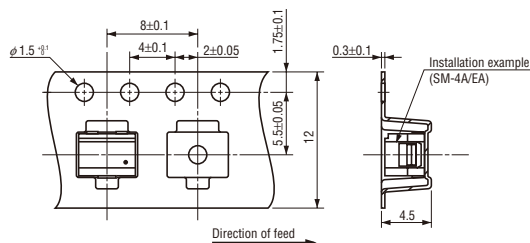
### ● REEL DIMENSIONS

(Conforms to JIS C 0806-3)  
(TA/TB type : In accordance with EIAJ ET-7200A)

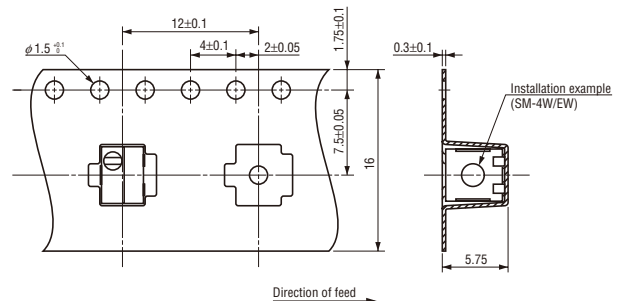
(Unit: mm)



### ● SM-4TA/TB/ETA/ETB



### ● SM-4TW/ETW



### <Vinyl bag packaging specifications>

- Unit of bulk in vinyl bag packaging is 50 pcs. per pack.
- Boxing of bulk in vinyl bags is performed with 200 pcs. per box.