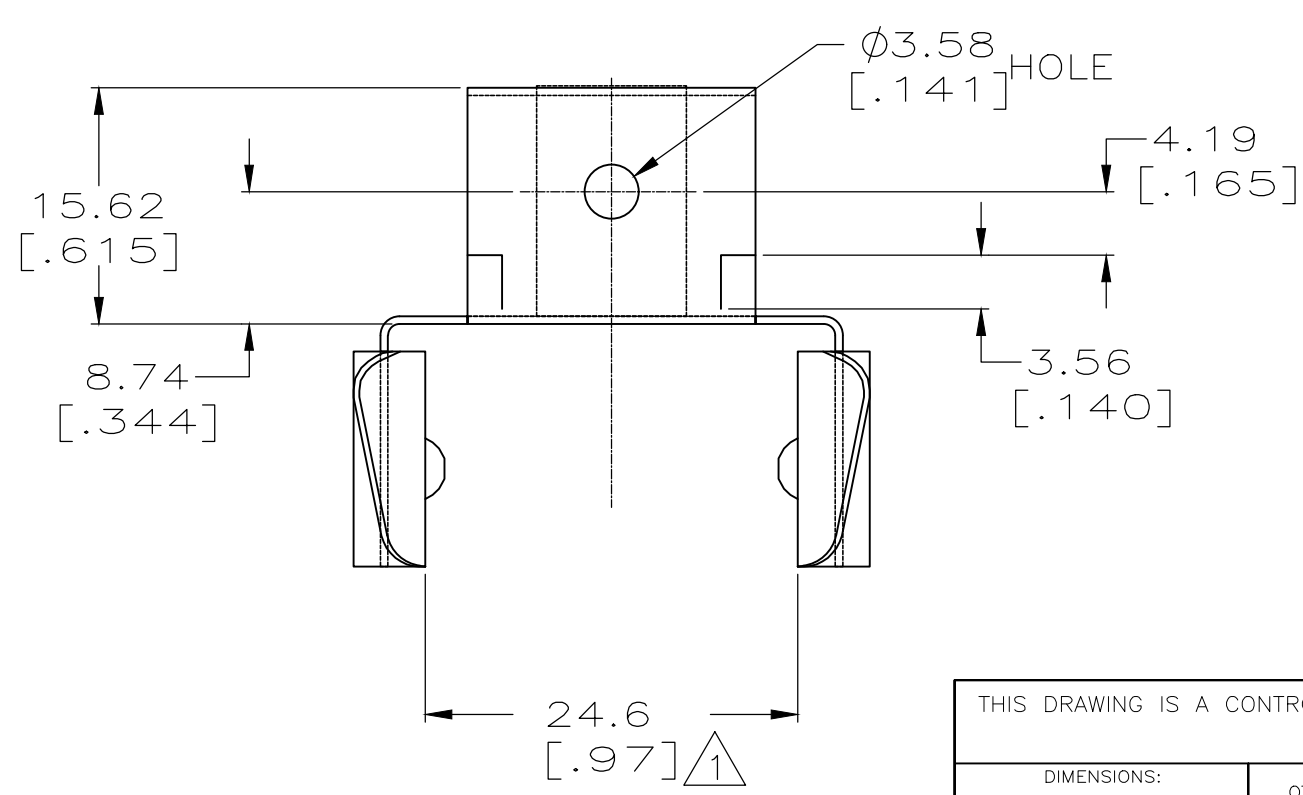
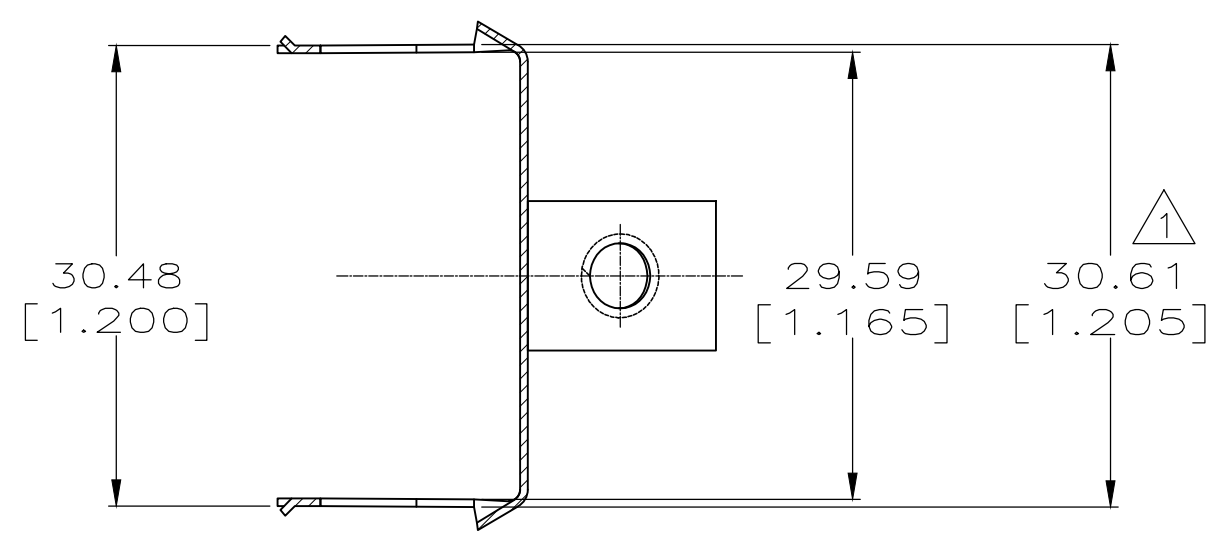
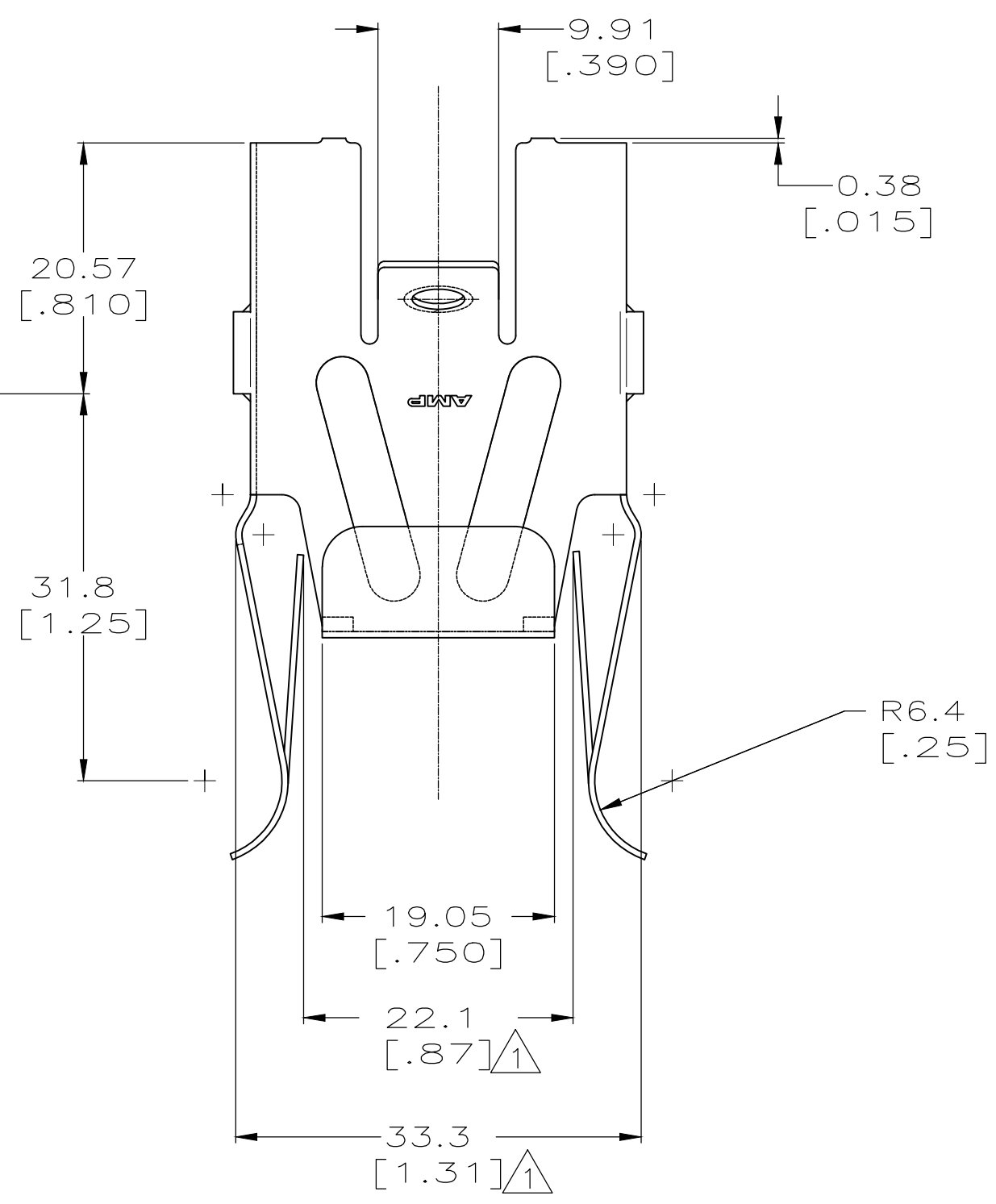
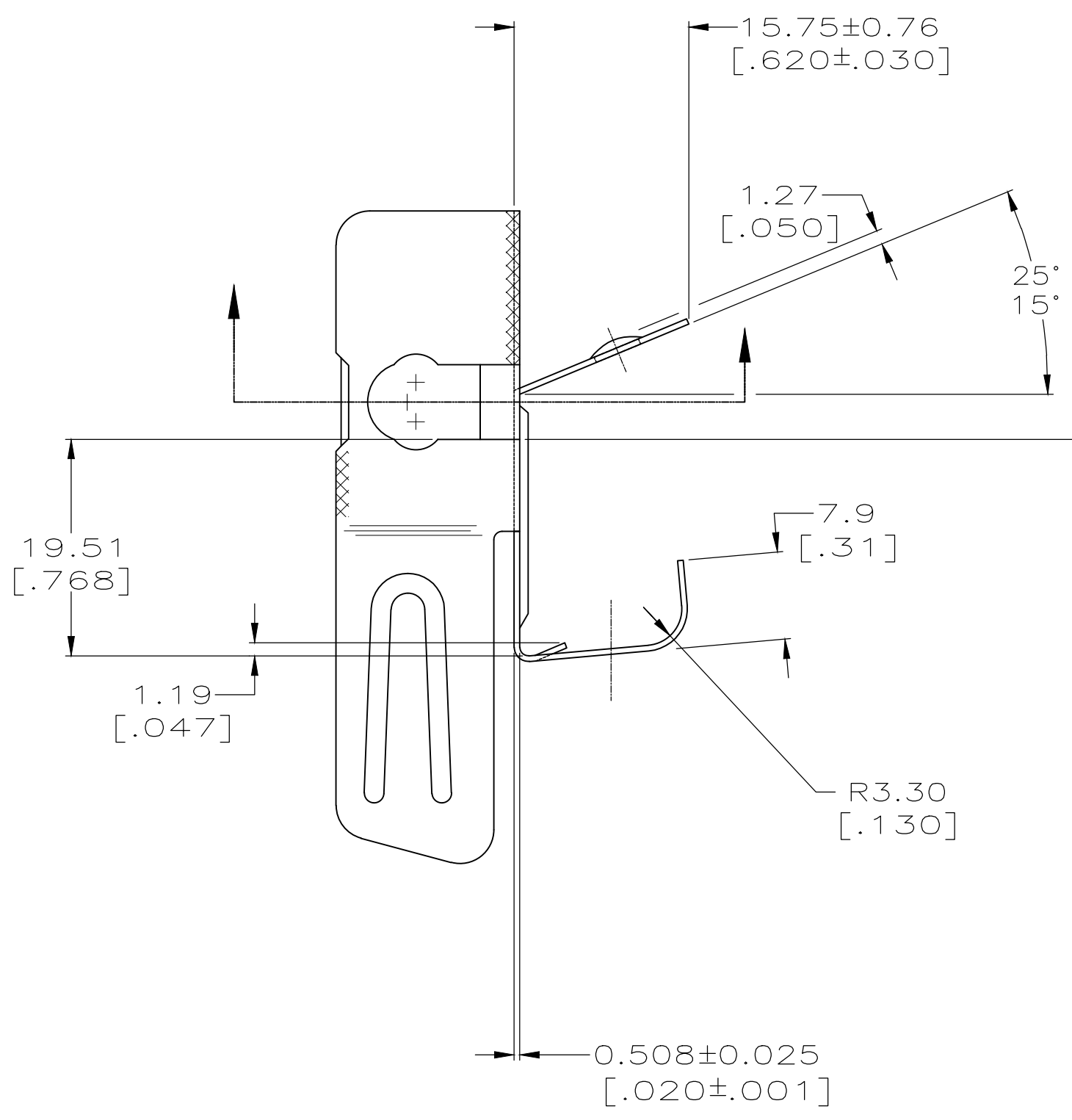


THIS DRAWING IS UNPUBLISHED. RELEASED FOR PUBLICATION  
 © COPYRIGHT - TE Connectivity Ltd. ALL RIGHTS RESERVED.

REVISIONS					
P	LTR	DESCRIPTION	DATE	DWN	APVD
AF1		ECR-19-007161	15MAY2019	KY	TD



- 1 DIMENSION TO BE CHECKED WHEN SIDES ARE PARRALLEL WITH [1.215] DIM.
- 2 10-32 MACHINE SCREW.
- 3 SUPERSEDE 640751 WITH REPLACEMENT 1969755-1

640751-1  
 PART NO.

THIS DRAWING IS A CONTROLLED DOCUMENT.		DWN 14FEB2001 MICHAEL S. FEHER			NAME																								
DIMENSIONS:		CHK 14FEB2001 DONALD DECKER			PRODUCT SPEC		RESTRICTED TO																						
INCHES		APVD 14FEB2001 DONALD DECKER	APPLICATION SPEC		SIZE																								
<table border="1"> <tr><td>0</td><td>PLC</td><td>±</td><td>-</td></tr> <tr><td>1</td><td>PLC</td><td>±</td><td>-</td></tr> <tr><td>2</td><td>PLC</td><td>±</td><td>0.8 [.03]</td></tr> <tr><td>3</td><td>PLC</td><td>±</td><td>0.25 [.010]</td></tr> <tr><td>4</td><td>PLC</td><td>±</td><td>-</td></tr> <tr><td colspan="2">ANGLES</td><td>±</td><td>-</td></tr> </table>		0	PLC	±	-	1	PLC	±	-	2	PLC	±	0.8 [.03]	3	PLC	±	0.25 [.010]	4	PLC	±	-	ANGLES		±	-	WEIGHT	DRAWING NO		RESTRICTED TO
0	PLC	±	-																										
1	PLC	±	-																										
2	PLC	±	0.8 [.03]																										
3	PLC	±	0.25 [.010]																										
4	PLC	±	-																										
ANGLES		±	-																										
MATERIAL		FINISH	0.000000	A2 00779 C-640751		SCALE																							
1/4HARD STAINLESS		-	CUSTOMER DRAWING		2:1	SHEET																							
					1 of 1	REV																							
					AF1																								