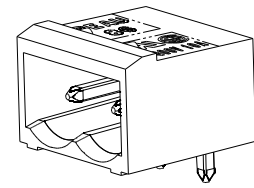
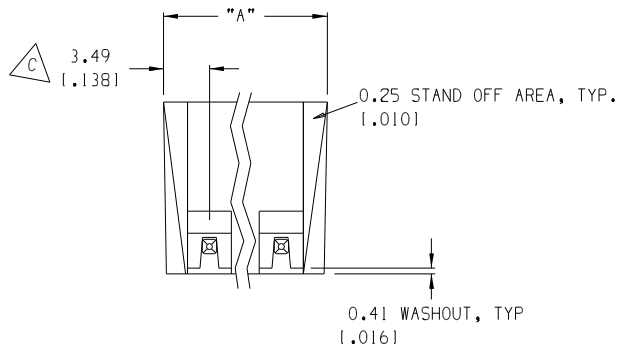
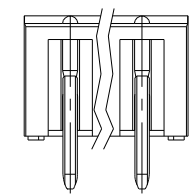
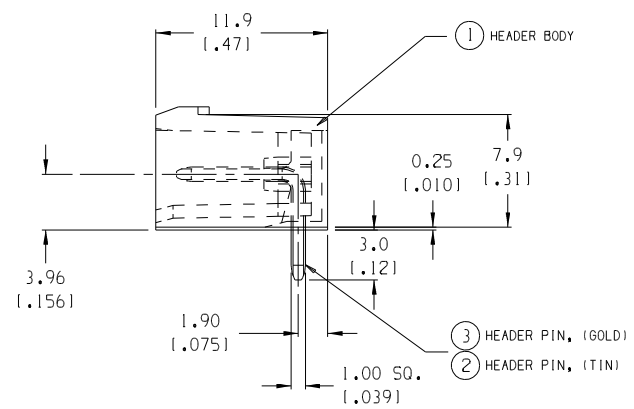
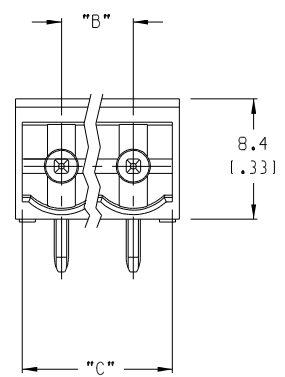


RECOMMENDED PLATED THRU HOLE PATTERN
SCALE 2:1



2 CIRCUIT SHOWN



NOTES:

1. MATERIAL: SEE TABLE
2. FINISHES: SEE TABLE
3. PRODUCT SPECIFICATION: NOT REQUIRED
4. PACKAGING: NOT REQUIRED
5. MATES WITH: NONE
6. SEE SD-38120-003 FOR IMPRINTING OPTIONS.
7. "XX" REFERS TO THE NUMBER OF CIRCUITS.

| ITEM | QTY. | DESCRIPTION | MATERIAL | FINISH |
|------|------|-----------------------------------|---------------|--------|
| 3 | XX | GOLD PIN, RIGHT ANGLE (-G30 OPT.) | BRASS | GOLD |
| 2 | XX | TIN PIN, RIGHT ANGLE | BRASS | TIN |
| 1 | 1 | INSULATOR | THERMOPLASTIC | BLACK |

| | | |
|-------------------|--------------------------|-------------|
| EC NO. EGO# 11612 | DRWING CH'GE CY 01-11-05 | DESCRIPTION |
| REV | APPR | MAJOR |
| | | CRITICAL |

| GENERAL TOLERANCES: (UNLESS SPECIFIED) | |
|--|-------------|
| 4 PLACES | ±.0015 |
| 3 PLACES | ±.038 ±.005 |
| 2 PLACES | ±.13 ±.01 |
| 1 PLACE | ±.3 |
| ANGULAR: ±2° | |
| DRAFT WHERE APPLICABLE MUST REMAIN WITHIN DIMENSIONS | |

| | |
|-------------------------------------|---|
| SCALE 3:1 | DESIGN UNITS <input type="checkbox"/> mm <input checked="" type="checkbox"/> INCH |
| DRAWN BY & DATE R. KEMP 2-26-03 | |
| CHECKED BY & DATE R. STONE 2-27-03 | |
| APPROVED BY & DATE P. WALTZ 2-28-03 | |
| CAD FILENAME 8689XX | |

| | | |
|--|--------------------------|------------------|
| PROJECT NO. E-300 | SHT | REV |
| DIMENSIONS: <input checked="" type="checkbox"/> mm <input type="checkbox"/> INCH <input type="checkbox"/> mm ONLY | REVISE ON CAD ONLY | |
| TITLE: HEADER, RA. CLOSED END ASSY (5.08 (1.200) CENTER), HIGH TEMP. W/ .010 STAND OFF | | |
| MOLEX INCORPORATED | | |
| MATERIAL NO. SEE CHART | DRAWING NO. SD-39860-014 | SHEET NO. 1 OF 2 |
| THIS DRAWING CONTAINS INFORMATION THAT IS PROPRIETARY TO MOLEX INCORPORATED AND SHOULD NOT BE USED WITHOUT PERMISSION. | | SIZE B |

| # OF CIRC. "XX" | DIM. "A" | DIM. "B" | DIM. "C" | MATERIAL #, W/ TIN PIN | MATERIAL #, W/ GOLD PIN | MATERIAL #, (-10A OPT) | MATERIAL #, (-11A OPT) |
|--------------------|-------------|---------------|---------------|---------------------------|----------------------------|---------------------------|---------------------------|
| 02 | 12.1 [1.48] | 5.08 [1.200] | 10.67 [1.420] | 39860-1402 | 39861-1402 | 39862-1402 | 39863-1402 |
| 03 | 17.1 [1.68] | 10.16 [1.400] | 15.75 [1.620] | 39860-1403 | 39861-1403 | 39862-1403 | 39863-1403 |
| 04 | 22.2 [1.88] | 15.24 [1.600] | 20.83 [1.820] | 39860-1404 | 39861-1404 | 39862-1404 | 39863-1404 |
| 05 | 27.3 [1.08] | 20.32 [1.800] | 25.91 [1.020] | 39860-1405 | 39861-1405 | 39862-1405 | 39863-1405 |
| 06 | 32.4 [1.28] | 25.40 [1.000] | 30.99 [1.220] | 39860-1406 | 39861-1406 | 39862-1406 | 39863-1406 |
| 07 | 37.5 [1.48] | 30.48 [1.200] | 36.07 [1.420] | 39860-1407 | 39861-1407 | 39862-1407 | 39863-1407 |
| 08 | 42.5 [1.68] | 35.56 [1.400] | 41.15 [1.620] | 39860-1408 | 39861-1408 | 39862-1408 | 39863-1408 |
| 09 | 47.6 [1.88] | 40.64 [1.600] | 46.23 [1.820] | 39860-1409 | 39861-1409 | 39862-1409 | 39863-1409 |
| 10 | 52.7 [2.08] | 45.72 [1.800] | 51.31 [2.020] | 39860-1410 | 39861-1410 | 39862-1410 | 39863-1410 |
| 11 | 57.8 [2.28] | 50.80 [2.000] | 56.39 [2.220] | 39860-1411 | 39861-1411 | 39862-1411 | 39863-1411 |
| 12 | 62.9 [2.48] | 55.88 [2.200] | 61.47 [2.420] | 39860-1412 | 39861-1412 | 39862-1412 | 39863-1412 |



| | | | | | | | | | | |
|---|---|---|--------------|--------------|--|--|---|--|-----------------------------|-----------------------|
| EC NO. SEE SHEET DRWN: 1 OF 2 CH'K: APPR: REV | QUALITY SYMBOLS MAJOR CRITICAL C | GENERAL TOLERANCES: (UNLESS SPECIFIED) | | SCALE 3:1 | DESIGN UNITS <input type="checkbox"/> mm <input checked="" type="checkbox"/> INCH | THIRD ANGLE PROJECTION | PROJECT NO. E-300 | SHT | REV | |
| | | mm | | INCH | DRAWN BY & DATE R. KEMP 2-26-03 | TITLE: HEADER, RA. CLOSED END ASSY (5.08 [1.200] CENTER) W/ .010 STAND OFF | MOLEX INCORPORATED | DIMENSIONS: <input checked="" type="checkbox"/> mm <input type="checkbox"/> INCH <input type="checkbox"/> mm ONLY | | REVISE ON CAD ONLY |
| | | 4 PLACES | | ±.0015 | CHECKED BY & DATE R. STONE 2-27-03 | | | MATERIAL NO. SEE CHART | DRAWING NO. SD-39860-014 | SHEET NO. 2 OF 2 |
| | | 3 PLACES | ±.038 | ±.005 | APPROVED BY & DATE P. WALTZ 2-28-03 | CAD FILENAME 8689XX | THIS DRAWING CONTAINS INFORMATION THAT IS PROPRIETARY TO MOLEX INCORPORATED AND SHOULD NOT BE USED WITHOUT WRITTEN PERMISSION. | | SIZE B | |
| 2 PLACES | ±.13 | ±.01 | ANGULAR: ±2° | | DRAFT WHERE APPLICABLE MUST REMAIN WITHIN DIMENSIONS | | | | | |
| 1 PLACE | ±.3 | | | | | | | | | |