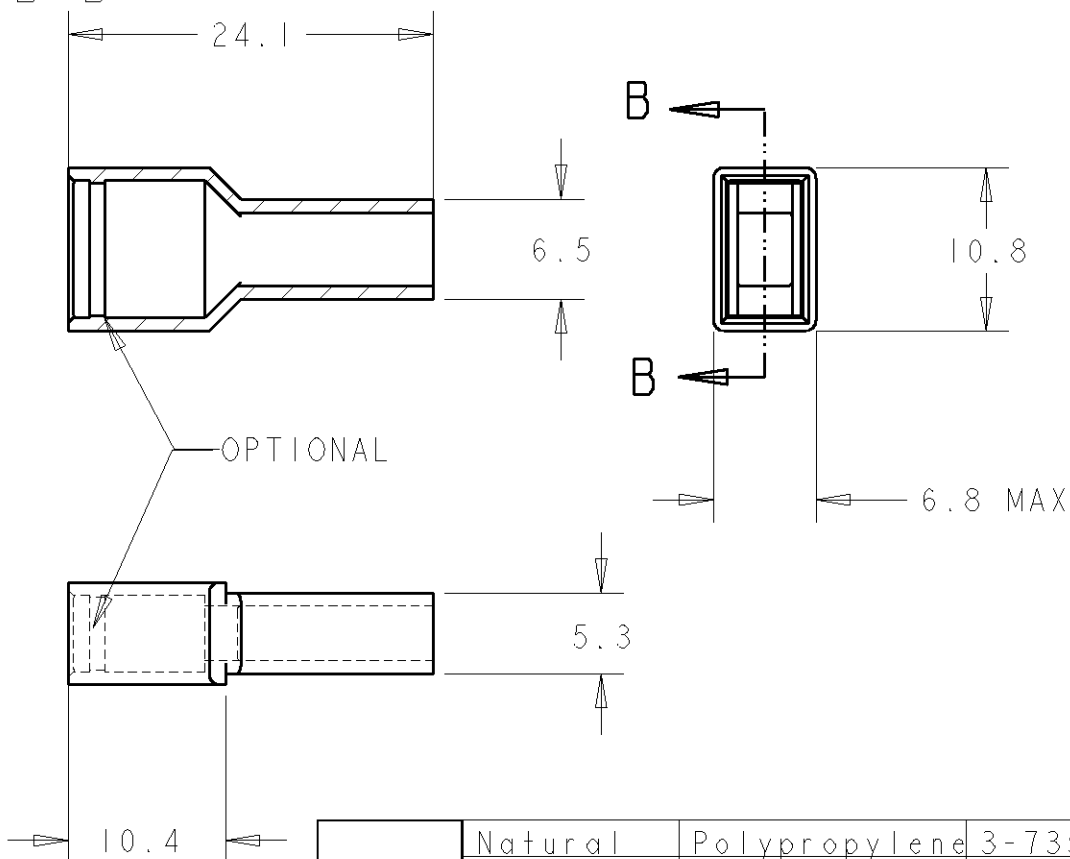


LOC	DIST	REVISIONS					
AL	2	P	LTR	DESCRIPTION	DATE	DWN	APVD
		D3		REVISED PER ECO-11-005139	28MAR11	RK	HMR

**1** OBSOLETE PARTS: OBSOLETE CIS STREAMLINING PER D.RENAUD/D.SINISI

SECTION B - B



<b>1</b> OBSOLETE	Natural	Polypropylene	3-735093-0
	Natural	Poliamida 6/6	2-735093-0
	Naranja	Polyethylene	735093-9
	Violeta	Polyethylene	735093-8
	Gris	Polyethylene	735093-7
	Marron	Polyethylene	735093-6
	Negro	Polyethylene	735093-5
	Amarillo	Polyethylene	735093-4
	Azul	Polyethylene	735093-3
	Verde	Polyethylene	735093-2
	Rojo	Polyethylene	735093-1
	Natural	Polyethylene	735093-0
	COLOR	MATERIAL	P.N.

SCALE 1:1

RELEASED FOR PUBLICATION

ALL RIGHTS RESERVED.

THIS DRAWING IS UNPUBLISHED.

BY -  
COPYRIGHT -

DIMENSIONS: MM	DWN	J.LAZARO	26SEP2007	MATERIAL	-	FINISH	-
	CHK	J.SALO	26SEP2007	TE Connectivity			
TOLERANCES UNLESS OTHERWISE SPECIFIED:	APVD	L.BATLLO	26SEP2007				
0 PLC ±	PRODUCT SPEC	108-22033		NAME			
1 PLC ±TOLERANCIA	APPLICATION SPEC	-		PROTECTOR SERIE 6.35 LANGUETA FASTON			
2 PLC ±GENERAL	WEIGHT	-		SIZE	CAGE CODE	DRAWING NO	RESTRICTED TO
3 PLC ±± 0.3	CUSTOMER DRAWING	-		A4	00779	C=735093	-
4 PLC ±	SCALE	2:1		SHEET	1	OF	1
ANGLES ±-	REV	D3					