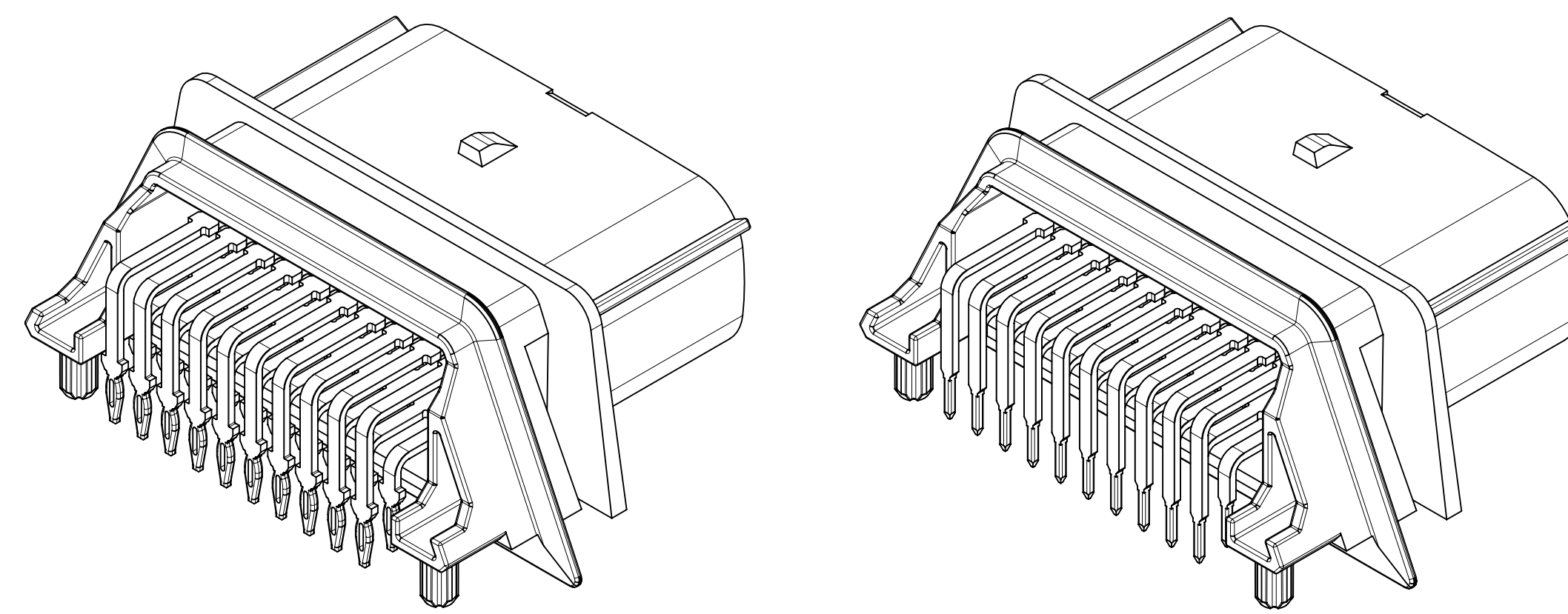


DETAIL A
SCALE 10:1

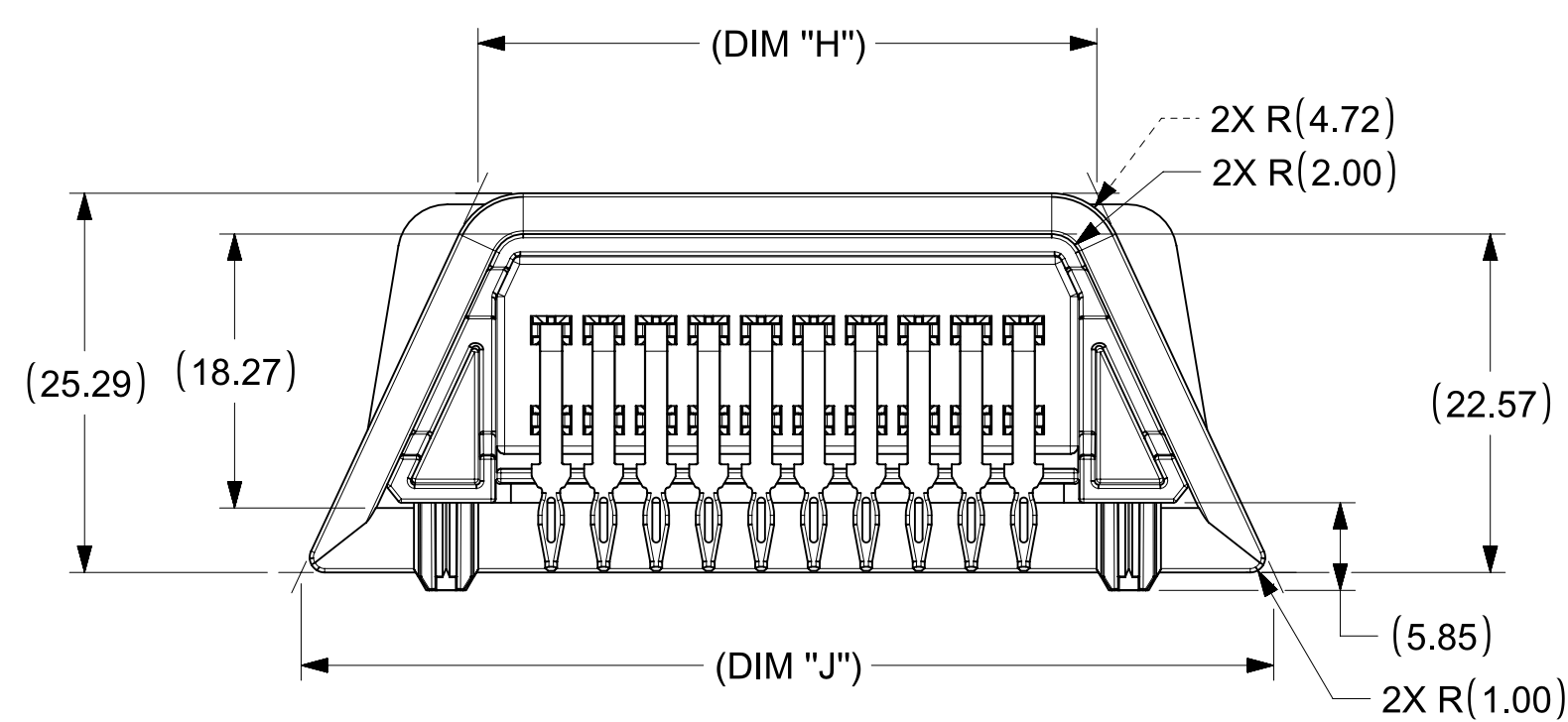
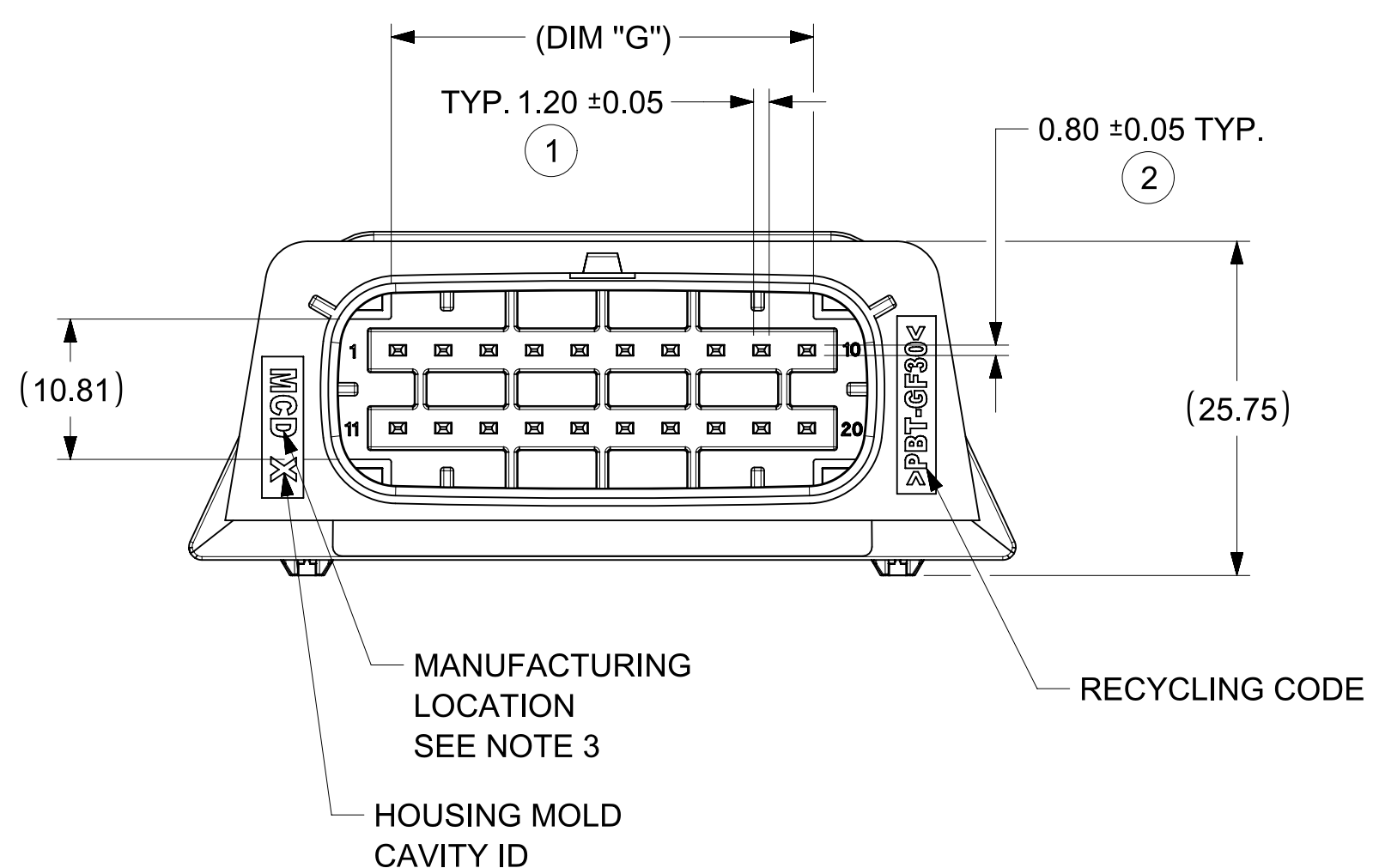
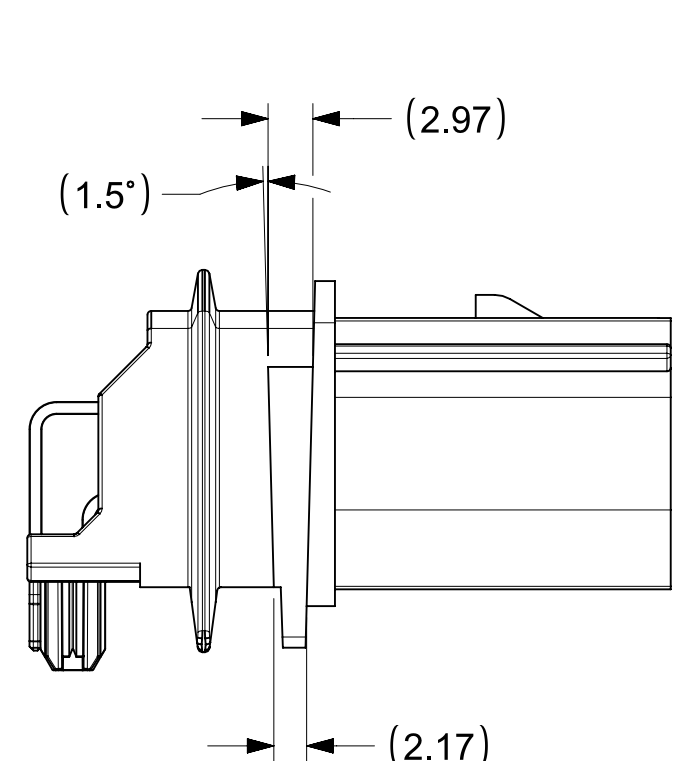


EON SHOWN
(2X10 SHOWN)

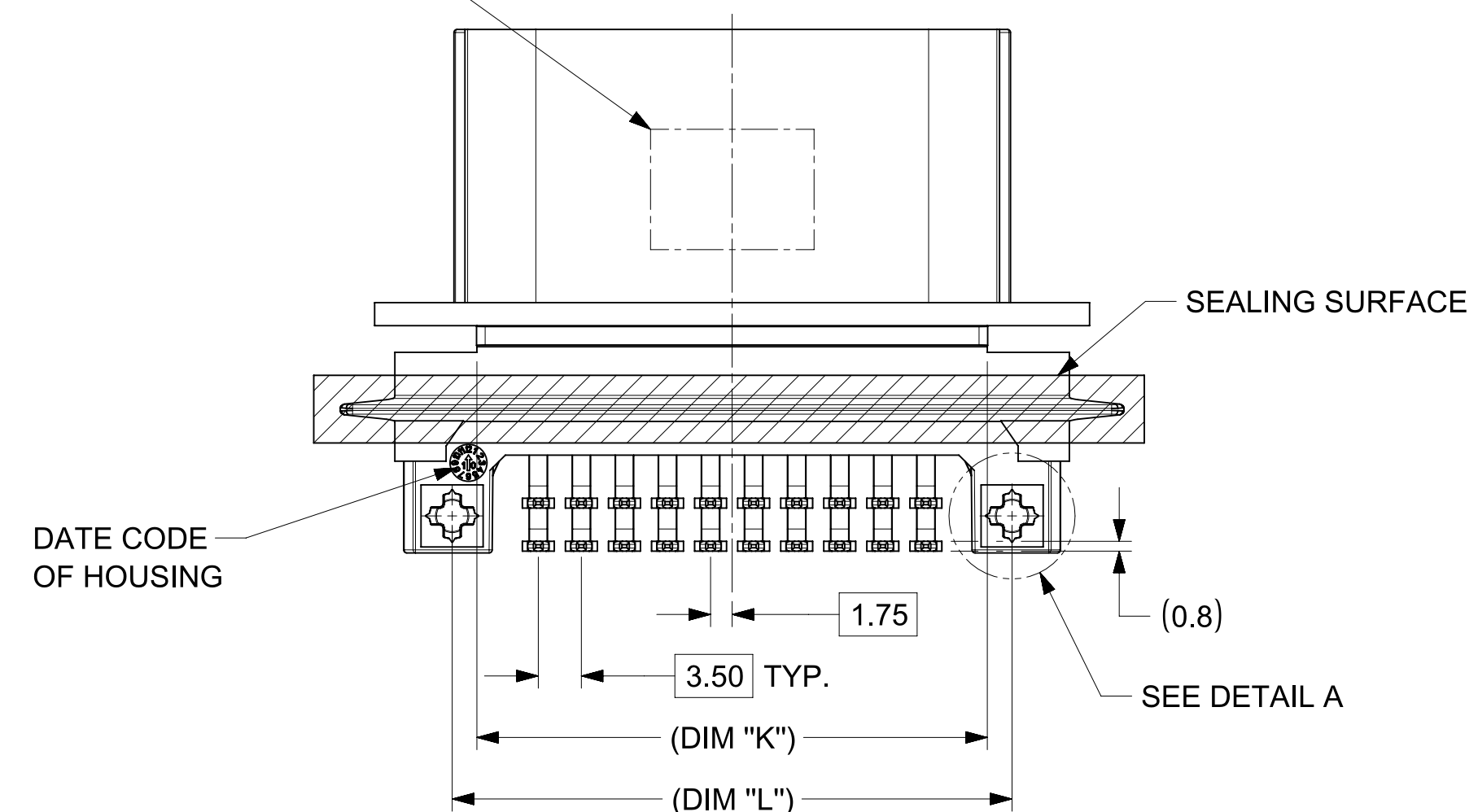
SOLDERTAIL SHOWN
(2X10 SHOWN)

NOTES UNLESS OTHERWISE SPECIFIED

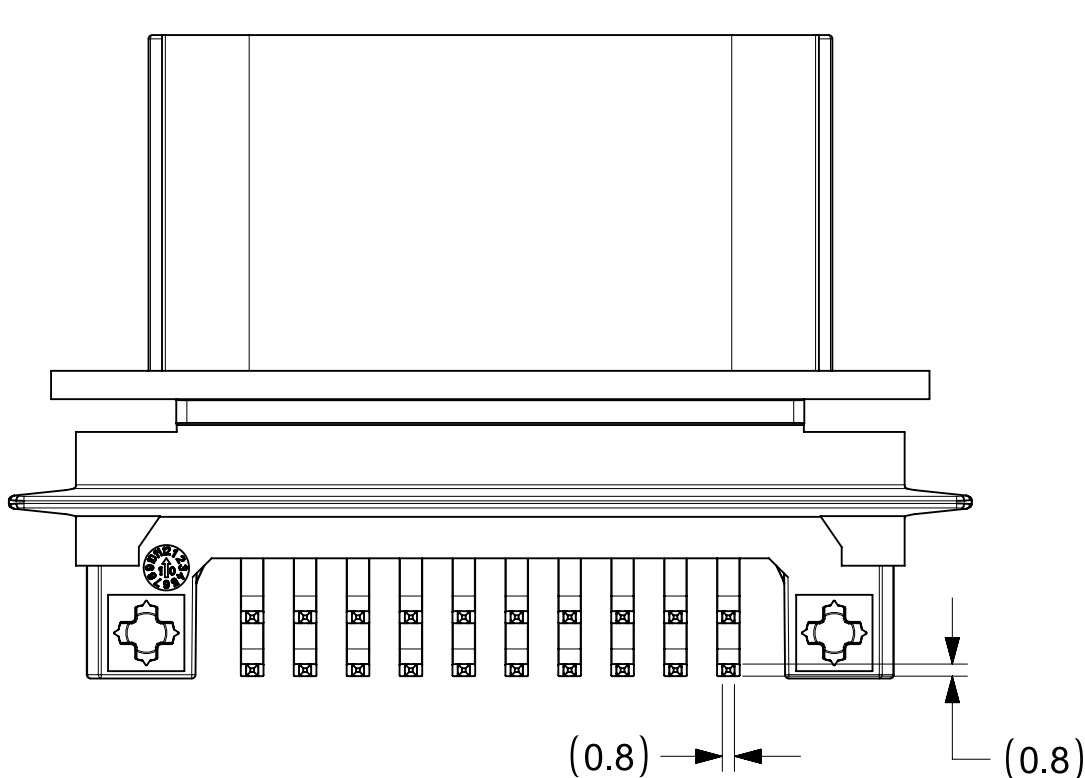
1. GENERAL:
 - a. PARTS MUST BE IN COMPLIANCE TO MOLEX CHEMICAL SUBSTANCES FOR PRODUCTS AND PACKAGING SPECIFICATION: 2014040016
 - b. DATA MUST BE SUBMITTED UNDER THE MOLEX PART NUMBER TO IMDS (COMPANY ID#13255)
 - c. 1.5 PCB PRESS-FIT (COMPLIANT PIN) PER SD-31503-012 REV A
 - d. PCB INTENDED TO BE FR4 0.062" (1.6mm) THICK
2. DESIGN - MATERIALS:
 - a. HOUSING: PBT 30%GF.
 - b. TERMINAL:
 - SOLDER VERSION: COPPER ALLOY.
 - COMPLIANT VERSION: COPPER ALLOY.
3. DESIGN - GEOMETRY:
 - a. THIS IS A 100% CAD GENERATED PART. THE CAD MATHEMATICAL DATA IS THE MASTER FOR THIS PART. FOR DIMENSIONAL OR ANY INFORMATION NOT SHOWN ON THIS DRAWING, ANALYZE THE CAD MODEL.
 - b. PRODUCT DESIGN MODEL NUMBER(S): SEE BOM TABLE
 - c. GEOMETRIC DIMENSIONS AND TOLERANCES PER ASME Y14.5M - 1994
 - d. EDGES AND UNDIMENSIONED DETAILS PER ISO13715
 - e. CORNERS SHOWN AS SHARP TO BE R 0.2 MAX.
 - f. LETTERING SHALL BE 0.15 MAX RAISED. THIS INCLUDES RECYCLING CODE, CAVITY ID, MANUFACTURING LOCATION, AND MOLEX MATERIAL NUMBER.
4. TRUE POSITIONS OF THE EONS AND SOLDERTAIL TO BE VERIFIED WITH A FUNCTIONAL GO/NO GO GAUGE.
5. ALL DIMENSIONS APPLY TO THE PART AS SHIPPED FROM MOLEX. FINAL POSITIONING IS ACHIEVED WITH PCB APPLICATION TOOLING. REFERENCE AS-34829-001.
6. LASER MARKING TO BE MARKED WITH:
 - HUMAN READABLE CODE (HRC)
 - PERMANENTLY APPLIED ON THE PART WITH 1.5mm LETTER SIZE
 - INFORMATION TO BE PRINTED
 - 9 DIGIT MOLEX MATERIAL NUMBER
 - 5 DIGIT JULIAN MANUFACTURING DATE STAMP DDDYY
7. TRUE POSITION OF THE MATE SIDE CONNECTOR TO BE VERIFIED WITH A GO/NO-GO FUNCTIONAL GAGE
8. ALL DIMENSION WITH OUT BALLOONS ARE NOT MEASURED. SURROGATE DATA FROM THE COMPONENT PRINT WILL BE USED TO MEET DIMENSIONAL REQUIREMENTS.
9. EON (COMPLIANT PIN) DESIGN REQUIRES AN ASSEMBLY FIXTURE FOR INSTALLATION.



LASER MARKING TO BE SHOWN
IN THIS LOCATION
SEE NOTE 6

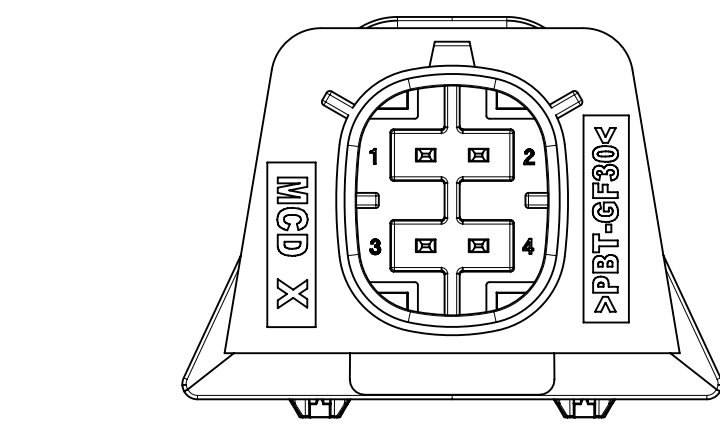


EON DESIGN

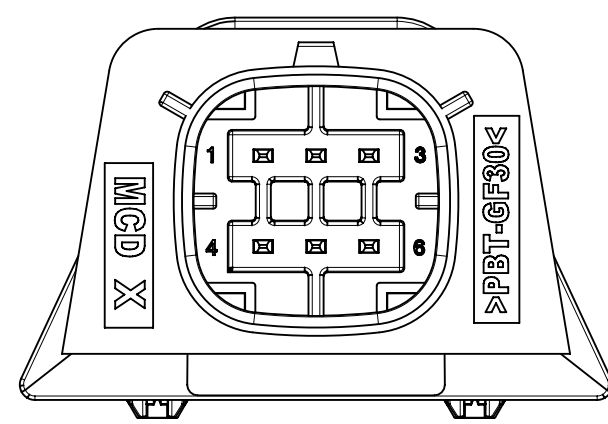


SOLDERTAIL DESIGN

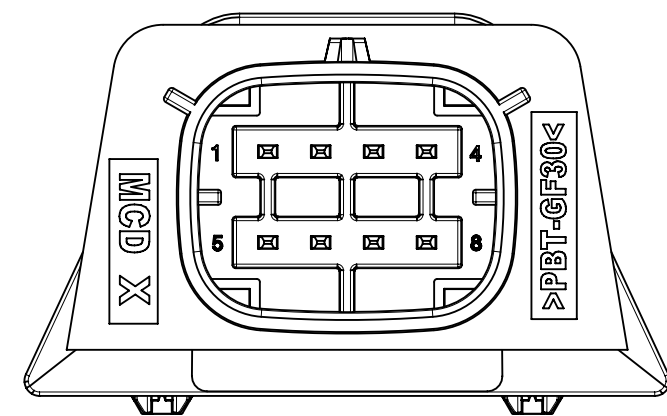
THIS DRAWING CONTAINS INFORMATION THAT IS PROPRIETARY TO MOLEX ELECTRONIC TECHNOLOGIES, LLC AND SHOULD NOT BE USED WITHOUT WRITTEN PERMISSION									
DIMENSION UNITS	SCALE	CURRENT REV DESC: ADDED 2 COLOR CODES AND 4 PNs WITH GOLD PLATING AT CONTACT AREA FOR 2'4 HEADER							
mm	2:1	<p>molex</p> <p>MX150 DUAL ROW R/A HEADER ASSEMBLY</p> <p>PRODUCT SALES DRAWING</p> <p>DOCUMENT NUMBER: SD-34829-001 DOC TYPE: PSD DOC PART: 001 REVISION: A5</p> <p>EC NO: CO-000001796 DRWN: Yu Chao Fu 22-Nov-2022 CHK'D: Elvis Song 06-Dec-2022 APPR: Colin Zhang 16-Dec-2022</p> <p>INITIAL REVISION: DRWN: RFC_PLMIMP APPR:</p>							
GENERAL TOLERANCES (UNLESS SPECIFIED)									
ANGULAR TOL	± 3°								
4 PLACES	± 0								
3 PLACES	± 0								
2 PLACES	± 0.13								
1 PLACE	± 0.25								
0 PLACES	± 0								
DRAFT WHERE APPLICABLE MUST REMAIN WITHIN DIMENSIONS	THIRD ANGLE PROJECTION	DRAWING	SERIES	MATERIAL NUMBER	CUSTOMER	SHEET NUMBER			
		D-SIZE	34829	SEE SHEET 2	GENERAL MARKET	1 OF 3			



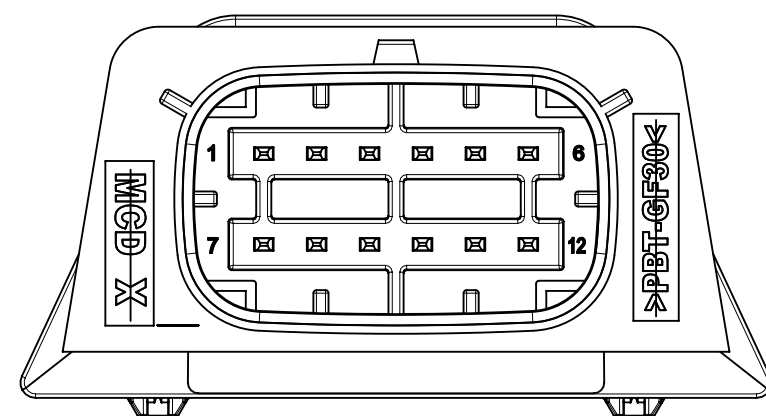
34829-04XX
34830-04XX



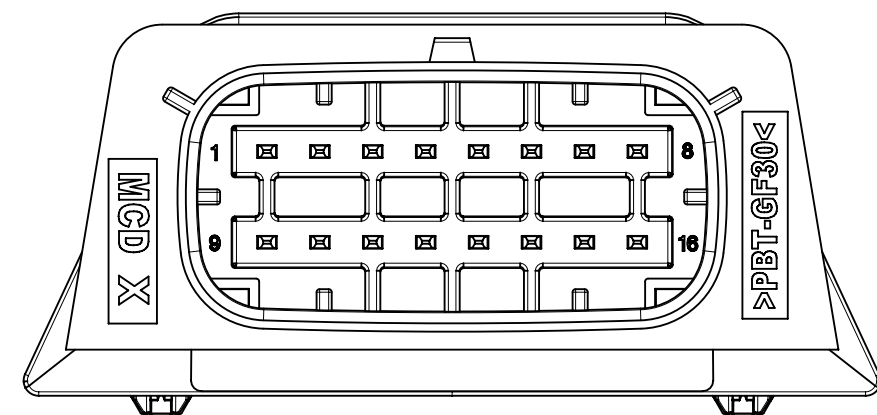
34829-06XX
34830-06XX



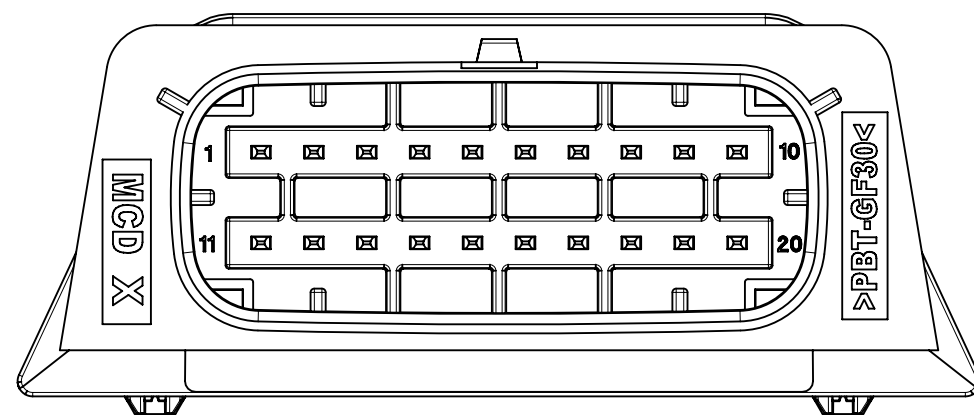
34829-08XX
34830-08XX



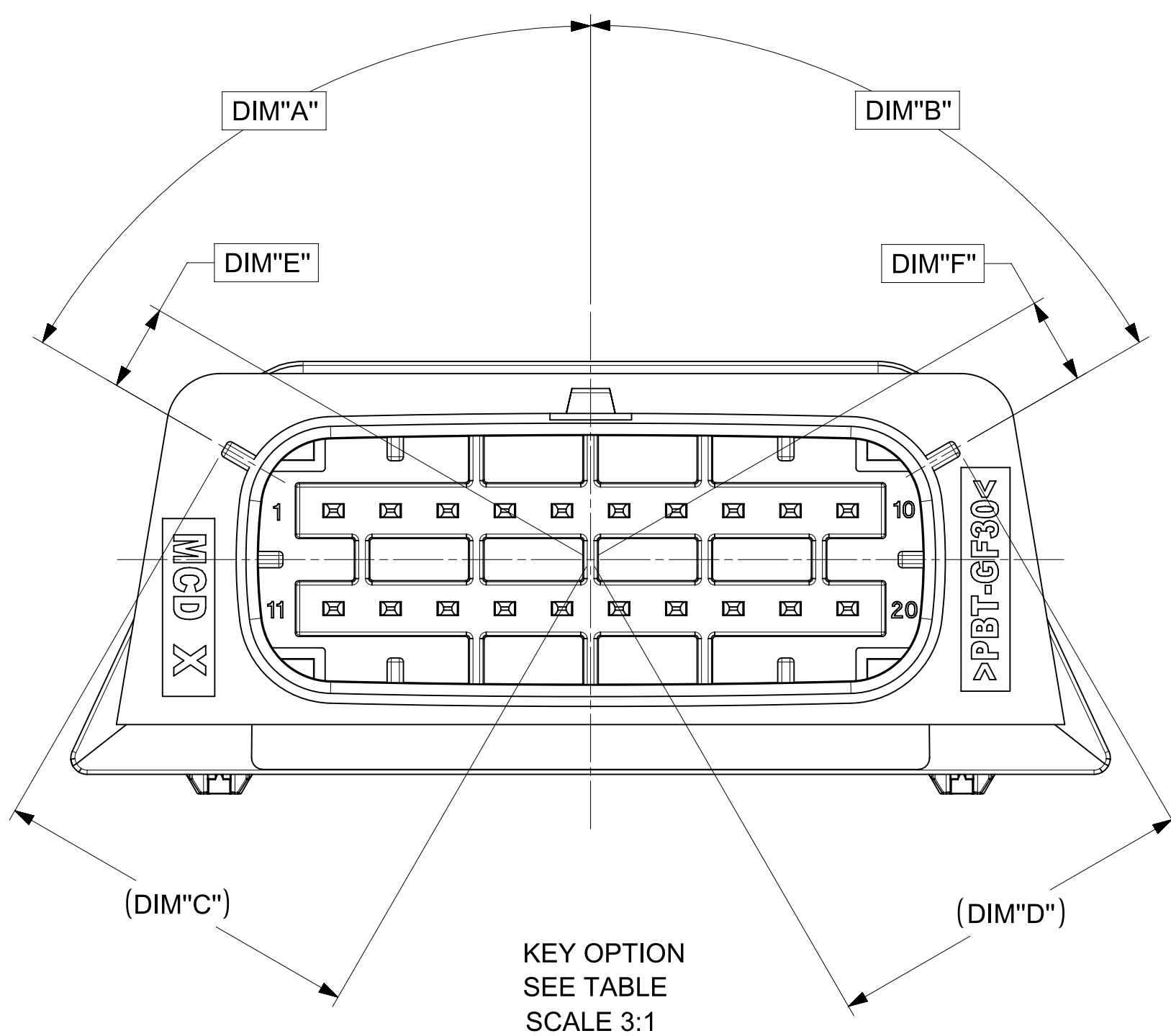
34829-12XX
34830-12XX



34829-16XX
34830-16XX



34829-20XX
34830-20XX

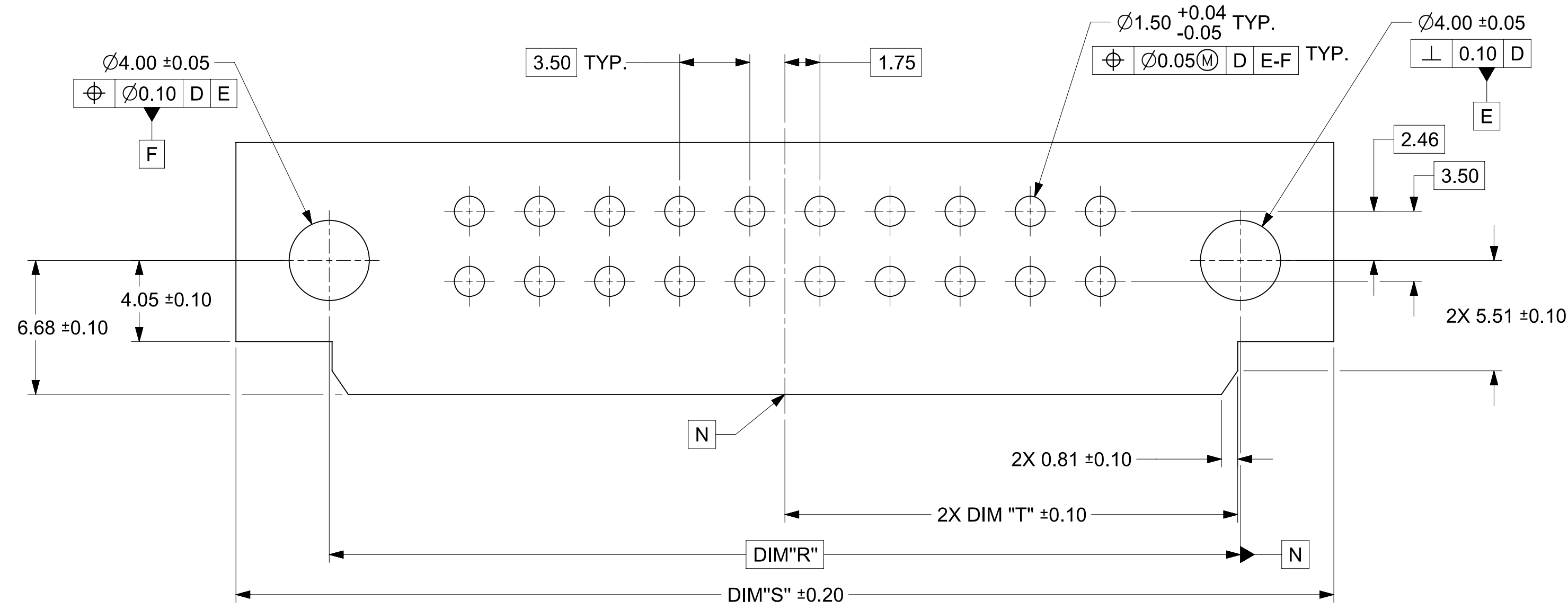


MATERIAL NUMBER			DESCRIPTION	KEY CODING	COLOR	DIMENSION										STATUS								
EON	SOLDERTAIL	A5 CONTACT AREA PLATING TYPE				A	B	C	D	E	F	G	H	J	K	L	EON	SOLDERTAIL						
348290401	348300401	Sn	2x2 WAY HEADER	A	BLACK	60°	60°	10.75	10.75	1.73	1.73	4.53	13.24	36.83	13.54	17.50	OBSOLETE	DESIGN CONCEPT						
348290402	348300402			B	LT GRAY	40°	60°	11.16	10.75	0.57	1.73													
348290403	348300403			C	DK GRAY	60°	40°	10.75	11.16	1.73	0.57													
348290404	348300404			D	BLACK	40°	40°	11.16	11.16	0.57	0.57													
348290601	348300601	Sn	2x3 WAY HEADER	A	BLACK	60°	60°	12.27	12.27	0.86	0.86	8.03	16.74	40.33	17.04	21.00	OBSOLETE	DESIGN CONCEPT						
348290602	348300602			B	LT GRAY	25°	60°	11.93	12.27	1.94	0.86													
348290603	348300603			C	DK GRAY	60°	25°	12.27	11.93	0.86	1.94													
348290604	348300604			D	BLACK	25°	25°	11.93	11.93	1.94	1.94													
348290801	348300801	Sn	2x4 WAY HEADER	A	BLACK	60°	60°	13.78	13.78	0.02	0.02	11.53	20.24	43.83	20.54	24.50	OBSOLETE	SALEABLE						
348290802	348300802			B	LT GRAY	25°	60°	12.67	13.78	3.53	0.02							NOT RECOMMENDED SEE 348300805						
348290803	348300803			C	DK GRAY	60°	25°	13.78	12.67	0.02	3.53							SALEABLE						
348290804	348300804			D	BLACK	25°	25°	12.67	12.67	3.53	3.53													
A5	-	348300805	B	LT GRAY-1	25°	60°	12.67	13.78	3.53	0.02														
A5	-	348300806	D	STONE GRAY	25°	25°	12.67	12.67	3.53	3.53														
A5	-	348300851	A	BLACK	60°	60°	13.78	13.78	0.02	0.02														
A5	-	348300852	B	LT GRAY-1	25°	60°	12.67	13.78	3.53	0.02														
A5	-	348300853	C	DK GRAY	60°	25°	13.78	12.67	0.02	3.53														
A5	-	348300854	D	STONE GRAY	25°	25°	12.67	12.67	3.53	3.53														
348291201	348301201	Sn	2x6 WAY HEADER	A	BLACK	60°	60°	16.81	16.81	1.77	1.77	18.53	27.24	50.83	27.54	31.50	OBSOLETE	DESIGN CONCEPT						
348291202	348301202			B	LT GRAY	25°	60°	14.14	16.81	6.70	1.77													
348291203	348301203			C	DK GRAY	60°	25°	16.81	14.14	1.77	6.70													
348291204	348301204			D	BLACK	25°	25°	14.14	14.14	6.70	6.70													
348291601	348301601	Sn	2x8 WAY HEADER	A	BLACK	60°	60°	19.85	19.85	3.52	3.52	25.53	34.24	57.83	34.54	38.50	OBSOLETE	DESIGN CONCEPT						
348291602	348301602			B	LT GRAY	25°	60°	15.62	19.85	9.87	3.52													
348291603	348301603			C	DK GRAY	60°	25°	19.85	15.62	3.52	9.87													
348291604	348301604			D	BLACK	25°	25°	15.62	15.62	9.87	9.87													
348292001	348302001	Sn	2x10 WAY HEADER	A	BLACK	60°	60°	22.88	22.88	5.27	5.27	32.53	41.24	64.83	41.54	45.50	OBSOLETE	SALEABLE						
348292002	348302002			B	LT GRAY	25°	60°	17.10	22.88	13.05	5.27													
348292003	348302003			C	DK GRAY	60°	25°	22.88	17.10	5.27	13.05													
348292004	348302004			D	BLACK	25°	25°	17.10	17.10	13.05	13.05													
-	348302006			B	NATURAL	25°	60°	17.10	22.88	13.05	5.27													
-	348302007			D	LT GARY	25°	25°	17.10	17.10	13.05	13.05													

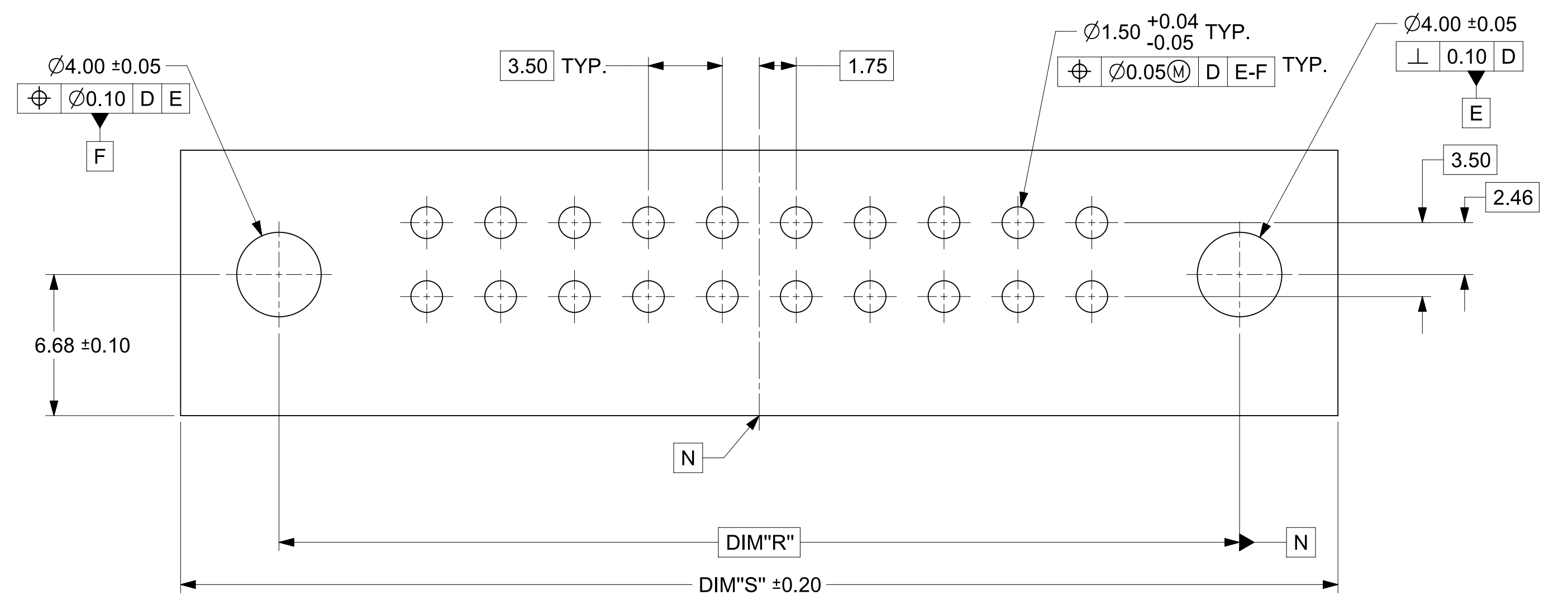
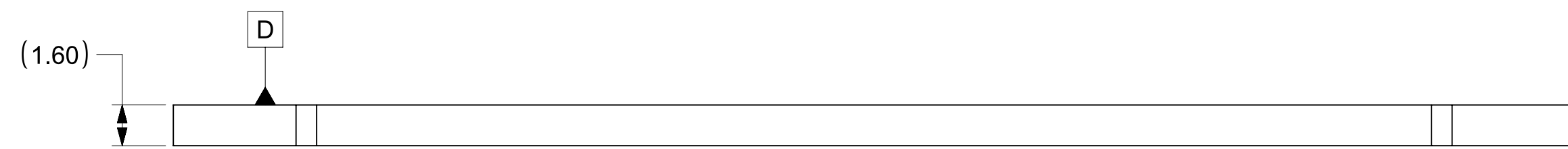
THIS DRAWING CONTAINS INFORMATION THAT IS PROPRIETARY TO MOLEX ELECTRONIC TECHNOLOGIES, LLC AND SHOULD NOT BE USED WITHOUT WRITTEN PERMISSION

DIMENSION UNITS mm	SCALE 2:1	CURRENT REV DESC: ADDED 2 COLOR CODES AND 4 PNs WITH GOLD PLATING AT CONTACT AREA FOR 2'4 HEADER								
GENERAL TOLERANCES (UNLESS SPECIFIED)										
ANGULAR TOL ± 3°		EC NO: CO-000001796	MX150 DUAL ROW R/A HEADER ASSEMBLY							
4 PLACES ± 0		DRWN: Yu Chao Fu 22-Nov-2022								
3 PLACES ± 0		CHK'D: Elvis Song 06-Dec-2022	PRODUCT SALES DRAWING							
2 PLACES ± 0.13		APPR: Colin Zhang 16-Dec-2022								
1 PLACE ± 0.25		INITIAL REVISION:	DOCUMENT NUMBER SD-34829-001							
0 PLACES ± 0		DRWN: RFC_PLMIMP								
DRAFT WHERE APPLICABLE MUST REMAIN WITHIN DIMENSIONS		THIRD ANGLE PROJECTION	DRAWING D-SIZE	SERIES 34829	MATERIAL NUMBER SEE TABLE	CUSTOMER GENERAL MARKET	DOC TYPE PSD	DOC PART 001	REVISION A5	SHEET NUMBER 2 OF 3

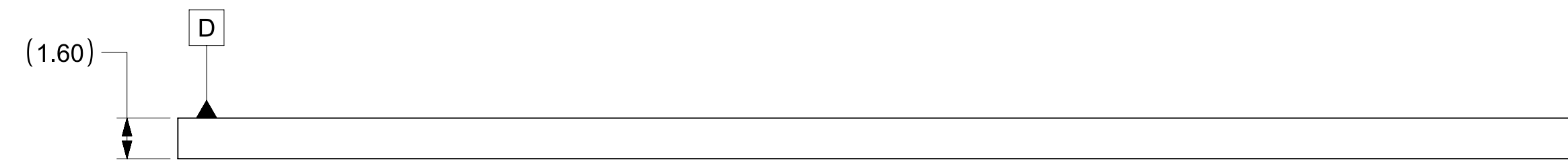
PCB INTERFACE (FOR REFERENCE ONLY)



PCB LAYOUT FOR EON
TOWARD HARNESS CONNECTOR



PCB LAYOUT FOR SOLDERTAIL
TOWARD HARNESS CONNECTOR



DESCRIPTION	DIMENSIONS		
	R	S	T
2X2 HEADER	17.50	26.82	8.61
2X3 HEADER	21.00	30.32	10.36
2X4 HEADER	24.50	33.82	12.11
2X5 HEADER	31.50	40.82	15.61
2X6 HEADER	38.50	47.82	19.11
2X10 HEADER	45.50	54.82	22.61

THIS DRAWING CONTAINS INFORMATION THAT IS PROPRIETARY TO MOLEX ELECTRONIC TECHNOLOGIES, LLC AND SHOULD NOT BE USED WITHOUT WRITTEN PERMISSION											
DIMENSION UNITS mm	SCALE 5:1	CURRENT REV DESC: ADDED 2 COLOR CODES AND 4 PNs WITH GOLD PLATING AT CONTACT AREA FOR 2'4 HEADER									
GENERAL TOLERANCES (UNLESS SPECIFIED)		EC NO: CO-000001796									
ANGULAR TOL ± 3°	4 PLACES ± 0	DRWN: Yu Chao Fu		22-Nov-2022		MX150 DUAL ROW R/A HEADER ASSEMBLY PRODUCT SALES DRAWING					
3 PLACES ± 0	2 PLACES ± 0.13	CHK'D: Elvis Song		06-Dec-2022							
1 PLACE ± 0.25	0 PLACES ± 0	APPR: Colin Zhang		16-Dec-2022		INITIAL REVISION: DRWN: RFC_PLMIMP APPR:					
DRAFT WHERE APPLICABLE MUST REMAIN WITHIN DIMENSIONS		THIRD ANGLE PROJECTION		DRAWING							SERIES
				D-SIZE		34829		SEE SHEET 2		GENERAL MARKET	
								SD-34829-001		PSD 001 A5	
										3 OF 3	