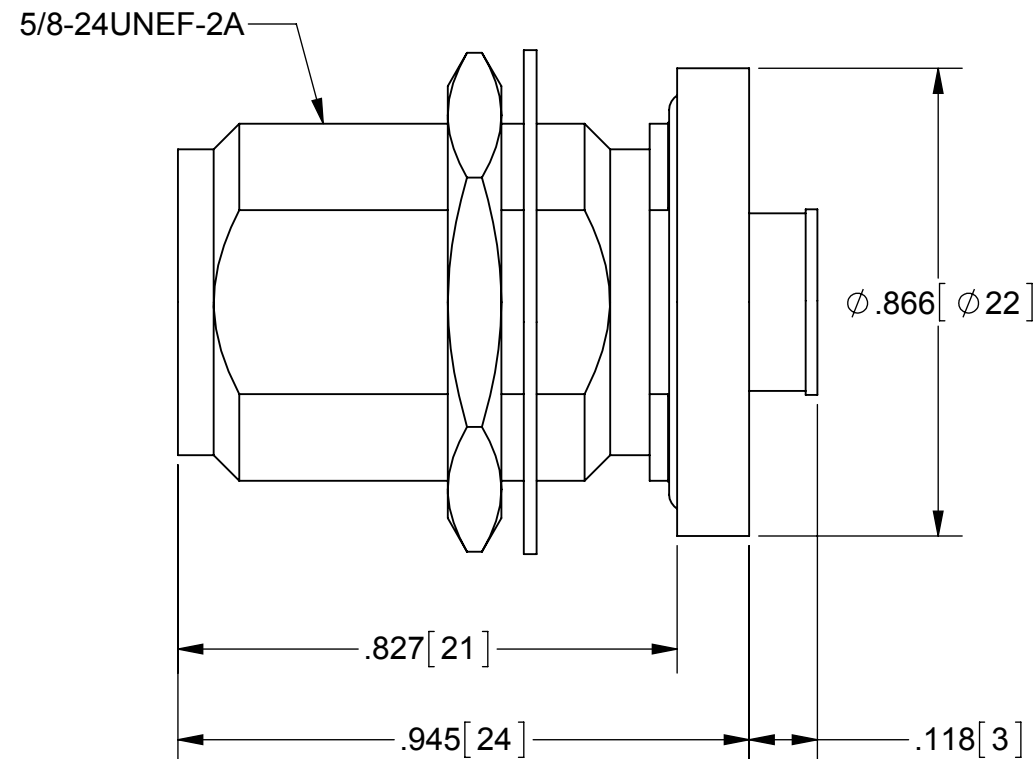
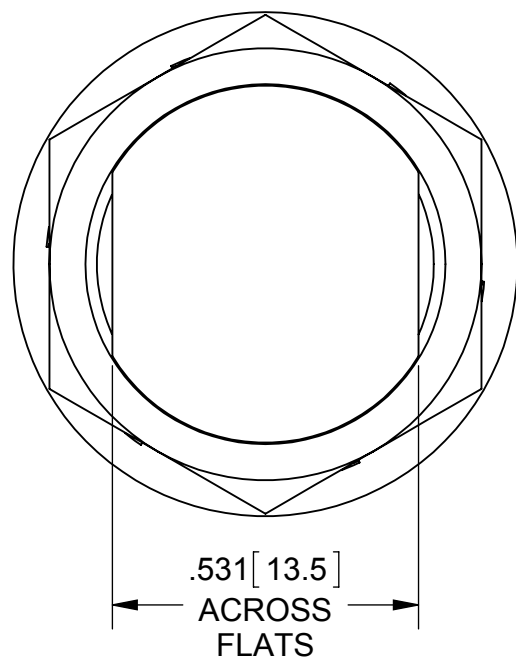


PRODUCT DATA DRAWING

REVISION HISTORY			
REV	DESCRIPTION	DATE	APPROVED
-	DCN 40883	10/14	STW



MATERIAL:

BODY: BRASS
 CONTACT: BERYLLIUM COPPER
 INSULATOR: PTFE

FINISH:

BODY: NICKEL

CONTACT: GOLD

PERFORMANCE:

OPERATING TEMP.: -55°C TO +125°C

NOTES:

- INTERFACE : IEC 169-16
MIL-C-39012, N

MATERIAL: SEE NOTES	DIMENSIONS ARE IN INCHES TOLERANCES: FRACTIONAL: ±1/64 ANGULAR: X° ±1'0" X°X' ±15'	UNLESS OTHERWISE SPECIFIED 1) ALL DIMENSIONS ARE IN INCHES (MILLIMETERS) 2) ALL DIMENSIONS ARE AFTER PLATING. 3) BREAK CORNERS & EDGES .005 R. MAX. 4) CHAM. 1ST & LAST THREADS. 5) SURFACE ROUGHNESS 63-MIL-STD-10. 6) DIA: 'S ON COMMON CENTERS TO BE CONCENTRIC WITHIN .005 T.I.R. 7) REMOVE ALL BURRS	SV Microwave, Inc. 2400 Centrepark West Drive, Suite 100 West Palm Beach, FL 33409
FINISH: SEE NOTES	DECIMAL: X ±.030 .XX ±.010 .XXX ±.005	INTERPRET DIMENSIONS AND TOLERANCES PER ASME Y14.5M - 1994	TITLE: N JACK BULKHEAD FOR Ø .085 CABLE (SOLDER)
SURFACE AREA: N/A	THIRD ANGLE PROJECTION	DRAWN: MAL 10/23/14 CHECKED: STW 10/23/14 APPROVED: STW 10/23/14	SIZE: B CAGE CODE: 95077 DWG. NO. 5021-00026
<p>PROPRIETARY</p> <p>THE INFORMATION CONTAINED IN THIS DRAWING IS THE SOLE PROPERTY OF SV MICROWAVE, INC. ANY REPRODUCTION IN PART OR AS A WHOLE WITHOUT THE WRITTEN PERMISSION OF SV MICROWAVE, INC IS PROHIBITED.</p>		SCALE: 3:1	SHEET 1 OF 1