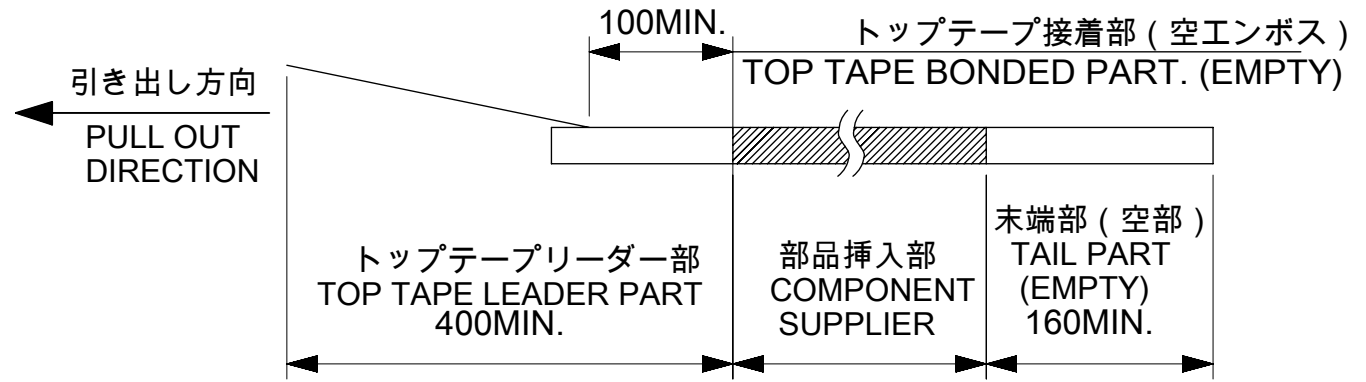


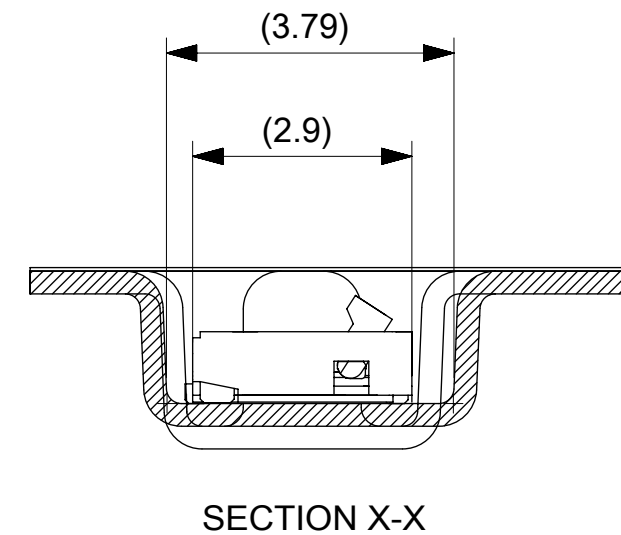
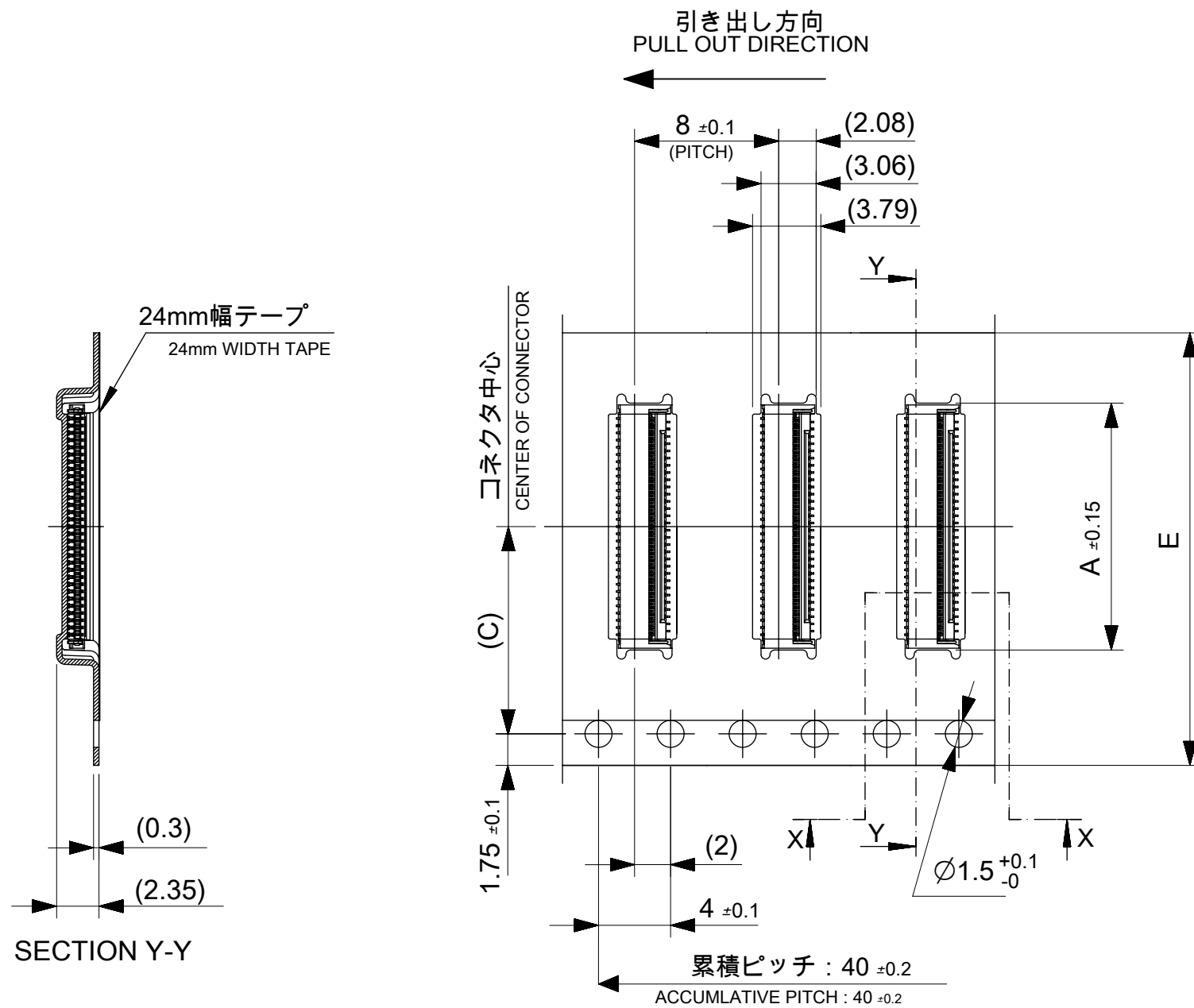
注記 NOTES

- 製品詳細寸法については図面5040701000\_PSD\_000を参照ください。  
REFER TO THE 5040701000\_PSD\_000 ABOUT DIMENSIONS IN DETAIL.
- 梱包数量 : 3000個/リール , 71極 : 5,000個 /リール  
NUMBER OF CONNECTORS : 3,000 PCS/REEL , 71CKT : 5,000PCS
- リードテープ長さ LEAD TAPE LENGTH



- 材料 MATERIAL  
 キャリアテープ(CARRIER TAPE) : ポリスチレン (POLYSTYRENE)  
 トップテープ(TOP TAPE) : PET, PE, PEF  
 リール(REEL) : ポリスチレン(PS) <リサイクル材を含む>  
 POLYSTYRENE (PS) < RECYCLE MATERIAL CONTAINED >

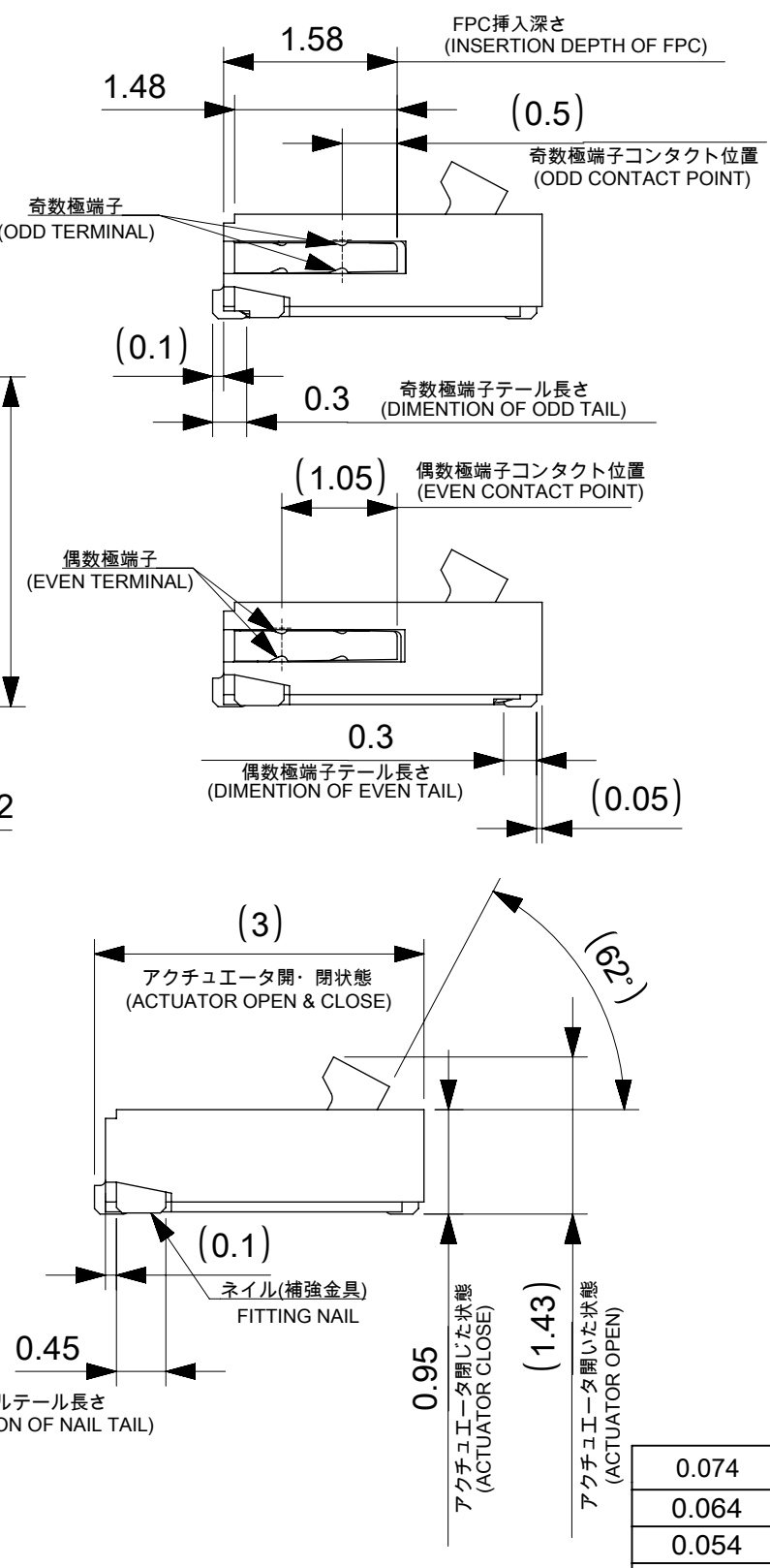
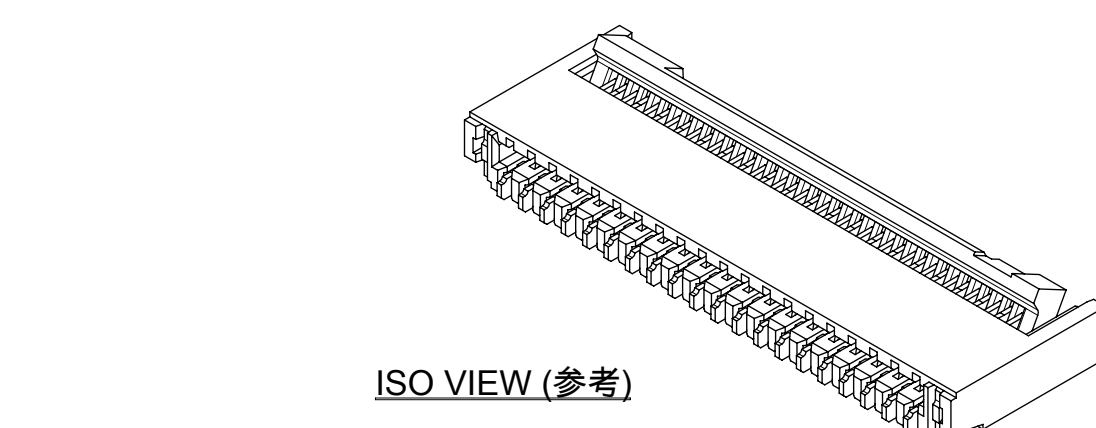
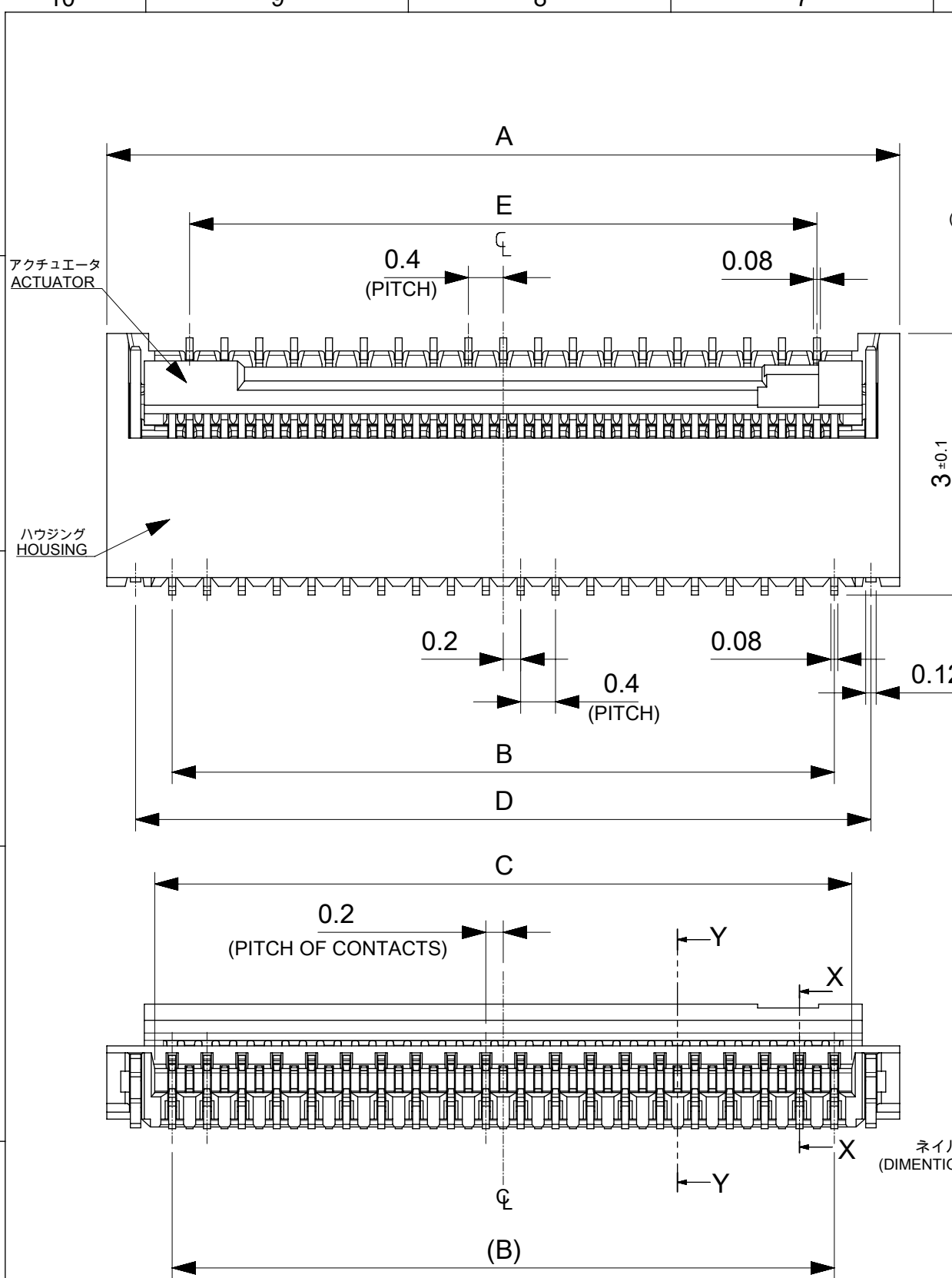
THIS DRAWING CONTAINS INFORMATION THAT IS PROPRIETARY TO MOLEX ELECTRONIC TECHNOLOGIES, LLC AND SHOULD NOT BE USED WITHOUT WRITTEN PERMISSION		CURRENT REV DESC: PROPOSED		<b>molex</b>	
DIMENSION UNITS	SCALE				
mm	NTS			PRODUCT CUSTOMER DRAWING	
GENERAL TOLERANCES (UNLESS SPECIFIED)		EC NO: 611109		DOCUMENT NUMBER	
ANGULAR TOL ± 1.0°		DRWN: AISHII 2019/01/23		5040700000	
4 PLACES ±		CHK'D: TRSUZUKI 2019/01/28		DOC TYPE DOC PART REVISION	
3 PLACES ±		APPR: RTAKEUCHI 2019/01/28		PSD 000 B	
2 PLACES ±		INITIAL REVISION:		MATERIAL NUMBER	
1 PLACE ±		DRWN: SKITAZAWA 2017/06/13		CUSTOMER	
0 PLACES ±		APPR: TKUSUHARA01 2017/07/24		GENERAL	
DRAFT WHERE APPLICABLE MUST REMAIN WITHIN DIMENSIONS		THIRD ANGLE PROJECTION	DRAWING	SERIES	SHEET NUMBER
			A3-SIZE	504070	1 OF 2



24±0.3	11.5	25.4	15.7	5040707181	5,000	71
			13.7	5040706191	3,000	61
			11.7	5040705191	3,000	51
			9.3	5040703991	3,000	39
E キャリアテープ幅 EMBOSSSED TAPE WIDTH	C	B	A	オーダー番号 ORDER NO.	個数 NUMBER	極数 CIRCUITS

THIS DRAWING CONTAINS INFORMATION THAT IS PROPRIETARY TO MOLEX ELECTRONIC TECHNOLOGIES, LLC AND SHOULD NOT BE USED WITHOUT WRITTEN PERMISSION

DIMENSION UNITS mm	SCALE NTS	CURRENT REV DESC: PROPOSED		<b>molex</b>		
GENERAL TOLERANCES (UNLESS SPECIFIED)		EC NO: 611109				
ANGULAR TOL ± 1.0°		DRWN: AISHII	2019/01/23	PRODUCT CUSTOMER DRAWING		
4 PLACES ±		CHK'D: TRSUZUKI	2019/01/28	DOCUMENT NUMBER		
3 PLACES ±		APPR: RTAKEUCHI	2019/01/28	5040700000		
2 PLACES ±		INITIAL REVISION:		DOC TYPE	DOC PART	REVISION
1 PLACE ±		DRWN: SKITAZAWA	2017/06/13	PSD	000	B
0 PLACES ±		APPR: TKUSUHARA01	2017/07/24	SHEET NUMBER		
DRAFT WHERE APPLICABLE MUST REMAIN WITHIN DIMENSIONS	THIRD ANGLE PROJECTION	DRAWING	SERIES	MATERIAL NUMBER	CUSTOMER	
		A3-SIZE	504070	SEE TABLE	GENERAL	2 OF 2



注記 NOTES

- 材質 MATERIAL
  - ハウジング：熱可塑性樹脂、黒色、UL94 V-0
  - アクチュエータ：熱可塑性樹脂
  - 奇数極端子・偶数極端子：銅合金(t0.08)、ニッケル下地、金めっき
  - ネイル(補強金具)：銅合金(t0.12)、ニッケル下地、錫めっき
  - HOUSING：THERMOPLASTIC RESIN, BLACK, UL94 V-0
  - ACTUATOR：THERMOPLASTIC RESIN
  - TERMINAL：COPPER ALLOY(t0.08), GOLD OVER NICKEL PLATING
  - FITTING NAIL：COPPER ALLOY(t0.12), TIN OVER NICKEL PLATING
- めっき仕様 PLATING
  - ターミナル TERMINAL
    - 接点部：金めっき 0.1μm以上
    - テール部：金めっき
    - 下地：ニッケルめっき 1.0μm以上
    - CONTACT AREA：GOLD PLATING 0.1 MICROMETER MNIMUM
    - TAIL AREA：GOLD PLATING
    - UNDER PLATNG：NICKEL PLATING 1.0 MICROMETER MINIMUM
  - ネイル(補強金具) FITTING NAIL
    - 錫めっき 1.0μm以上
    - 下地：ニッケルめっき：1.0μm以上
    - TIN PLATING 1.0 MICROMETER MNIMUM
    - UNDER PLATNG：NICKEL PLATING 1.0 MICROMETER MINIMUM
- 端子・ネイルの平坦度は0.1mm以下とする。  
COPLANARITY OF TAILS AND FITTING NAILS :0.1 MAXIMUM.
- 各寸法の公差設定を下記のとおりとする。  
THE TOLERANCE SETTING OF EACH DIMENTION IS AS FOLLOWS.

寸法範囲 DIMENSIONAL RANGE	公差 TOLERANCES
30≦寸法値 DIMENTION	±0.3
10≦寸法値 DIMENTION < 30	±0.25
1≦寸法値 DIMENTION < 10	±0.2
0.5≦寸法値 DIMENTION < 1	±0.1
0.25≦寸法値 DIMENTION < 0.5	±0.05
寸法値 DIMENTION < 0.25	±0.03

0.074	13.6	14.84	14.4	14	15.5	5040707181	5,000	71
0.064	11.6	12.84	12.4	12	13.5	5040706191	3,000	61
0.054	9.6	10.84	10.4	10	11.5	5040705191	3,000	51
0.043	7.2	8.44	8	7.6	9.1	5040703991	3,000	39
重さ(g) WEIGHT(g)	E	D	C	B	A	EMBOSSDPACKAGE オーダー番号：ORDER NO.	個数 NUMBER	極数 CIRCUITS

CONNECTOR SERIES : 504070\*\*11

THIS DRAWING CONTAINS INFORMATION THAT IS PROPRIETARY TO MOLEX ELECTRONIC TECHNOLOGIES, LLC AND SHOULD NOT BE USED WITHOUT WRITTEN PERMISSION		CURRENT REV DESC:			
DIMENSION UNITS mm	SCALE 15:1				
GENERAL TOLERANCES (UNLESS SPECIFIED)				0.2 FPC CONN. BACK FLIP HOUSING ASSY LOW-HALOGEN	
ANGULAR TOL ± 1.0°				PRODUCT CUSTOMER DRAWING	
4 PLACES ±		EC NO: 717102		DOCUMENT NUMBER	
3 PLACES ±		DRWN: RAJAGN	2022/08/02	5040701000	
2 PLACES ±		CHK'D: SMARUYAMA	2022/08/09	DOC TYPE	DOC PART
1 PLACE ±		APPR: YNAITO	2022/08/09	000	C
0 PLACES ±		INITIAL REVISION:		REVISION	
DRAFT WHERE APPLICABLE MUST REMAIN WITHIN DIMENSIONS		DRWN: SKITAZAWA	2016/06/30		
THIRD ANGLE PROJECTION		APPR: TKUSUHARA01	2017/07/24		
DRAWING		SERIES		MATERIAL NUMBER	
A3-SIZE		504070		CUSTOMER	
				GENERAL	
				SHEET NUMBER	
				1 OF 2	

