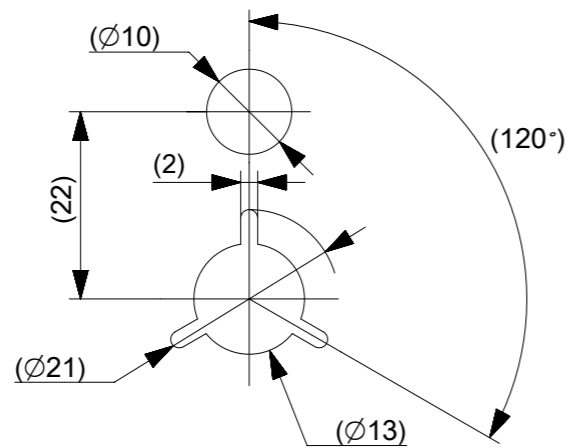
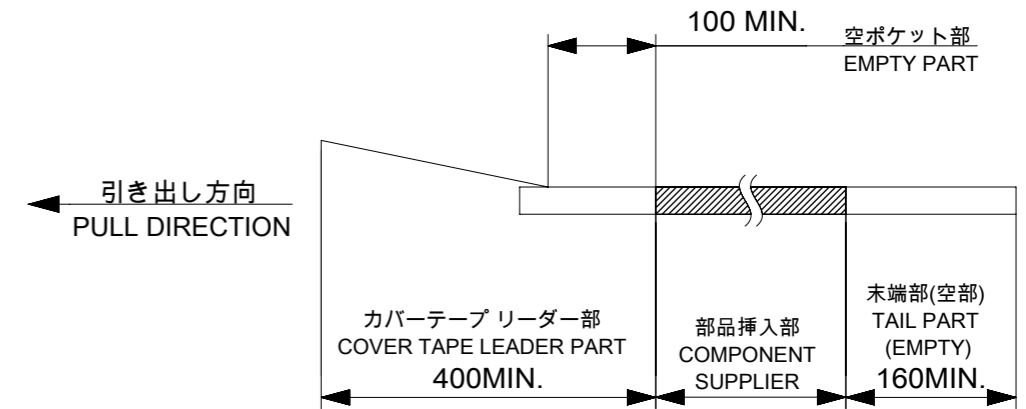


NOTES

- 製品詳細寸法については 5019511005-SDを参照下さい。  
FOR DIMENSIONS OF PRODUCT, REFER TO 5019511005-SD.
- 梱包数量 : 2000個/リール  
NUMBER OF CONNECTORS : 2000PIECES/REEL
- リードテープ長さ  
LEAD TAPE LENGTH



DETAIL K

- カバーテープの剥離強度については、IEC60286-3に準拠。  
COVER TAPE PEEL FORCE IS DEFINED BY IEC60286-3.
- 材料 MATERIAL  
キャリアテープ : ポリスチレン  
CARRIER TAPE : POLYSTYRENE  
カバーテープ : ポリエチレンテレフタレート、ポリエチレン  
COVER TAPE : POLYETHYLENE TEREPHTHALATE , POLYETHYLENE  
リール : ポリスチレン<リサイクル材を含む>  
REEL : POLYSTYRENE<RECYCLE MATERIAL CONTAINED>

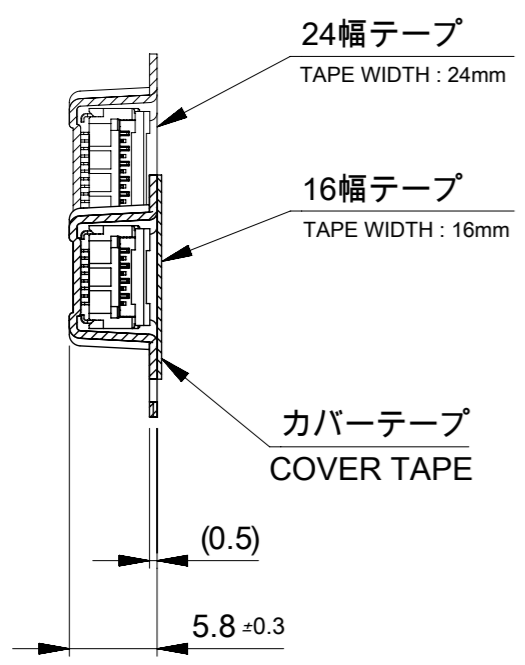
THIS DRAWING CONTAINS INFORMATION THAT IS PROPRIETARY TO MOLEX ELECTRONIC TECHNOLOGIES, LLC AND SHOULD NOT BE USED WITHOUT WRITTEN PERMISSION									
DIMENSION UNITS <b>mm</b>		SCALE <b>1:1</b>		CURRENT REV DESC:				<b>molex</b>	
GENERAL TOLERANCES (UNLESS SPECIFIED)				EC NO: 611684					
ANGULAR TOL $\pm 1.0^\circ$				DRWN: SKAWAKAMI 2019/02/07				0.5 FPC CONN. EMBSTP PKG	
4 PLACES $\pm 0.2$				CHK'D: TRSUZUKI 2019/02/07				EASY ON VERTICAL (LOW-HALOGEN)	
3 PLACES $\pm 0.2$				APPR: RTAKEUCHI 2019/02/08				PRODUCT CUSTOMER DRAWING	
2 PLACES $\pm 0.2$				INITIAL REVISION:				DOCUMENT NUMBER	
1 PLACE $\pm 0.25$				DRWN: SKAWAKAMI 2019/01/28				5019510005-SD	
0 PLACES $\pm 0.3$				APPR: RTAKEUCHI 2019/02/01				PSD 000 B	
DRAFT WHERE APPLICABLE MUST REMAIN WITHIN DIMENSIONS		THIRD ANGLE PROJECTION		DRAWING		SERIES		MATERIAL NUMBER	
		A3-SIZE		501951		SEE TABLE		CUSTOMER	
								SHEET NUMBER	
								1 OF 3	

E

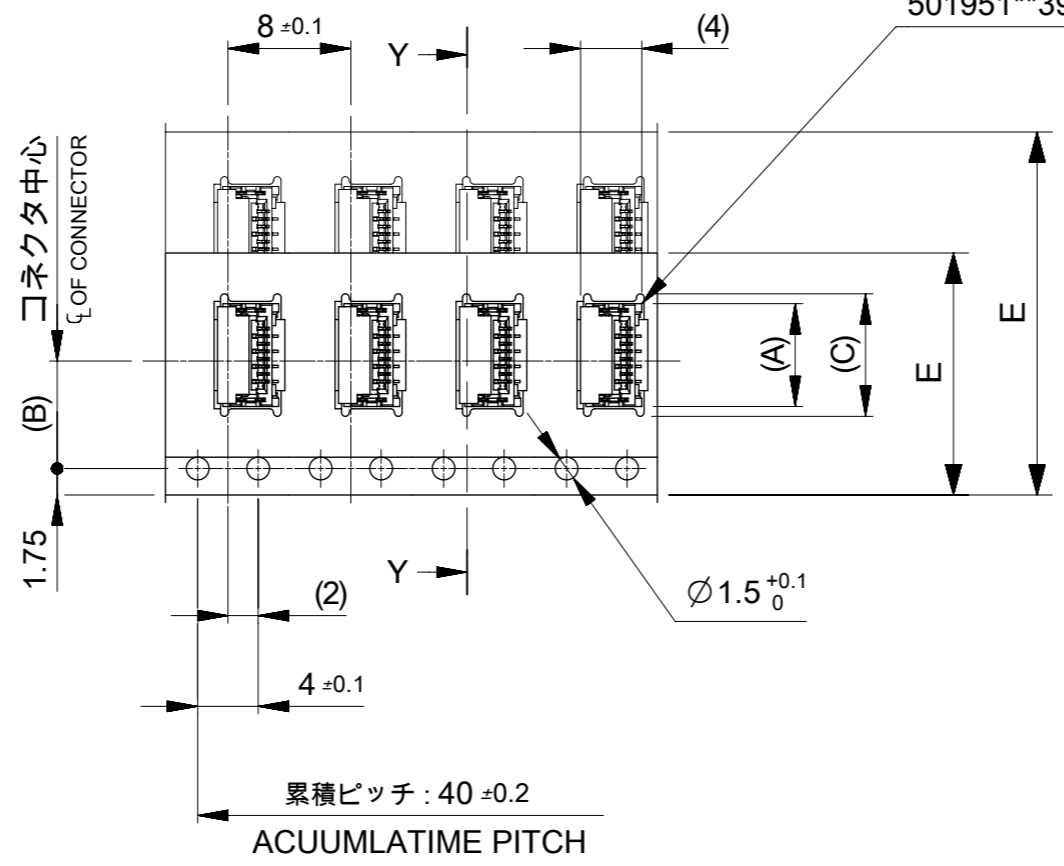
E

引き出し方向  
PULL DIRECTION

CONNECTOR SERIES No.  
501951\*\*39



SECTION Y-Y



29.4	25.4	24	11.5	15.1	14.1	5019512230	22		
				14.6	13.6	5019512130	21		
				14.1	13.1	5019512030	20		
				13.6	12.6	5019511930	19		
				13.1	12.1	5019511830	18		
				12.6	11.6	5019511730	17		
				12.1	11.1	5019511630	16		
				11.6	10.6	5019511530	15		
				11.1	10.1	5019511430	14		
				10.6	9.6	5019511330	13		
				10.1	9.1	5019511230	12		
21.4	17.4	16	7.5	9.6	8.6	5019511130	11		
				9.1	8.1	5019511030	10		
				8.6	7.6	5019510930	9		
				8.1	7.1	5019510830	8		
				7.6	6.6	5019510730	7		
G	F	E CARRIER TAPE WIDTH	D	7.1	6.1	5019510630	6		
				6.6	5.6	5019510530	5		
				6.1	5.1	5019510430	4		
				(A)	(B)	(C)	D	EMBOSSED PACKAGE ORDER NO.	CIRCUITS

THIS DRAWING CONTAINS INFORMATION THAT IS PROPRIETARY TO MOLEX ELECTRONIC TECHNOLOGIES, LLC AND SHOULD NOT BE USED WITHOUT WRITTEN PERMISSION

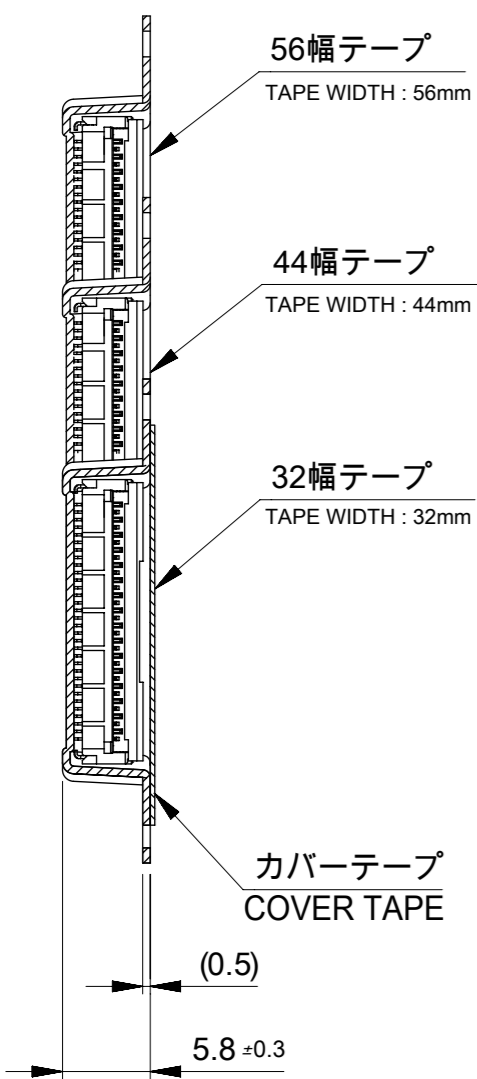
DIMENSION UNITS <b>mm</b>	SCALE <b>1:1</b>	CURRENT REV DESC:		<b>molex</b>			
GENERAL TOLERANCES (UNLESS SPECIFIED)		EC NO: 611684					0.5 FPC CONN. EMBSTP PKG EASY ON VERTICAL (LOW-HALOGEN)
ANGULAR TOL	± 1.0 °	DRWN: SKAWAKAMI 2019/02/07		PRODUCT CUSTOMER DRAWING			
4 PLACES	± 0.2	CHK'D: TRSUZUKI 2019/02/07		DOCUMENT NUMBER			
3 PLACES	± 0.2	APPR: RTAKEUCHI 2019/02/08		5019510005-SD			
2 PLACES	± 0.2	INITIAL REVISION:		DOC TYPE	DOC PART	REVISION	
1 PLACE	± 0.25	DRWN: SKAWAKAMI 2019/01/28		PSD	000	B	
0 PLACES	± 0.3	APPR: RTAKEUCHI 2019/02/01		SHEET NUMBER			
DRAFT WHERE APPLICABLE MUST REMAIN WITHIN DIMENSIONS		THIRD ANGLE PROJECTION	DRAWING	SERIES	MATERIAL NUMBER	CUSTOMER	SHEET NUMBER
			A3-SIZE	501951	SEE TABLE		2 OF 3

A

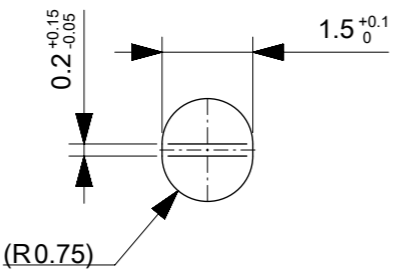
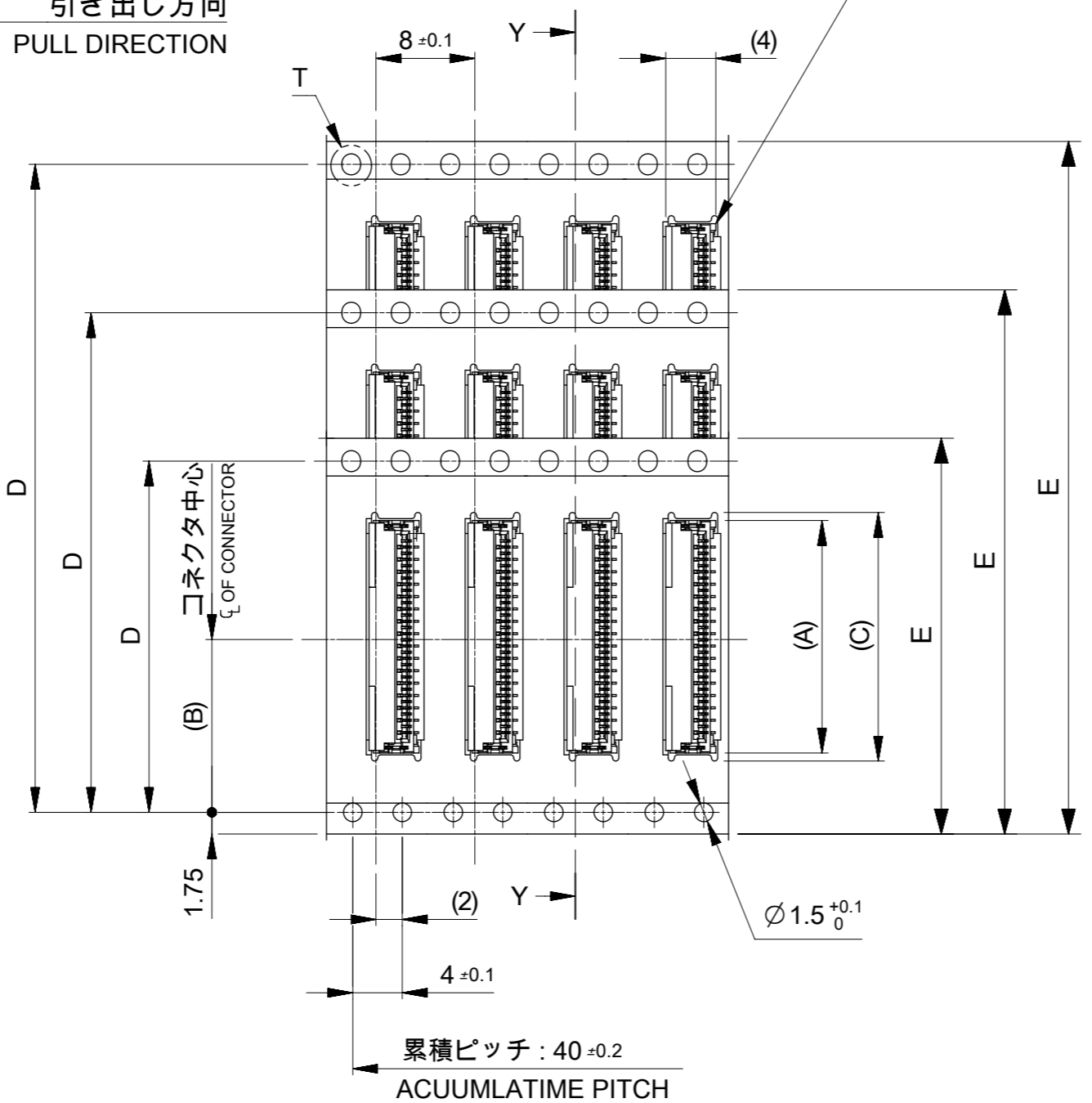
A

CONNECTOR SERIES NO.  
501951\*\*39

引き出し方向  
PULL DIRECTION



SECTION Y-Y

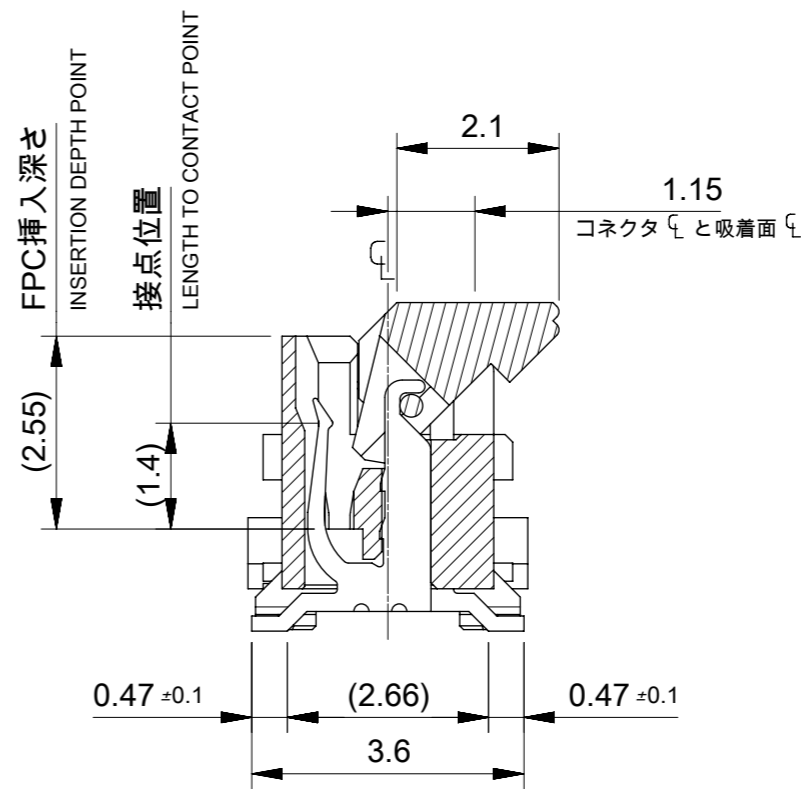
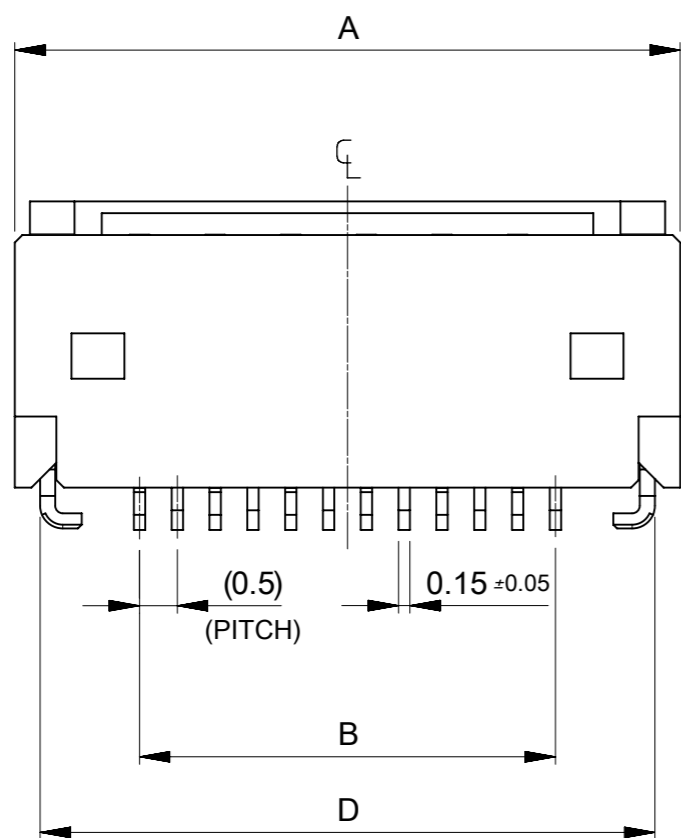
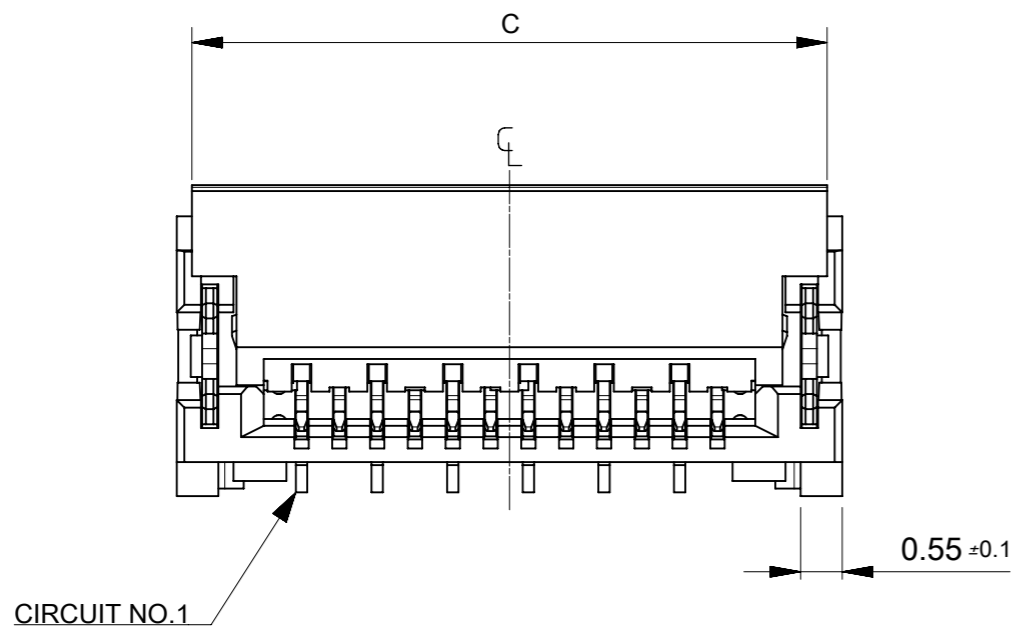


DETAIL T

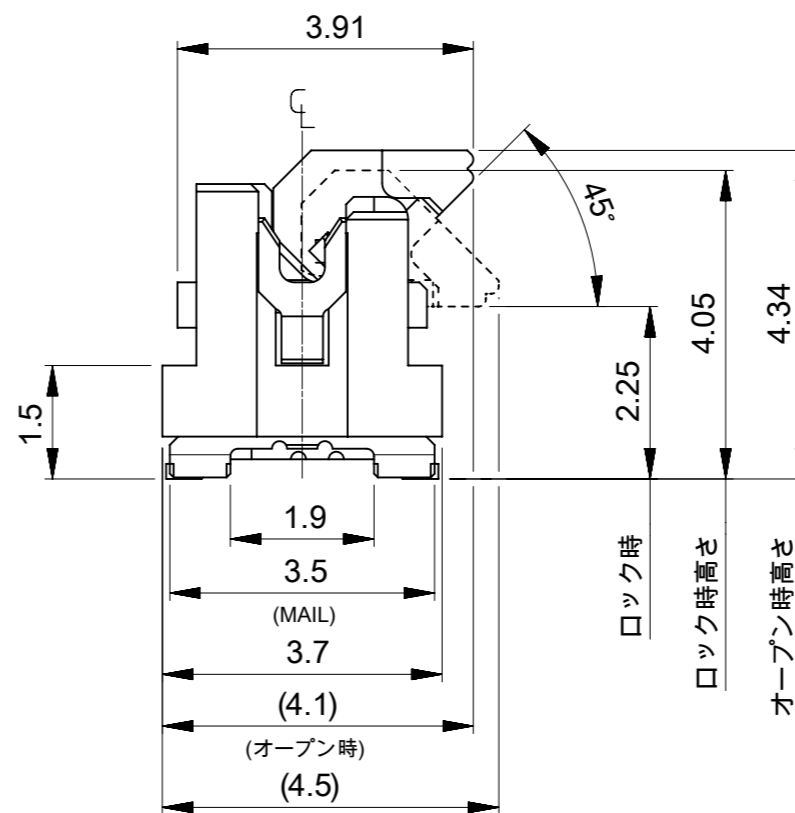
G	F	E CARRIER TAPE WIDTH	D	(C)	(B)	(A)	EMBOSSD PACKAGE ORDER NO.	CIRCUITS
61.4	57.4	56	52.4	39.1	26.2	38.1	5019517030	70
				34.1		33.1	5019516030	60
				33.6		32.6	5019515930	59
				33.1		32.1	5019515830	58
				32.6		31.6	5019515730	57
				32.1		31.1	5019515630	56
				31.6		30.6	5019515530	55
				31.1		30.1	5019515430	54
				30.6		29.6	5019515330	53
				30.1		29.1	5019515230	52
				29.6		28.6	5019515130	51
				29.1		28.1	5019515030	50
				28.6		27.6	5019514930	49
				28.1		27.1	5019514830	48
				27.6		26.6	5019514730	47
				27.1		26.1	5019514630	46
				26.6	20.2	25.6	5019514530	45
				26.1		25.1	5019514430	44
				25.6		24.6	5019514330	43
				25.1		24.1	5019514230	42
				24.6		23.6	5019514130	41
				24.1		23.1	5019514030	40
				23.6		22.6	5019513930	39
				23.1		22.1	5019513830	38
				22.6		21.6	5019513730	37
				22.1		21.1	5019513630	36
				21.6		20.6	5019513530	35
				21.1		20.1	5019513430	34
				20.6		19.6	5019513330	33
				20.1		19.1	5019513230	32
				19.6		18.6	5019513130	31
				19.1		18.1	5019513030	30
				18.6		17.6	5019512930	29
				18.1	14.2	17.1	5019512830	28
				17.6		16.6	5019512730	27
				17.1		16.1	5019512630	26
				16.6		15.6	5019512530	25
				16.1		15.1	5019512430	24
				15.6		14.6	5019512330	23

THIS DRAWING CONTAINS INFORMATION THAT IS PROPRIETARY TO MOLEX ELECTRONIC TECHNOLOGIES, LLC AND SHOULD NOT BE USED WITHOUT WRITTEN PERMISSION

DIMENSION UNITS <b>mm</b>	SCALE <b>1:1</b>	CURRENT REV DESC:		<b>molex</b>		
GENERAL TOLERANCES (UNLESS SPECIFIED)		EC NO: 611684				
ANGULAR TOL	± 1.0 °	DRWN: SKAWAKAMI 2019/02/07		PRODUCT CUSTOMER DRAWING		
4 PLACES	± 0.2	CHK'D: TRSUZUKI 2019/02/07		DOCUMENT NUMBER		
3 PLACES	± 0.2	APPR: RTAKEUCHI 2019/02/08		5019510005-SD		
2 PLACES	± 0.2	INITIAL REVISION:		DOC TYPE		
1 PLACE	± 0.25	DRWN: SKAWAKAMI 2019/01/28		PSD		
0 PLACES	± 0.3	APPR: RTAKEUCHI 2019/02/01		DOC PART		
DRAFT WHERE APPLICABLE MUST REMAIN WITHIN DIMENSIONS		THIRD ANGLE PROJECTION	DRAWING	SERIES	MATERIAL NUMBER	CUSTOMER
			A3-SIZE	501951	SEE TABLE	
						REVISION
						B
						SHEET NUMBER
						3 OF 3



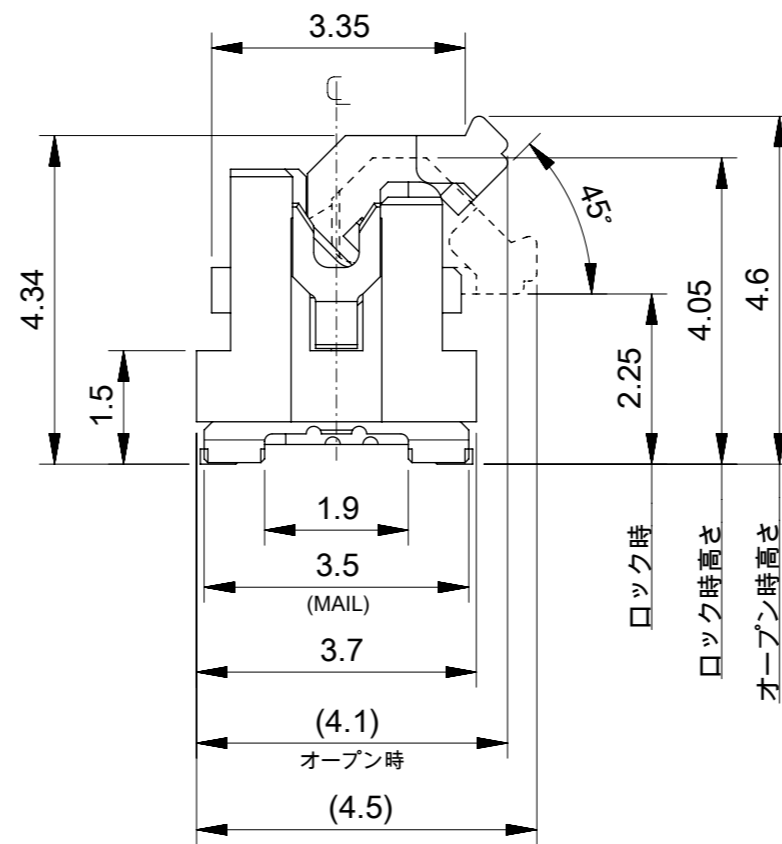
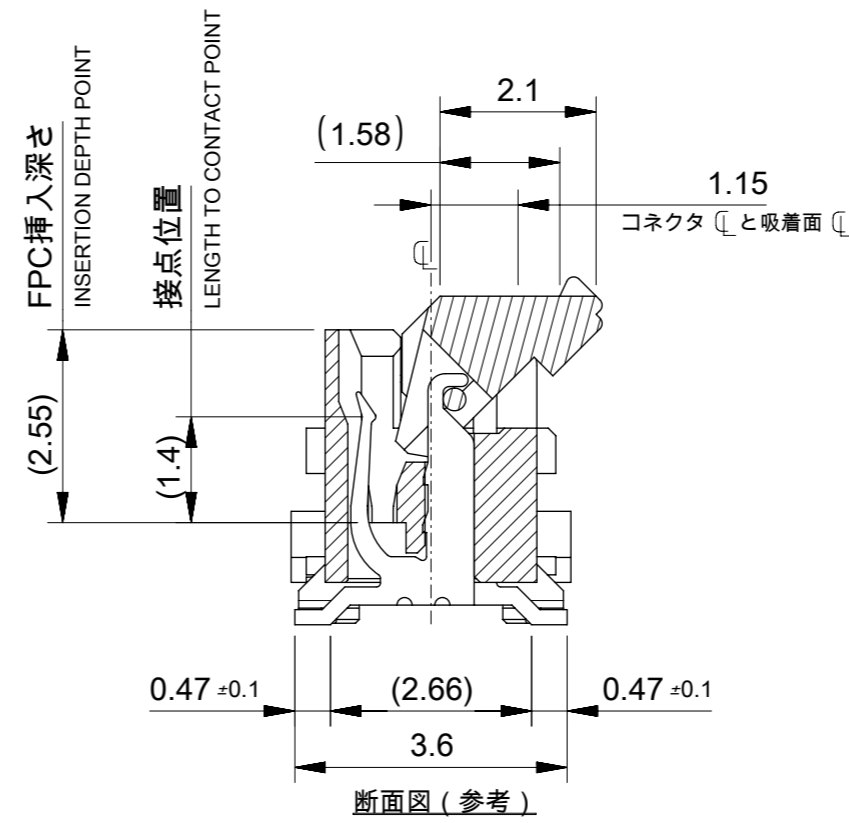
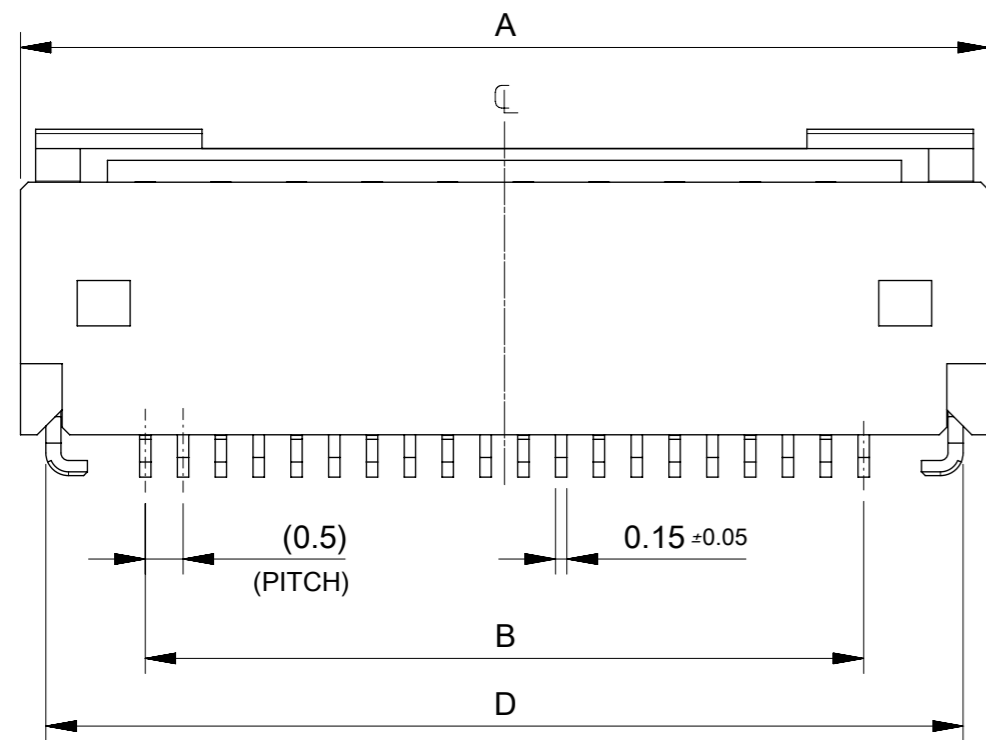
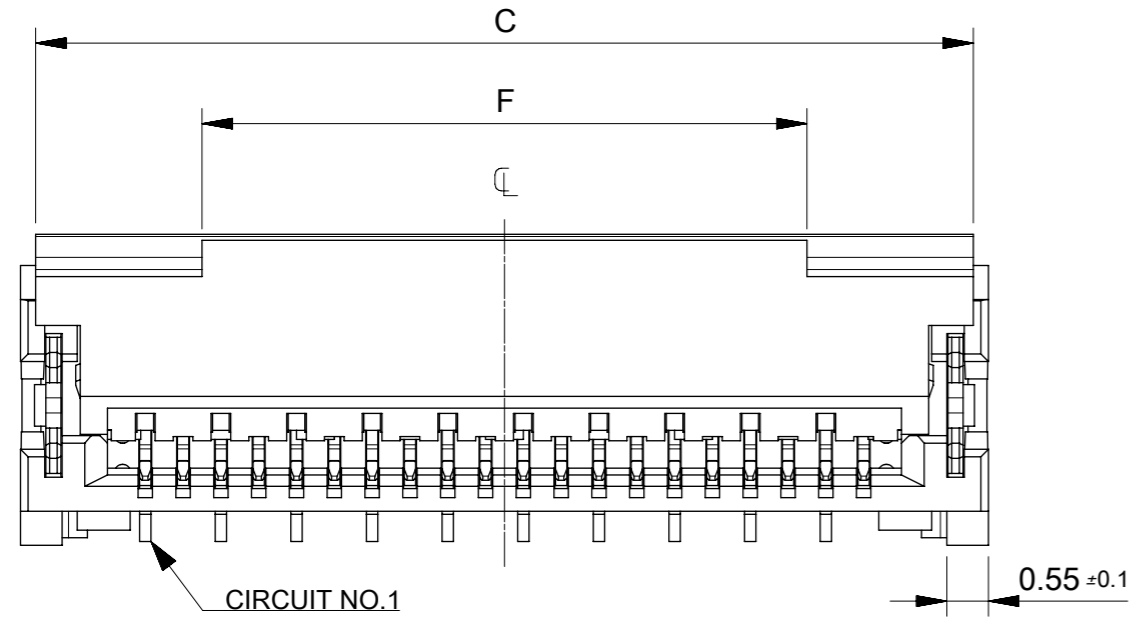
断面図 (参考)



7.7	9.1	9.4	6.5	9.8	5019511430	14
7.2	8.6	8.9	6	9.3	5019511330	13
6.7	8.1	8.4	5.5	8.8	5019511230	12
6.2	7.6	7.9	5	8.3	5019511130	11
5.7	7.1	7.4	4.5	7.8	5019511030	10
5.2	6.6	6.9	4	7.3	5019510930	9
4.7	6.1	6.4	3.5	6.8	5019510830	8
4.2	5.6	5.9	3	6.3	5019510730	7
3.7	5.1	5.4	2.5	5.8	5019510630	6
3.2	4.6	4.9	2	5.3	5019510530	5
2.7	4.1	4.4	1.5	4.8	5019510430	4
E	D	C	B	A	EMBOSSED TAPE ORDER NO.	CIRCUITS

THIS DRAWING CONTAINS INFORMATION THAT IS PROPRIETARY TO MOLEX ELECTRONIC TECHNOLOGIES, LLC AND SHOULD NOT BE USED WITHOUT WRITTEN PERMISSION

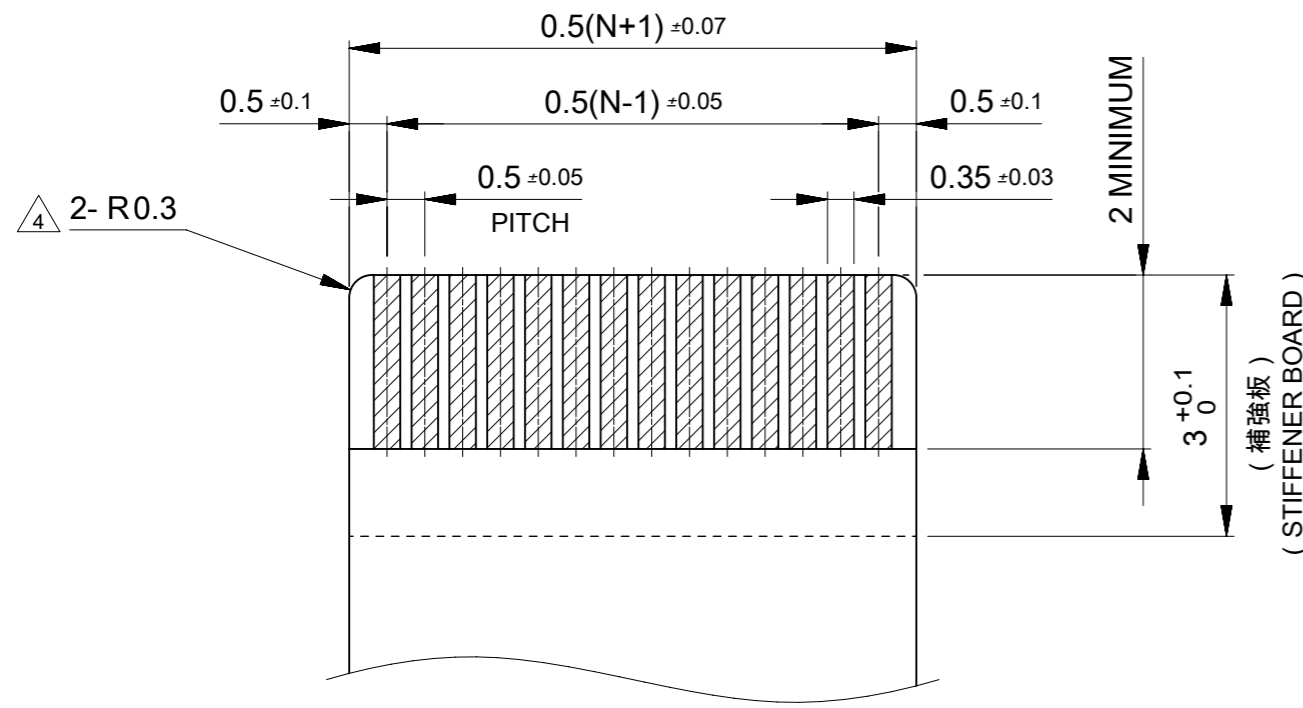
DIMENSION UNITS	SCALE	CURRENT REV DESC:					
mm	10:1						
GENERAL TOLERANCES (UNLESS SPECIFIED)		<b>molex</b> 0.5 FPC CONN. HSG ASSY EASY ON VERTICAL (LOW-HALOGEN) PRODUCT CUSTOMER DRAWING					
ANGULAR TOL	± 1.0°						
4 PLACES	± 0.2						
3 PLACES	± 0.2						
2 PLACES	± 0.2						
1 PLACE	± 0.2	INITIAL REVISION:					
0 PLACES	± 0.2	DRWN: SKAWAKAMI 2018/11/26					
DRAFT WHERE APPLICABLE MUST REMAIN WITHIN DIMENSIONS		THIRD ANGLE PROJECTION	DRAWING	SERIES	MATERIAL NUMBER	CUSTOMER	SHEET NUMBER
			A3-SIZE	501951	SEE CHART		1 OF 4



35.7	37.1	37.4	34.5	37.8	5019517030	70	
30.7	32.1	32.4	29.5	32.8	5019516030	60	
30.2	31.6	31.9	29	32.3	5019515930	59	
29.7	31.1	31.4	28.5	31.8	5019515830	58	
29.2	30.6	30.9	28	31.3	5019515730	57	
28.7	30.1	30.4	27.5	30.8	5019515630	56	
28.2	29.6	29.9	27	30.3	5019515530	55	
27.7	29.1	29.4	26.5	29.8	5019515430	54	
27.2	28.6	28.9	26	29.3	5019515330	53	
26.7	28.1	28.4	25.5	28.8	5019515230	52	
26.2	27.6	27.9	25	28.3	5019515130	51	
25.7	27.1	27.4	24.5	27.8	5019515030	50	
25.2	26.6	26.9	24	27.3	5019514930	49	
24.7	26.1	26.4	23.5	26.8	5019514830	48	
24.2	25.6	25.9	23	26.3	5019514730	47	
23.7	25.1	25.4	22.5	25.8	5019514630	46	
23.2	24.6	24.9	22	25.3	5019514530	45	
22.7	24.1	24.4	21.5	24.8	5019514430	44	
22.2	23.6	23.9	21	24.3	5019514330	43	
21.7	23.1	23.4	20.5	23.8	5019514230	42	
21.2	22.6	22.9	20	23.3	5019514130	41	
20.7	22.1	22.4	19.5	22.8	5019514030	40	
20.2	21.6	21.9	19	22.3	5019513930	39	
19.7	21.1	21.4	18.5	21.8	5019513830	38	
19.2	20.6	20.9	18	21.3	5019513730	37	
18.7	20.1	20.4	17.5	20.8	5019513630	36	
18.2	19.6	19.9	17	20.3	5019513530	35	
17.7	19.1	19.4	16.5	19.8	5019513430	34	
17.2	18.6	18.9	16	19.3	5019513330	33	
16.7	18.1	18.4	15.5	18.8	5019513230	32	
16.2	17.6	17.9	15	18.3	5019513130	31	
15.7	17.1	17.4	14.5	17.8	5019513030	30	
15.2	16.6	16.9	14	17.3	5019512930	29	
14.7	16.1	16.4	13.5	16.8	5019512830	28	
14.2	15.6	15.9	13	16.3	5019512730	27	
13.7	15.1	15.4	12.5	15.8	5019512630	26	
13.2	14.6	14.9	12	15.3	5019512530	25	
12.7	14.1	14.4	11.5	14.8	5019512430	24	
12.2	13.6	13.9	11	14.3	5019512330	23	
11.7	13.1	13.4	10.5	13.8	5019512230	22	
11.2	12.6	12.9	10	13.3	5019512130	21	
10.7	12.1	12.4	9.5	12.8	5019512030	20	
10.2	11.6	11.9	9	12.3	5019511930	19	
9.7	11.1	11.4	8.5	11.8	5019511830	18	
9.2	10.6	10.9	8	11.3	5019511730	17	
8.7	10.1	10.4	7.5	10.8	5019511630	16	
8.2	9.6	9.9	7	10.3	5019511530	15	
F	E	D	C	B	A	EMBOSSED PACKAGE ORDER NO.	CIRCUITS

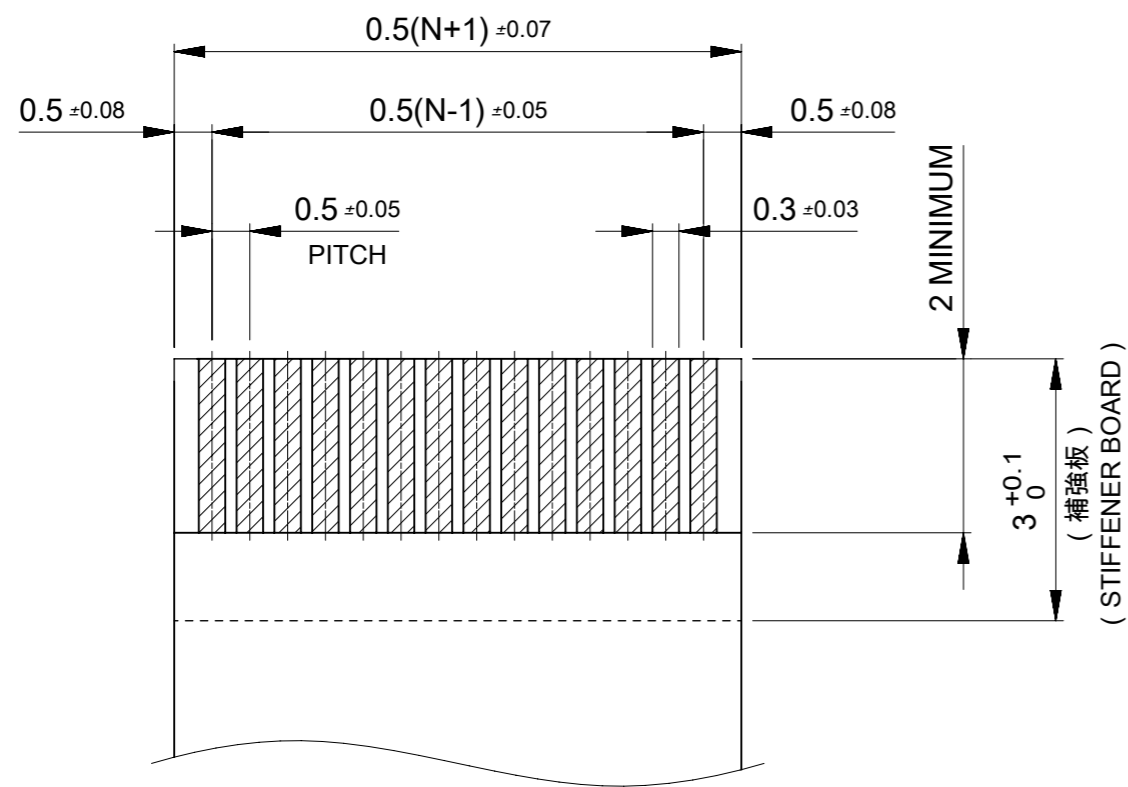
THIS DRAWING CONTAINS INFORMATION THAT IS PROPRIETARY TO MOLEX ELECTRONIC TECHNOLOGIES, LLC AND SHOULD NOT BE USED WITHOUT WRITTEN PERMISSION

DIMENSION UNITS	SCALE	CURRENT REV DESC:		<b>molex</b>
mm	10:1			
GENERAL TOLERANCES (UNLESS SPECIFIED)		EC NO: 611684		0.5 FPC CONN. HSG ASSY EASY ON VERTICAL (LOW-HALOGEN)
ANGULAR TOL	± 1.0°	DRWN: SKAWAKAMI	2019/02/07	
4 PLACES	± 0.2	CHK'D: TRSUZUKI	2019/02/07	PRODUCT CUSTOMER DRAWING
3 PLACES	± 0.2	APPR: RTAKEUCHI	2019/02/08	
2 PLACES	± 0.2	INITIAL REVISION:		DOCUMENT NUMBER
1 PLACE	± 0.2	DRWN: SKAWAKAMI	2018/11/26	5019511005-SD
0 PLACES	± 0.2	APPR: RTAKEUCHI	2019/02/01	DOC TYPE
DRAFT WHERE APPLICABLE MUST REMAIN WITHIN DIMENSIONS		THIRD ANGLE PROJECTION	DRAWING	DOC PART
			A3-SIZE	000
		SERIES	MATERIAL NUMBER	REVISION
		501951	SEE CHART	B
		CUSTOMER	SHEET NUMBER	
			2 OF 4	



適合FPC推奨寸法  
APPLICABLE FPC  
RECOMMENDED DIMENSION  
(仕上がり厚さ : 0.3±0.05)  
(THICKNESS : 0.3±0.05)

N : 極数  
N : CIRCUITS



適合FFC推奨寸法  
APPLICABLE FFC  
RECOMMENDED DIMENSION  
(仕上がり厚さ : 0.3±0.05)  
(THICKNESS : 0.3±0.05)

N : 極数  
N : CIRCUITS

めっき : 金めっき (0.1µm以上)  
PLATING : GOLD (0.1µm MINIMUM)  
: 下地ニッケル (1-5µm)  
: NICKEL UNDER (1-5µm)

カバーレイ : ポリイミド (25µm)  
COVER FILM : POLYIMIDE (25µm)  
熱硬化接着剤  
THERMOSETTING ADHESIVE  
導体部 : 銅箔 (35µm)  
CONDUCTOR : COPPER FOIL (35µm)  
熱硬化接着剤  
THERMOSETTING ADHESIVE  
ベースフィルム : ポリイミド (25µm)  
BASE FILM : POLYIMIDE (25µm)  
熱硬化接着剤  
THERMOSETTING ADHESIVE  
補強板 : ポリイミド  
STIFFENER : POLYIMIDE

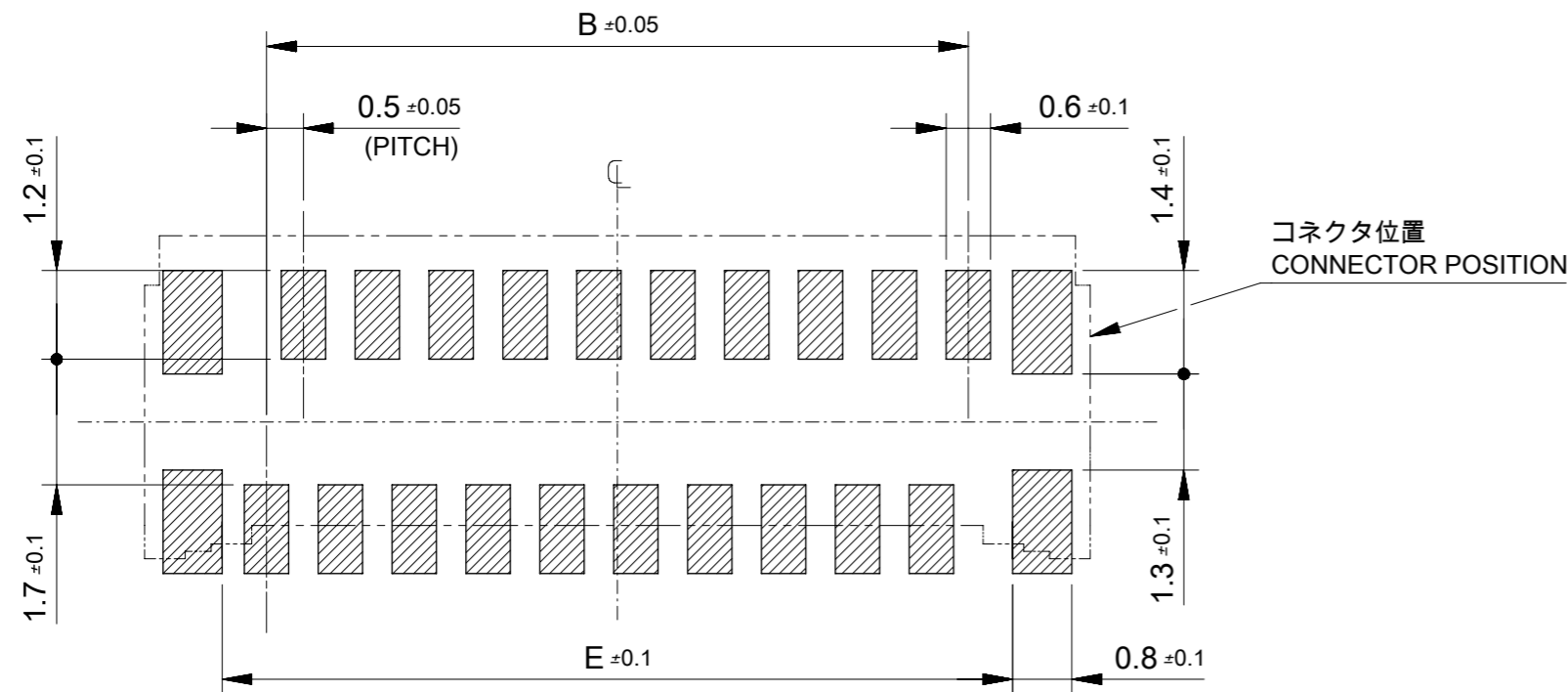
FPC構成推奨仕様  
STRUCTURE OF FPC

めっき : 金めっき (0.1µm以上)  
PLATING : GOLD (0.1µm MINIMUM)  
: 下地ニッケル (1-5µm)  
: NICKEL UNDER (1-5µm)

絶縁テープ : ポリエステル系 (25µm)  
INSULATING FILM : PET (25µm)  
接着剤 (難燃ポリエステル系)  
ADHESIVE (FLAME-RETARDANT POLYESTER ADHESIVE)  
導体部 : 銅箔 (35µm or 50µm)  
CONDUCTOR : COPPER FOIL (35µm or 50µm)  
接着剤 (難燃ポリエステル系)  
ADHESIVE (FLAME-RETARDANT POLYESTER ADHESIVE)  
絶縁テープ : ポリエステル系 (25µm)  
INSULATING FILM : PET (25µm)  
接着剤 (難燃ポリエステル系)  
ADHESIVE (FLAME-RETARDANT POLYESTER ADHESIVE)  
補強板 : ポリエステル系  
STIFFENER : PET

FFC構成推奨仕様  
STRUCTURE OF FFC

THIS DRAWING CONTAINS INFORMATION THAT IS PROPRIETARY TO MOLEX ELECTRONIC TECHNOLOGIES, LLC AND SHOULD NOT BE USED WITHOUT WRITTEN PERMISSION												
DIMENSION UNITS <b>mm</b>		SCALE <b>10:1</b>		CURRENT REV DESC:						<b>molex</b>		
GENERAL TOLERANCES (UNLESS SPECIFIED)				EC NO: 611684								
ANGULAR TOL ± 1.0°				4 PLACES ± 0.2		DRWN: SKAWAKAMI 2019/02/07		0.5 FPC CONN. HSG ASSY EASY ON VERTICAL (LOW-HALOGEN)				
3 PLACES ± 0.2				3 PLACES ± 0.2		CHK'D: TRSUZUKI 2019/02/07		PRODUCT CUSTOMER DRAWING				
2 PLACES ± 0.2				2 PLACES ± 0.2		APPR: RTAKEUCHI 2019/02/08		DOCUMENT NUMBER				
1 PLACE ± 0.2				1 PLACE ± 0.2		INITIAL REVISION:		5019511005-SD		DOC TYPE	DOC PART	REVISION
0 PLACES ± 0.2				0 PLACES ± 0.2		DRWN: SKAWAKAMI 2018/11/26		PSD		000	B	
DRAFT WHERE APPLICABLE MUST REMAIN WITHIN DIMENSIONS				THIRD ANGLE PROJECTION		DRAWING		SERIES		MATERIAL NUMBER		CUSTOMER
				A3-SIZE		501951		SEE CHART		SHEET NUMBER		
										3 OF 4		



参考基板レイアウト  
RECOMMENDED P.C.BOARD  
PATTERN DIMENSION(REF.)  
(マウント面)  
(MOUNTING SIDE)

マスク厚 : 100μm  
マスク開口率 : 100%  
SCREEN THICKNESS : 100μm  
SCREEN OPEN RATIO : 100%

## FPC/FFCについて ABOUT FPC/FFC

打ち抜き方向は導体側から補強板側を推奨します。  
 導体部については軟箔銅35μmまたは50μmを推奨します。  
 FFCに規定された定格温度がFFC単体前提である場合が御座います。  
 コネクタと組み合わせての実使用において、接着層が劣化するなどの信頼性を満足できないケースを回避するため、  
 実機での評価/確認をお願い致します。  
 RECOMMENDED PUNCHING DIRECTION: FROM CONDUCTOR SIDE TO STIFFENER SIDE  
 RECOMMENDED CONDUCTOR SPEC: SOFT COPPER FOIL  
 RECOMMENDED CONDUCTOR THICKNESS: 35 MICROMETER OR 50 MICROMETER  
 NOTE: WHEN ACTUALLY USING IT WITH CONNECTOR, PLEASE DO THE EVALUATION AND THE  
 CONFIRMATION WITH AN ACTUAL EQUIPMENT TO EVADE THE CASE WHERE RELIABILITY  
 CANNOT BE FILLED (THE ADHESIVE LINE OF FFC IS DETERIORATED ETC,)

## FPCについて ABOUT FPC

補強フィルム材質はポリイミドを推奨します。ベースフィルムは25μmを推奨します。  
 接着剤は熱硬化接着剤を推奨します。  
 尚、接着剤の接点部への付着は導通不良の原因になりますので、染み出しが無い様お願い致します。  
 RECOMMENDED MATERIAL/THICKNESS.  
 RECOMMENDED STIFFENER MATERIAL: POLYIMIDE  
 RECOMMENDED BASE FILM THICKNESS: 25 MICROMETER  
 RECOMMENDED ADHESIVE: THERMOSETTING ADHESIVE  
 NOTE: PLEASE PUT APPROPRIATE AMOUNT OF ADHESIVE ON ADHEREND BECAUSE THERE IS A  
 POSSIBILITY THAT THE EXTRA ADHESIVE CAUSES THE DEFECT IN ELECTRICAL CONTINUITY.  
 THERE IS A POSSIBILITY THAT THE PRESCRIPT TEMPERATURE OF FFC IS SET TO SINGLE IT.

### 注記 NOTES:

1. 使用材料 MATERIAL  
 ハウジング : 液晶ポリマー ガラス充填, UL94V-0(白)  
 HOUSING : LIQUID CRYSTAL POLYMER  
 GLASS FILLED, UL94V-0 (WHITE)  
 アクチュエータ : ポリアミド, ガラス充填, UL94V-0(黒)  
 ACTUATOR : POLYAMIDE, GLASS FILLED,  
 UL94V-0 (BLACK)  
 ターミナル : りん青銅(t=0.15)  
 TERMINAL : PHOSPHOR BRONZE  
 金具 : りん青銅(t=0.2)  
 FITTING NAIL : PHOSPHOR BRONZE
2. めっき仕様 PLATING  
 ターミナル TERMINAL  
 コンタクト部 : 部分金めっき(0.1μm以上)  
 テール部 : 部分金めっき  
 下地 : ニッケルめっき(1.0μm以上)  
 CONTACT AREA : SEPARATED GOLD PLATING  
 (0.1 MICROMETER MINIMUM)  
 SOLDER TAIL AREA : SEPARATED GOLD PLATING  
 UNDERPLATE : NICKEL OVERALL  
 金具 FITTING NAIL  
 ニッケル下地錫めっき  
 錫めっき(1.0μm以上)  
 ニッケルめっき(1.0μm以上)  
 TIN(Sn) OVER NICKEL(Ni) PLATING.  
 TIN PLATING (1.0 MICROMETER MINIMUM)  
 NICKEL PLATING (1.0 MICROMETER MINIMUM)
3. テールと金具を併せた平坦度は 0.1ミリメートル以下(リフロー前)  
 TAILS AND NAILS COPLANARITY  
 TO BE 0.1 MAX. (BEFORE REFLOW)
4. R0.3は、FPC導体部にかからないこと。  
 R0.3 MUST NOT BE OVERLAPPED TO PATTERN OF FPC.

THIS DRAWING CONTAINS INFORMATION THAT IS PROPRIETARY TO MOLEX ELECTRONIC TECHNOLOGIES, LLC AND SHOULD NOT BE USED WITHOUT WRITTEN PERMISSION									
DIMENSION UNITS	SCALE	CURRENT REV DESC:							
mm	1:1								
GENERAL TOLERANCES (UNLESS SPECIFIED)		EC NO: 611684			0.5 FPC CONN. HSG ASSY EASY ON VERTICAL (LOW-HALOGEN)				
ANGULAR TOL	± 1.0°	DRWN: SKAWAKAMI 2019/02/07							
4 PLACES	± 0.2	CHK'D: TRSUZUKI 2019/02/07			PRODUCT CUSTOMER DRAWING				
3 PLACES	± 0.2	APPR: RTAKEUCHI 2019/02/08							
2 PLACES	± 0.2	INITIAL REVISION:			DOCUMENT NUMBER   DOC TYPE   DOC PART   REVISION 5019511005-SD   PSD   000   B				
1 PLACE	± 0.2	DRWN: SKAWAKAMI 2018/11/26							
0 PLACES	± 0.2	APPR: RTAKEUCHI 2019/02/01			MATERIAL NUMBER   CUSTOMER   SHEET NUMBER SEE CHART     4 OF 4				
DRAFT WHERE APPLICABLE MUST REMAIN WITHIN DIMENSIONS		THIRD ANGLE PROJECTION	DRAWING	SERIES					
			A3-SIZE	501951					