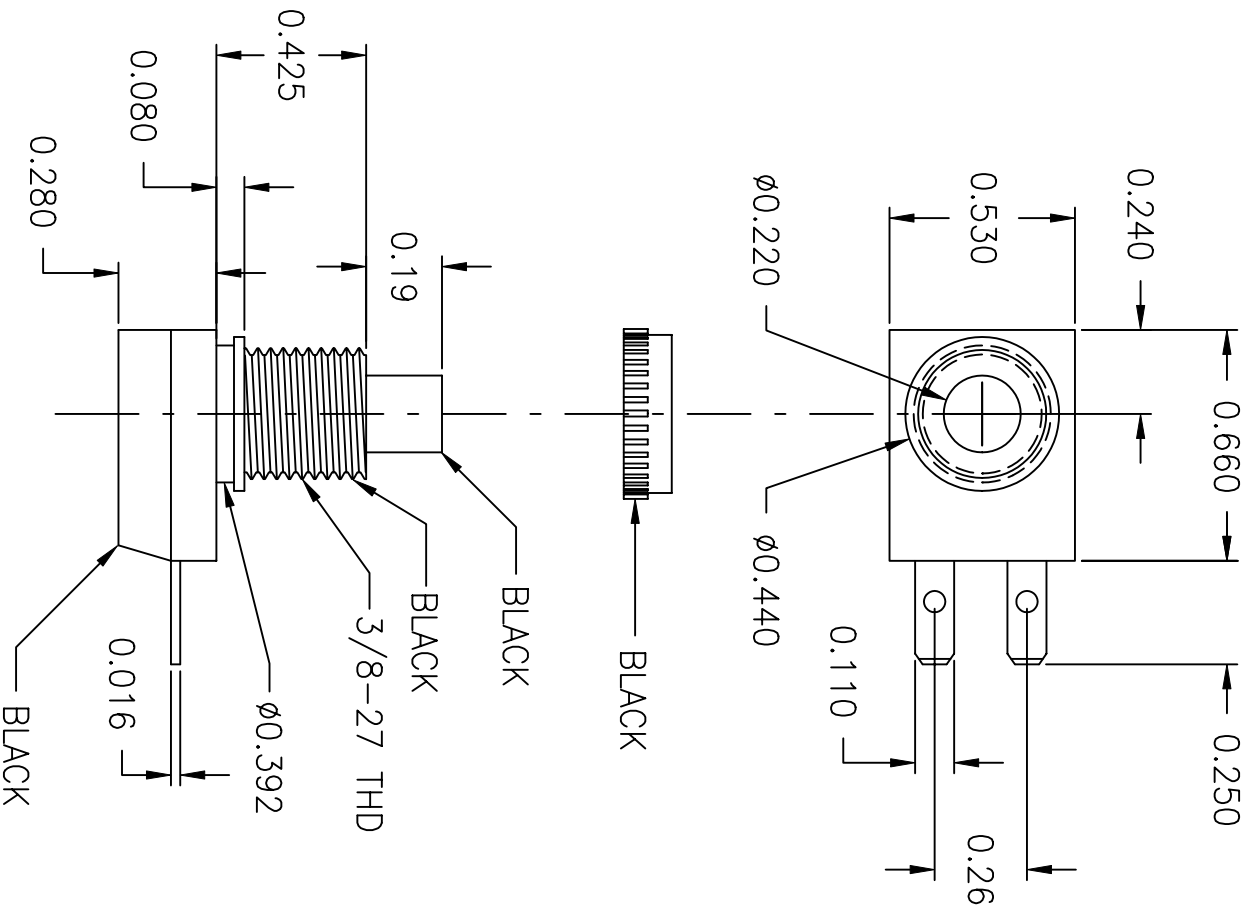


LTR	EN	DESCRIPTION	APPR	BY	DATE
A	-	INITIAL RELEASE	RB	EM	2-10-04



JUDCO INVENTORY NO. 40-2504-01
 SWITCH TYPE: SPST, MOMENTARY NORMALLY CLOSED
 NUTS PACKED SEPARATELY.

CUSTOMER: DIGI KEY
 CUST. PN: 510 PB-ND
 APPROVED BY: _____
 DATE: _____

DIMENSIONS IN INCHES
 DIMENSIONS ARE REFERENCE

DRAWN: EM	02-10-04	
APPR: KJ	02-10-04	
TITLE OUTLINE J-188A-3		DWG. NO. 1415-568
SHEET 1 OF 1		

This document embodies a product, component, and/or design proprietary to JUDCO MANUFACTURING INC., and which is protected either as a trade secret, by U.S. Patent, or by copyright. It may not be used in any way without written express consent of JUDCO MANUFACTURING INC.