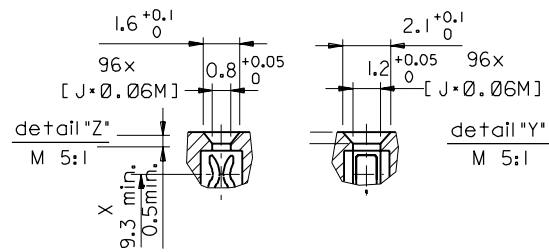
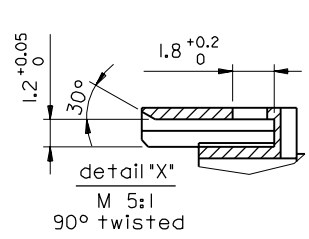
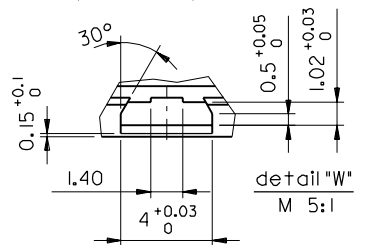
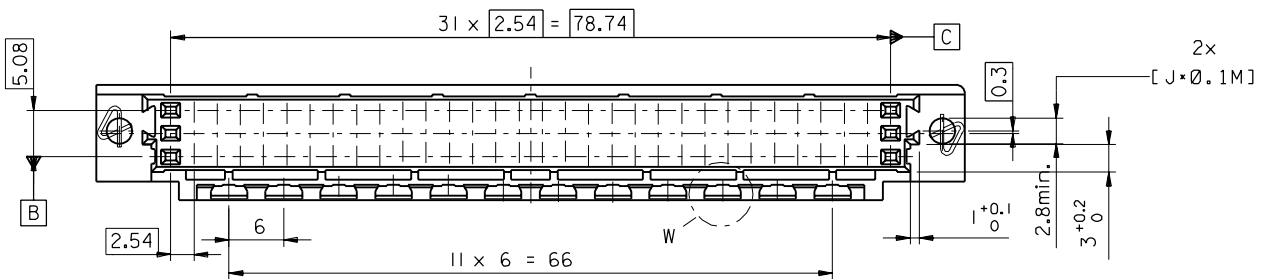
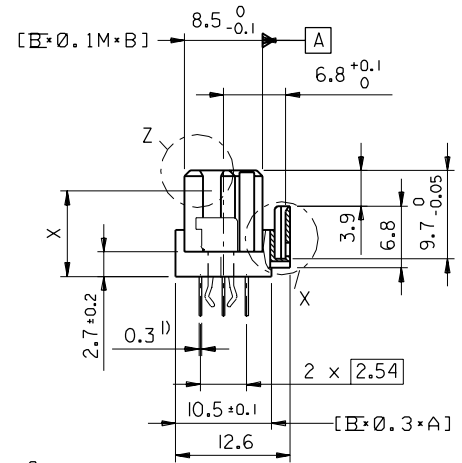
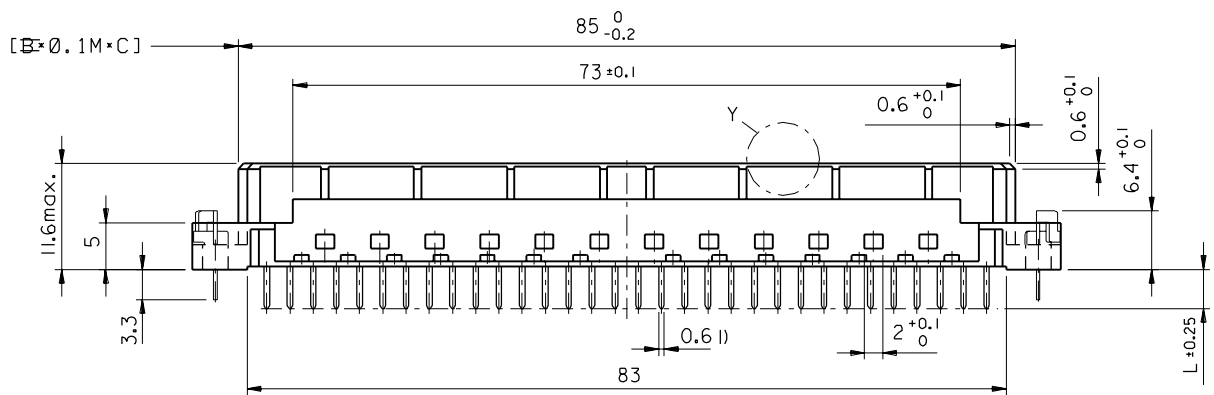


l) tails to fit in PC-board layout



FIRST ANGLE PROJECTION

REVISE ONLY ON CAD SYSTEM

ECN MG1998-2583 Schraube, Lochbild 97-09-17 KN	REVISIONS FOR PREVIOUS REVISIONS SEE MRL LIST	1	UNLESS OTHERWISE SPECIFIED TOLERANCES: ANGULAR ± 2°	DRWG BY	KN	SIGN	CAD/CAM PROJECT NAME 85042000 s12	THIS DRAWING CONTAINS INFORMATION THAT IS PROPRIETARY TO MOLEX INC. & SHOULD NOT BE USED WITHOUT WRITTEN PERMISSION
LTR		2	DRAFT WHERE APPLICABLE MUST REMAIN WITHIN DIMENSIONS	CHK'D BY	Ca			
		3	DESIGN DIMENSION <input checked="" type="checkbox"/> MM <input type="checkbox"/> IN.	APP'D BY	JB	SIGN	TITLE 96 pos. female connector DIN 41612 style C, + clip with coding, dimensions	SHEET NO. DATE 2 of 2 96/04/30
		4	EQUIVALENT DIMENSION <input type="checkbox"/> MM <input type="checkbox"/> IN.	SCALE	2:1			
		5	IF TWO DIMENSIONS ARE SHOWN THE UPPER IS THE DESIGN DIMENSION, LOWER IS SECONDARY					SIZE B

3 PLACE ±	±
2 PLACE ±	±
1 PLACE ±	±

DRWG BY	KN	SIGN
CHK'D BY	Ca	SIGN
APP'D BY	JB	SIGN
SCALE	2:1	

MOLEX	MOLEX EUROPE	SHEET NO. DATE 2 of 2 96/04/30
PART NO.	DWG NO. SDA-85042-0001	SIZE B

