

Product Specification

NHD-7.0-1024600AF-LSXP-CTP

IPS TFT Liquid Crystal Display

NHD-	Newhaven Display
7.0-	7.0" Diagonal
1024600-	1024x600 Pixels
AF-	Model
L-	LVDS Interface
S-	High Brightness, White LED Backlight
X-	TFT
P-	IPS, Wide Temperature
CTP-	Capacitive Touch Panel

Table of Contents

Document Revision History.....	2
Mechanical Drawing	3
Pin Description	4
Driver Information.....	5
Electrical Characteristics	5
Capacitive Touch Panel:	5
Optical Characteristics	6
Capacitive Touch Panel Material Characteristics:.....	6
Capacitive Touch Panel Registers	7
Timing Characteristics – TFT Display.....	10
Timing Characteristics – Capacitive Touch Panel.....	12
Quality Information	15

Additional Resources

- **Support Forum:** <https://support.newhavendisplay.com/hc/en-us/community/topics>
- **GitHub:** <https://github.com/newhavendisplay>
- **Example Code:** <https://support.newhavendisplay.com/hc/en-us/categories/4409527834135-Example-Code/>
- **Knowledge Center:** https://www.newhavendisplay.com/knowledge_center.html
- **Quality Center:** https://www.newhavendisplay.com/quality_center.html
- **Precautions for using LCDs/LCMs:** <https://www.newhavendisplay.com/specs/precautions.pdf>
- **Warranty / Terms & Conditions:** <https://www.newhavendisplay.com/terms.html>



Document Revision History

Revision	Date	Description	Changed By
0	04/22/2019	Initial Release	PK
1	06/18/2019	CTP Firmware ID & Backlight Characteristics Updated	SB
2	07/27/2020	Included Horizontal & Vertical Timing Charts	AS
3	04/27/2021	Updated the Electrical and Optical Characteristics	JT
4	08/24/2021	Updated Mechanical Drawing	ZP
5	11/22/2021	FT5426 CTP IC Version & Mechanical Drawing Update	ZP
6	03/07/2022	Mechanical Drawing Updated	ZP
7	10/31/2022	Updated CTP Electrical Characteristics, Material Characteristics, Firmware ID and Mechanical Drawing, CTP Revision upgraded to Rev4A	JT
8	02/07/2023	Mechanical Drawing Format Updated	KL

Pin Description

TFT Display:

Pin No.	Symbol	External Connection	Function Description
1	NC	-	No connection
2-3	V _{DD}	Power Supply	Supply voltage for LCD (+3.3V)
4	NC	-	No connection
5	/RES	MPU	Active LOW Reset signal (normally pull high)
6	/STBYB	MPU	Active LOW Standby signal (normally pull high)
7	GND	Power Supply	Power Ground
8	Rin0-	MPU	-LVDS differential data input CH0
9	Rin0+	MPU	+LVDS differential data input CH0
10	GND	Power Supply	Ground
11	Rin1-	MPU	-LVDS differential data input CH1
12	Rin1+	MPU	+LVDS differential data input CH1
13	GND	Power Supply	Ground
14	Rin2-	MPU	-LVDS differential data input CH2
15	Rin2+	MPU	+LVDS differential data input CH2
16	GND	Power Supply	Ground
17	CLKIN-	MPU	-LVDS differential Clock
18	CLKIN+	MPU	+LVDS differential Clock
19	GND	Power Supply	Ground
20	Rin3-	MPU	-LVDS differential data input CH3
21	Rin3+	MPU	+LVDS differential data input CH3
22	GND	Power Supply	Ground
23 - 24	NC	-	No connection
25	GND	Power Supply	Ground
26	NC	-	No Connection
27	BIST	MPU	Built in Self-Test. BIST = H: Self-Test Enabled. BIST = L: Normal Operation (Default)
28	INSEL	MPU	Data Input Format. NSEL = L 8-Bit LVDS Input (Default). INSEL = H 6-Bit LVDS Input
29	NC	-	No connection
30	GND	Power Supply	Power Ground
31-32	NC	-	No connection
33	SHLR	MPU	Gate Driver Left/Right Scan Settings. SHLR = H: Normal Scan (Default), SHLR = L: Reverse Scan
34	UPDN	MPU	Gate Driver Up/Down Scan Setting. UPDN = H: Reverse Scan. UPDN = L: Normal Scan (Default)
35	NC	-	No Connection
36-37	LED-K	Power Supply	Backlight Cathode (Ground)
38	NC	-	No connection
39-40	LED-A	Power Supply	Backlight Anode (150mA @ 19.2V)

Recommended LCD connector: 40-pin 0.5mm pitch FFC. Molex P/N: 54104-4031 (top contact)

Capacitive Touch Panel:

Pin No.	Symbol	External Connection	Function Description
1	VDD	Power Supply	Supply voltage for operation
2	GND	Power Supply	Ground
3	SCL	MPU	Serial Clock input signal
4	SDA	MPU	Serial Data input signal
5	/INT	MPU	Interrupt signal from touch panel to host
6	/RESET	MPU	Active LOW Reset signal.

Recommended CTP connector: 6-pin 1.0mm pitch FFC. Molex P/N: 52271-0679 (bottom contact)



Driver/Controller Information

TFT Display:

Built-in HX8282 Source driver: <https://support.newhavendisplay.com/hc/en-us/articles/4414530429079-HX8282-A01>

Built-in HX8696 Gate driver: <https://support.newhavendisplay.com/hc/en-us/articles/4414548297367-HX8696-A>

Capacitive Touch Panel:

Built-in FT5426-003 controller: <https://support.newhavendisplay.com/hc/en-us/articles/4414392845079-FT5x26>

Electrical Characteristics

TFT:

Item	Symbol	Condition	Min.	Typ.	Max.	Unit
Operating Temperature Range	T _{OP}	Absolute Max	-20	-	+70	°C
Storage Temperature Range	T _{ST}	Absolute Max	-30	-	+80	°C
Supply Voltage for LCD	V _{DD}	-	3.0	3.3	3.6	V
Supply Current for LCD	I _{DD}	V _{DD} = 3.3V	60	120	180	mA
LVDS Differential input high Threshold voltage	R _x V _{TH}	R _x V _{CM} = 1.2V	-	-	+100	mV
LVDS Differential input low Threshold voltage	R _x V _T L		-100	-	-	mV
LVDS Differential input common mode voltage	R _x V _{CM}	-	VID /2	-	2.4- VID /2	V
LVDS Differential voltage	VID	-	200	-	600	mV
Backlight Supply Current	I _{LED}	-	-	150	175	mA
Backlight Supply Voltage	V _{LED}	I _{LED} = 150 mA T _{OP} = 25° C	18	19.2	20.4	V
Backlight Lifetime*	-		20,000	-	-	Hrs.

*Backlight lifetime is rated as Hours until **half-brightness**, under normal operating conditions. The LED of the backlight is driven by current drain; drive voltage is for reference only. Drive voltage must be selected to ensure backlight current drain is below MAX level stated

Capacitive Touch Panel:

Item	Symbol	Condition	Min.	Typ.	Max.	Unit
Operating Temperature Range	T _{OP}	Absolute Max	-20	-	+70	°C
Storage Temperature Range	T _{ST}	Absolute Max	-30	-	+80	°C
Supply Voltage	V _{DD}	-	2.8	-	3.3	V
Supply Current – Operating	I _{DD}	-	-	15	23	mA
“H” Level input	V _I H	-	0.7* V _{DD}	-	V _{DD}	V
“L” Level input	V _I L	-	V _{SS}	-	0.3* V _{DD}	V
“H” Level output	V _O H	-	0.7* V _{DD}	-	V _{DD}	V
“L” Level output	V _O L	-	V _{SS}	-	0.3* V _{DD}	V

Optical Characteristics

Item		Symbol	Condition	Min.	Typ.	Max.	Unit
Optimal Viewing Angles	Top	$\phi Y+$	Cr \geq 10	-	85	-	$^{\circ}$
	Bottom	$\phi Y-$		-	85	-	$^{\circ}$
	Left	$\theta X-$		-	85	-	$^{\circ}$
	Right	$\theta X+$		-	85	-	$^{\circ}$
Contrast Ratio		Cr	-	500	800	-	-
Luminance		Lv	-	680	940	1280	cd/m ²
Response Time		T _R + T _F	T _{OP} = 25°C	-	25	40	ms
Chromaticity	Red	X _R	-	0.563	0.603	0.643	-
		Y _R	-	0.308	0.348	0.388	-
	Green	X _G	-	0.273	0.313	0.353	-
		Y _G	-	0.541	0.581	0.621	-
	Blue	X _B	-	0.118	0.158	0.198	-
		Y _B	-	0.066	0.106	0.146	-
	White	X _W	-	0.263	0.303	0.343	-
		Y _W	-	0.270	0.310	0.350	-

Capacitive Touch Panel Characteristics:

Item	Value
Surface Hardness	\geq 6H
Transmittance	\geq 85%
Multitouch Points	10

Capacitive Touch Panel Registers

Register No.	Access	Register Name	Bits	Value	Description
01h	RO	Gesture ID	[7:0]	1Ch	Swipe Up
				14h	Swipe Down
				10h	Swipe Left
				18h	Swipe Right
				48h	Zoom In
				49h	Zoom Out
				00	No gesture
02h	RO	Touch Points	[7:0]	0-Ah	0: No touch detected A: 10 touch points detected
03h	RO	TOUCH1_Event_Flag	[7:6]	0	Put Down
				1	Put Up
				2	Contact
				3	Reserved
03h	RO	TOUCH1_XH	[3:0]	0-1	Upper 4 bits of X touch coordinate
04h	RO	TOUCH1_XL	[7:0]	00 - FFh	Lower 8 bits of X touch coordinate
05h	RO	TOUCH1_YH	[3:0]	0-1	Upper 4 bits of Y touch coordinate
06h	RO	TOUCH1_YL	[7:0]	00 - FFh	Lower 8 bits of Y touch coordinate
07h	RO	TOUCH1_Weight	[7:0]		Touch Weight
08h	RO	TOUCH1_Misc	[3:0]	00-0Fh	Touch Area
09h	RO	TOUCH2_Event_Flag	[7:6]	0	Put Down
				1	Put Up
				2	Contact
				3	Reserved
09h	RO	TOUCH1_XH	[3:0]	0-1	Upper 4 bits of X touch coordinate
0Ah	RO	TOUCH2_XL	[7:0]	00 - FFh	Lower 8 bits of X touch coordinate
0Bh	RO	TOUCH2_YH	[3:0]	0-1	Upper 4 bits of Y touch coordinate
0Ch	RO	TOUCH2_YL	[7:0]	00 - FFh	Lower 8 bits of Y touch coordinate
0Dh	RO	TOUCH2_Weight	[7:0]		Touch Weight
0Eh	RO	TOUCH2_Misc	[3:0]	00-0Fh	Touch Area
0Fh	RO	TOUCH3_Event_Flag	[7:6]	0	Put Down
				1	Put Up
				2	Contact
				3	Reserved
0Fh	RO	TOUCH3_XH	[3:0]	0-1	Upper 4 bits of X touch coordinate
10	RO	TOUCH3_XL	[7:0]	00 - FFh	Lower 8 bits of X touch coordinate
11h	RO	TOUCH3_YH	[3:0]	0-1	Upper 4 bits of Y touch coordinate
12h	RO	TOUCH3_YL	[7:0]	00 - FFh	Lower 8 bits of Y touch coordinate
13h	RO	TOUCH3_Weight	[7:0]		Touch Weight
14h	RO	TOUCH3_Misc	[3:0]	00-0Fh	Touch Area
15h	RO	TOUCH4_Event_Flag	[7:6]	0	Put Down
				1	Put Up
				2	Contact
				3	Reserved
15h	RO	TOUCH4_XH	[3:0]	0-1	Upper 4 bits of X touch coordinate
16h	RO	TOUCH4_XL	[7:0]	00 - FFh	Lower 8 bits of X touch coordinate
17h	RO	TOUCH4_YH	[3:0]	0-1	Upper 4 bits of Y touch coordinate
18h	RO	TOUCH4_YL	[7:0]	00 - FFh	Lower 8 bits of Y touch coordinate
1Ah	RO	TOUCH4_Misc	[3:0]	00-0Fh	Touch Area
1Bh	RO	TOUCH5_Event_Flag	[7:6]	0	Put Down
				1	Put Up
				2	Contact
				3	Reserved

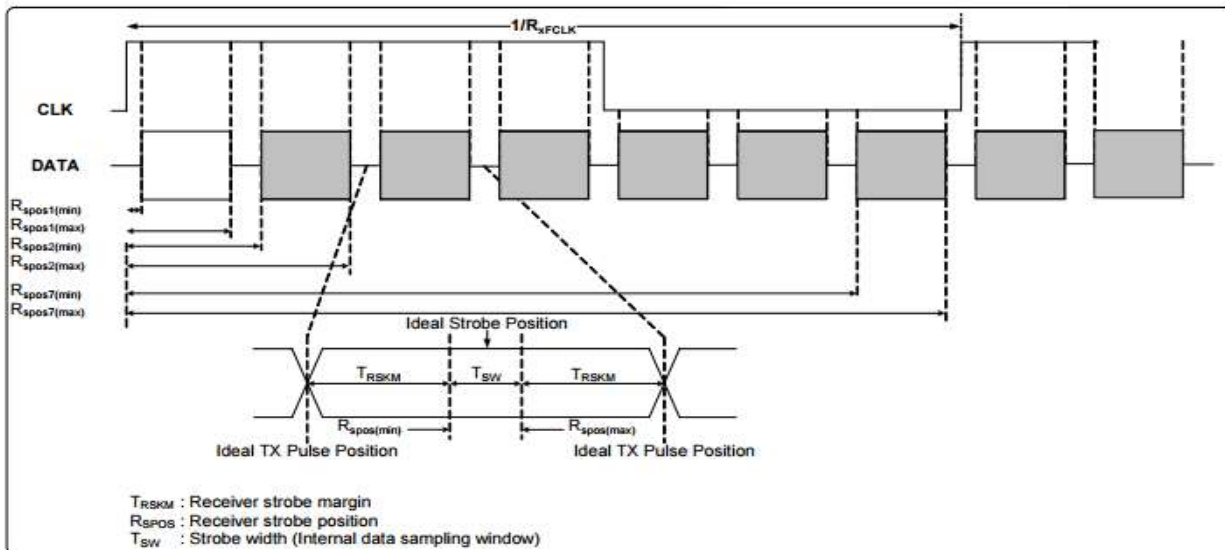
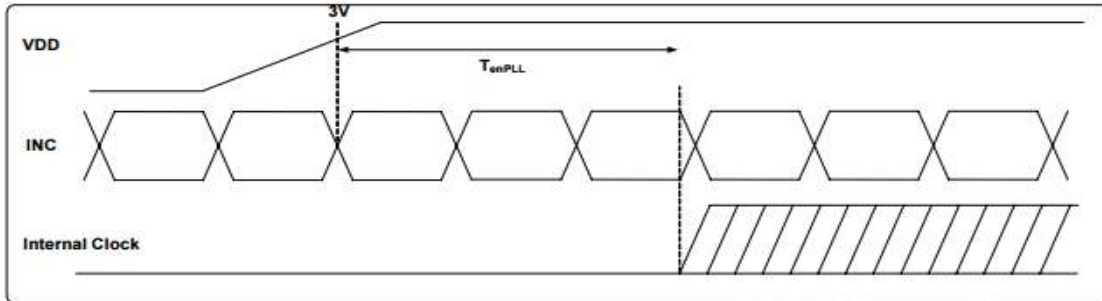
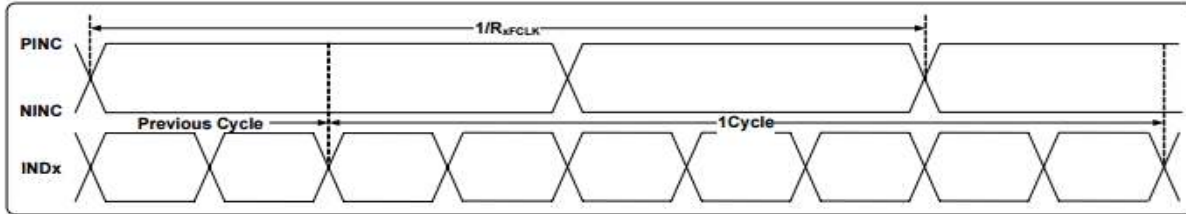
Register No.	Access	Register Name	Bits	Value	Description
1Bh	RO	TOUCH5_XH	[3:0]	0 - 1	Upper 4 bits of X touch coordinate
1Ch	RO	TOUCH5_XL	[7:0]	00 - FFh	Lower 8 bits of X touch coordinate
1Dh	RO	TOUCH5_YH	[3:0]	0 - 1	Upper 4 bits of Y touch coordinate
1Eh	RO	TOUCH5_YL	[7:0]	00 - FFh	Lower 8 bits of Y touch coordinate
1Fh	RO	TOUCH5_Weight	[7:0]		Touch Weight
20	RO	TOUCH5_Misc	[3:0]	00-0Fh	Touch Area
21h	RO	TOUCH6_Event_Flag	[7:6]	0	Put Down
				1	Put Up
				2	Contact
				3	Reserved
21h	RO	TOUCH6_XH	[3:0]	0 - 1	Upper 4 bits of X touch coordinate
22h	RO	TOUCH6_XL	[7:0]	00 - FFh	Lower 8 bits of X touch coordinate
23h	RO	TOUCH6_YH	[3:0]	0 - 1	Upper 4 bits of Y touch coordinate
24h	RO	TOUCH6_YL	[7:0]	00 - FFh	Lower 8 bits of Y touch coordinate
25h	RO	TOUCH6_Weight	[7:0]		Touch Weight
26h	RO	TOUCH6_Misc	[3:0]	00-0Fh	Touch Area
27h	RO	TOUCH7_Event_Flag	[7:6]	0	Put Down
				1	Put Up
				2	Contact
				3	Reserved
27h	RO	TOUCH7_XH	[3:0]	0 - 1	Upper 4 bits of X touch coordinate
28h	RO	TOUCH7_XL	[7:0]	00 - FFh	Lower 8 bits of X touch coordinate
29h	RO	TOUCH7_YH	[3:0]	0 - 1	Upper 4 bits of Y touch coordinate
2Ah	RO	TOUCH7_YL	[7:0]	00 - FFh	Lower 8 bits of Y touch coordinate
2Bh	RO	TOUCH7_Weight	[7:0]		Touch Weight
2Ch	RO	TOUCH7_Misc	[3:0]	00-0Fh	Touch Area
2Dh	RO	TOUCH8_Event_Flag	[7:6]	0	Put Down
				1	Put Up
				2	Contact
				3	Reserved
2Dh	RO	TOUCH8_XH	[3:0]	0 - 1	Upper 4 bits of X touch coordinate
2Eh	RO	TOUCH8_XL	[7:0]	00 - FFh	Lower 8 bits of X touch coordinate
2Fh	RO	TOUCH8_YH	[3:0]	0 - 1	Upper 4 bits of Y touch coordinate
30	RO	TOUCH8_YL	[7:0]	00 - FFh	Lower 8 bits of Y touch coordinate
31h	RO	TOUCH8_Weight	[7:0]		Touch Weight
32h	RO	TOUCH8_Misc	[3:0]	00-0Fh	Touch Area
33h	RO	TOUCH9_Event_Flag	[7:6]	0	Put Down
				1	Put Up
				2	Contact
				3	Reserved
33h	RO	TOUCH9_XH	[3:0]	0 - 1	Upper 4 bits of X touch coordinate
34h	RO	TOUCH9_XL	[7:0]	00 - FFh	Lower 8 bits of X touch coordinate
35h	RO	TOUCH9_YH	[3:0]	0 - 1	Upper 4 bits of Y touch coordinate
36h	RO	TOUCH9_YL	[7:0]	00 - FFh	Lower 8 bits of Y touch coordinate
37h	RO	TOUCH9_Weight	[7:0]		Touch Weight
38h	RO	TOUCH9_Misc	[3:0]	00 - 0Fh	Touch Area
39h	RO	TOUCH10_Event_Flag	[7:6]	0	Put Down
				1	Put Up
				2	Contact
				3	Reserved
39h	RO	TOUCH10_XH	[3:0]	0 - 1	Upper 4 bits of X touch coordinate
3Ah	RO	TOUCH10_XL	[7:0]	00 - FFh	Lower 8 bits of X touch coordinate
3Bh	RO	TOUCH10_YH	[3:0]	0 - 1	Upper 4 bits of Y touch coordinate
3Ch	RO	TOUCH10_YL	[7:0]	00 - FFh	Lower 8 bits of Y touch coordinate

Register No.	Access	Register Name	Bits	Value	Description
3Dh	RO	TOUCH10_Weight	[7:0]	00-FFh	Touch Weight
3Eh	RO	TOUCH10_Misc	[3:0]	00-0Fh	Touch Area
A1h	RO	ID_G_LIB_VERSION_H	[7:0]	00-FFh	App library version high-byte Default: 0
A2h	RO	ID_G_LIB_VERSION_L	[7:0]	00-FFh	App library version low-byte Default: 2h
A3h	RO	ID_G_CHIPER_HIGH	[7:0]	00-FFh	Chip Vendor ID Default: 0x54
A6h	RO	ID_G_FIRMID	[7:0]	00-FFh	Firmware ID Number Default: 25h
A8h	RO	ID_G_VENODRID	[7:0]	00-FFh	CTPM Vendor's Chip ID Default: 79h

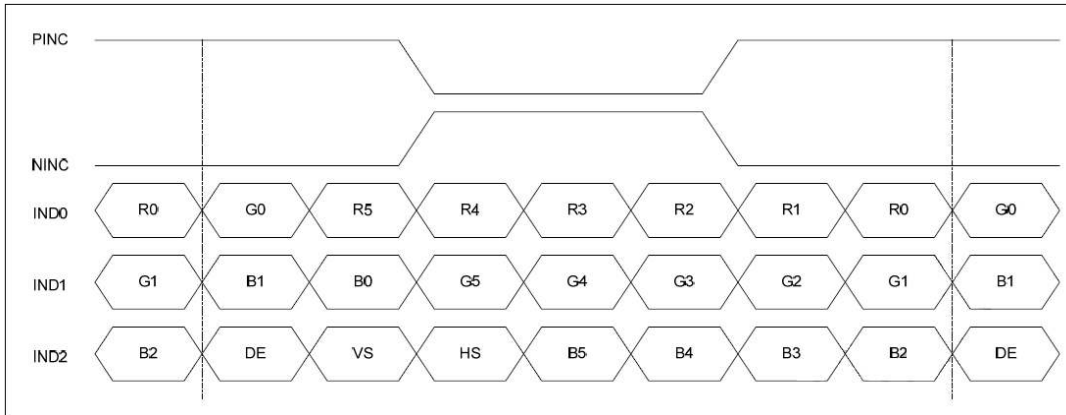
Timing Characteristics – TFT Display

Parameter	Symbol	Spec			Unit	Condition
		Min.	Typ.	Max.		
Clock frequency	R _{XFLCK}	20	-	71	MHz	-
Input data skew margin	T _{RSKM}	500	-	-	pS	VID = 400mV R _{XVCM} = 1.2V R _{XFLCK} = 71MHz
Clock high time	T _{LVCH}	-	4/(7 * R _{XFLCK})	-	nS	-
Clock low time	T _{LVCL}	-	3/(7 * R _{XFLCK})	-	nS	-
PLL wake-up time	T _{emPLL}	-	-	150	μS	-

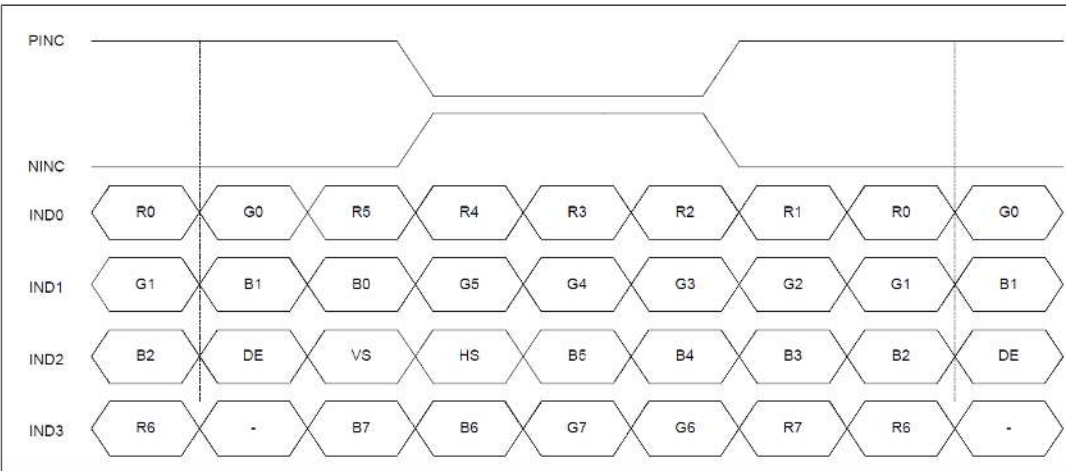
Parameter	Symbol	Spec			Unit	Condition
		Min.	Typ.	Max.		
Modulation Frequency	SSC _{MF}	23	-	93	KHz	-
Modulation Rate	SSC _{MR}	-	-	±3	%	LVDS Clock = 71 MHz



6-bit LVDS data input format:



8-Bit LVDS Data Input Format:

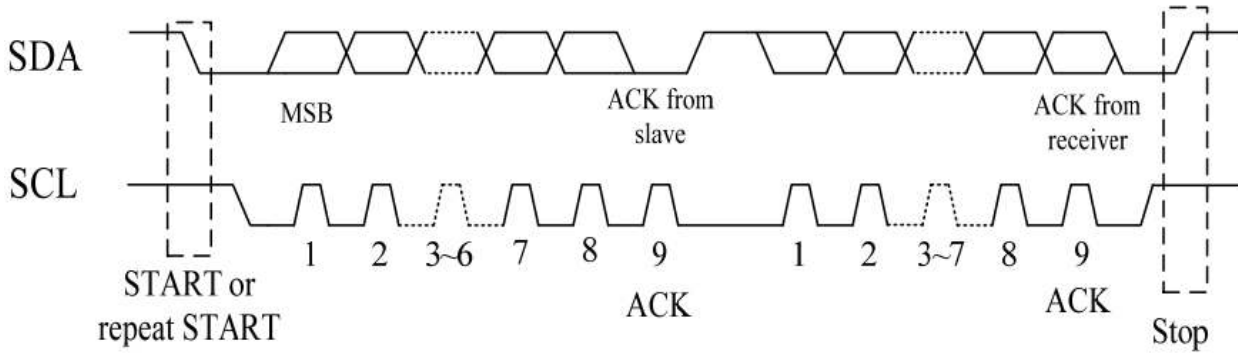


Horizontal & Vertical Timing (1024x600)

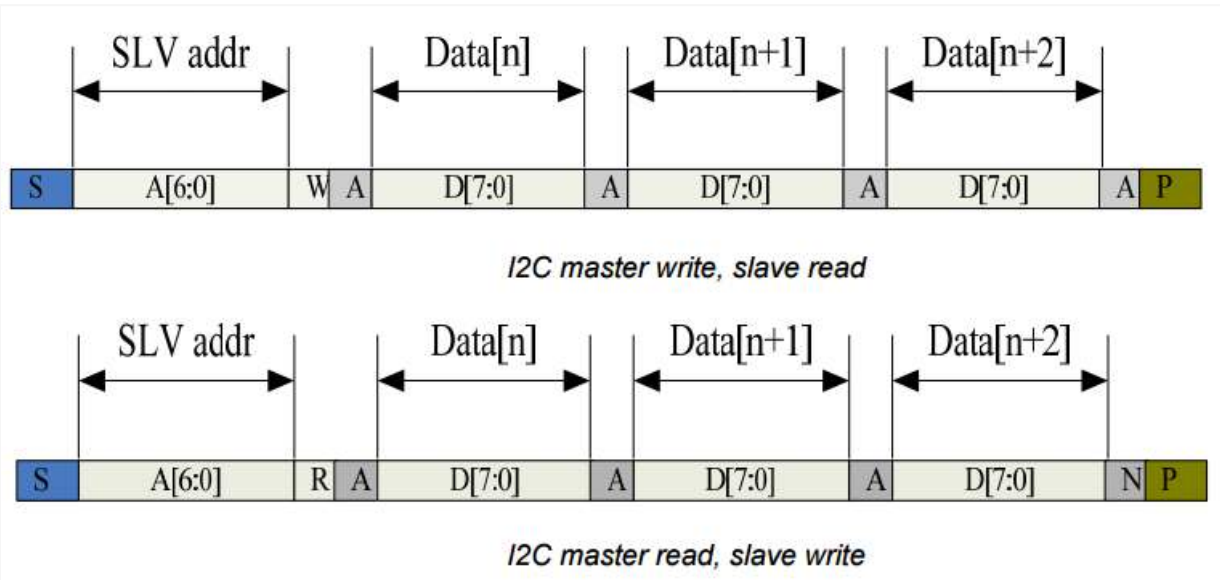
Item	Symbol	Spec.			Unit	
		Min.	Typ.	Max.		
DCLK Frequency	F _{CLK}	44.9	51.2	63	MHz	
HSYNC	Horizontal Display Area	T _{HD}			1024	DCLK
	HSD Period	T _H	1200	1344	1400	DCLK
	HSD Pulse Width	T _{HPW}	1	-	140	DCLK
	HSD Back Porch	T _{HBP}	160			DCLK
	HSD Front Porch	T _{HFP}	16	160	216	DCLK
VSYNC	Vertical Display Area	T _{VD}	600			T _H
	VSD Period	T _V	624	635	750	T _H
	VSD Pulse Width	T _{VPW}	1	-	20	T _H
	VSD Back Porch	T _{VBP}	23			T _H
	VSD Front Porch	T _{VFP}	1	12	127	T _H

Timing Characteristics – Capacitive Touch Panel

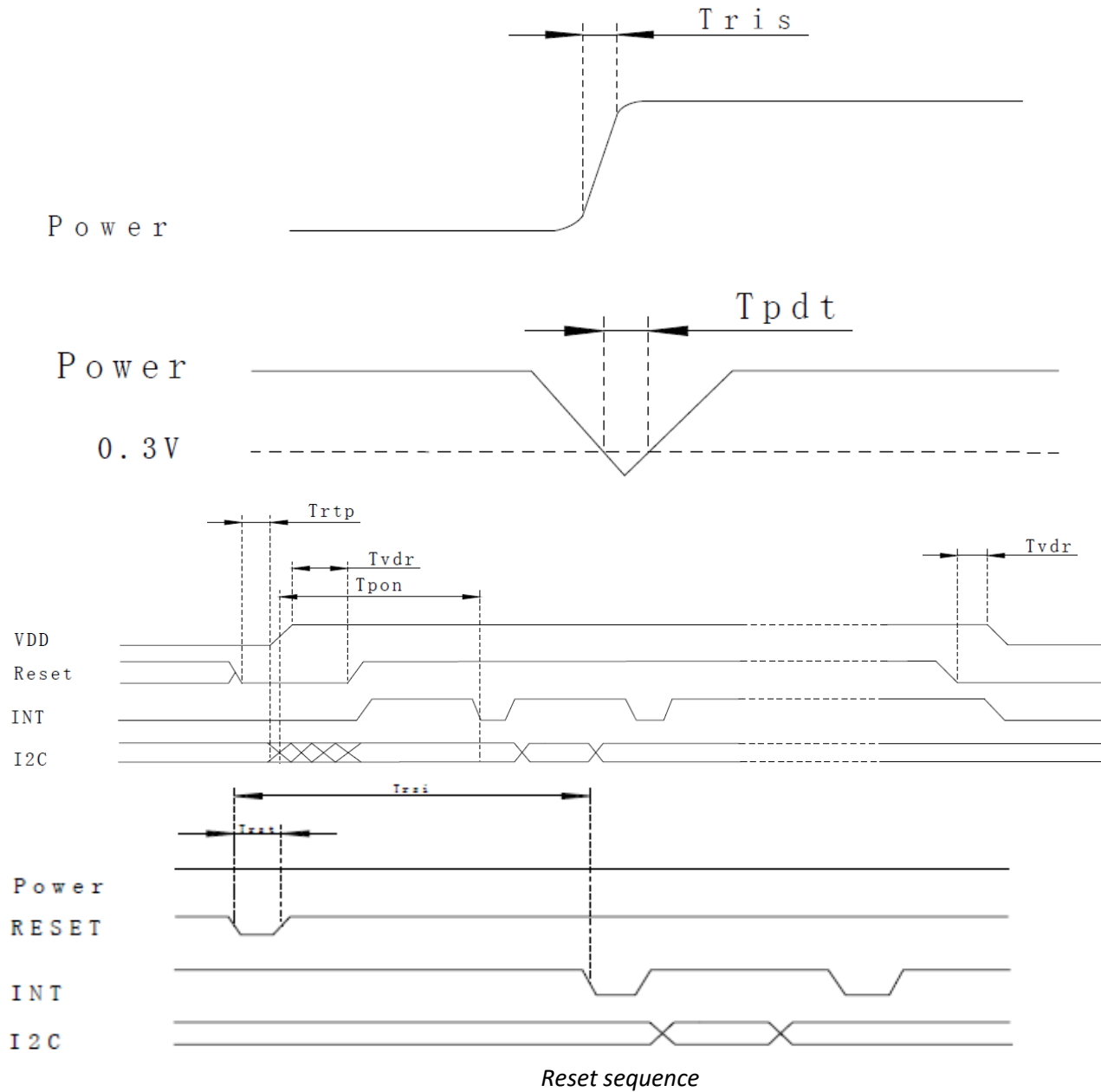
Data Transfer Format



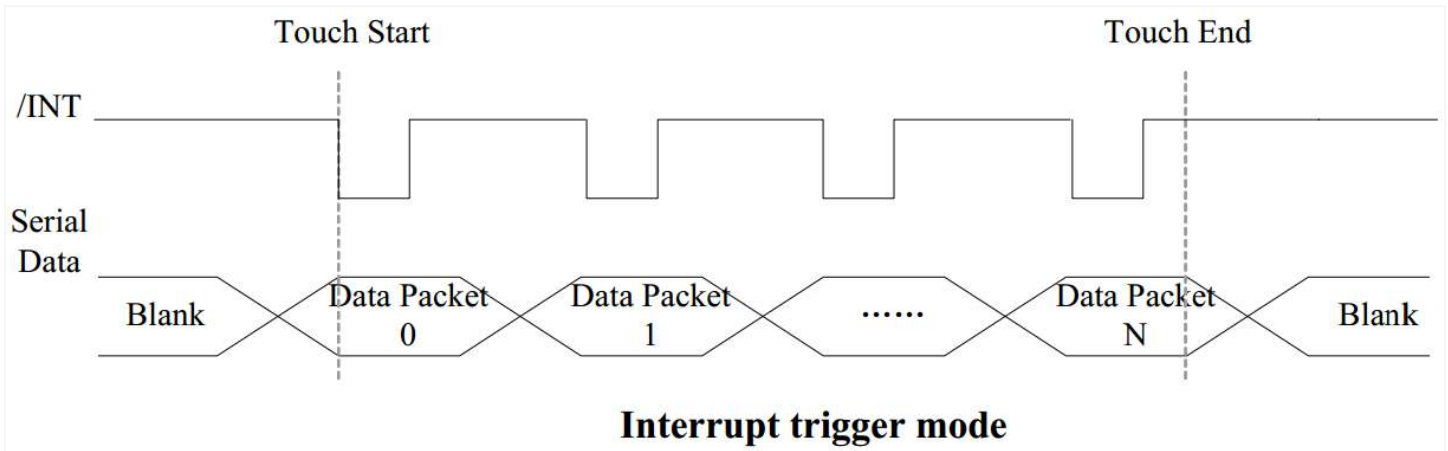
Parameter	Min	Max	Unit
SCL Frequency	0	400	KHz
Bus free time between a STOP & START condition	1.3	-	μs
Hold time Repeated START condition	0.6	-	μs
Data Setup Time	100	-	ns
Setup time for a repeated START condition	0.6	-	μs
Setup time for a STOP condition	0.6	-	μs



Power ON/Reset Sequence



Parameter	Description	Min	Max	Unit
T_{ris}	Rise time from $0.1V_{DD}$ to $0.9V_{DD}$	-	5	ms
T_{pdt}	Time of the voltage of supply being below 0.3V	5	-	ms
T_{rtp}	Time of resetting to be low before powering on	100	-	μs
T_{pon}	Time to start reporting after power on	-	200	ms
T_{vdr}	Reset time after applying V_{DD}	1	-	ms
T_{rsi}	Time to start reporting after reset	-	200	ms
T_{rst}	Reset Time	1	-	ms



Sample code to read touch data:

```

i2c_start();
i2c_tx(0x70);           //Slave Address (Write)
i2c_tx(0x00);           //Start reading address
i2c_stop();

i2c_start();
i2c_tx(0x71);           //Slave Address (Read)
for(i=0x00;i<0x1F;i++)
{touchdata_buffer[i] = i2c_rx(1);}
i2c_stop();

```

Sample code to overwrite default register values:

```

i2c_start();
i2c_tx(0x70);           //Slave Address (Write)
i2c_tx(0xA4);           //ID_G_Mode
i2c_tx(0x01);           //Disable interrupt status to host
i2c_stop();

```

Quality Information

Test Item	Content of Test	Test Condition	Note
High Temperature storage	Endurance test applying the high storage temperature for a long time.	+80°C, 240 hrs.	2
Low Temperature storage	Endurance test applying the low storage temperature for a long time.	-30°C, 240 hrs.	1,2
High Temperature Operation	Endurance test applying the electric stress (voltage & current) and the high thermal stress for a long time.	+70°C, 120 hrs.	2
Low Temperature Operation	Endurance test applying the electric stress (voltage & current) and the low thermal stress for a long time.	-20°C, 120 hrs.	1,2
High Temperature / Humidity Operation	Endurance test applying the electric stress (voltage & current) and the high thermal with high humidity stress for a long time.	+50°C, 90% RH, 120 hrs.	1,2
Thermal Shock resistance	Endurance test applying the electric stress (voltage & current) during a cycle of low and high thermal stress.	-30°C, 30min->25°C, 10min -> 80°C, 30min 10 cycles	
Vibration test	Endurance test applying vibration to simulate transportation and use.	Frequency : 250 r/min Amplitude : 1 inch Time: 45min	3
Static electricity test	Endurance test applying electric static discharge.	Air: V _s =8KV, Contact: V _s =4KV 10 Times	

Note 1: No condensation to be observed.

Note 2: Conducted after 4 hours of storage at 25°C, 0%RH.

Note 3: Test performed on product itself, not inside a container.