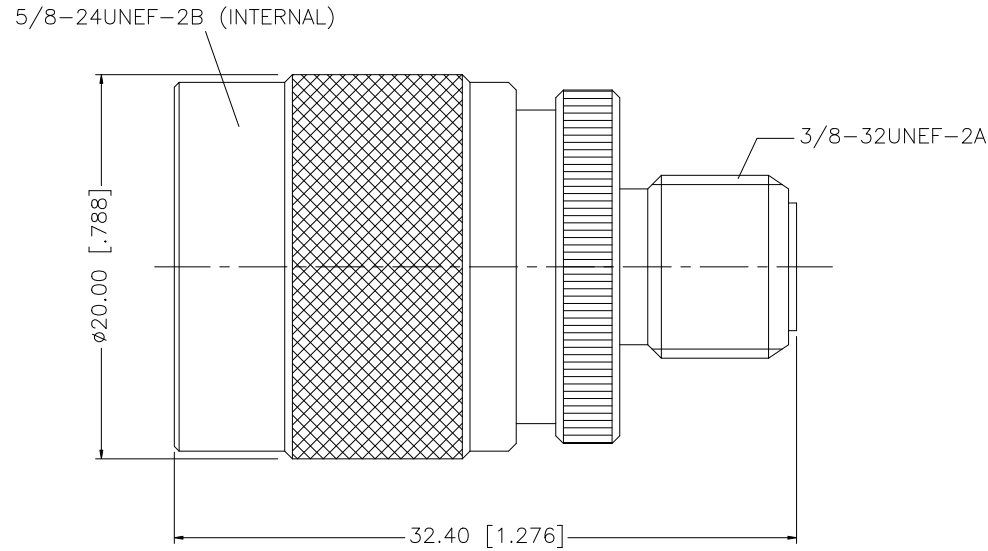


REV.	DATE	ECR NO.	DESCRIPTION
NC	03/06/00	-	INITIAL RELEASE
A	06/03/08	100024	UPDATE DRAWING FORMAT, INSULATOR REVISED TO PTFE



				UNLESS OTHERWISE SPECIFIED DIMENSIONS ARE IN MILLIMETERS. DIMENSIONS IN [] ARE IN INCHES AND FOR CUSTOMER REFERENCE ONLY.	APPROVALS	DATE	Amphenol Connex				
8					DRAWN	GRS					06/03/08
7					CHECKED			PART NO. 242156			
6					ISSUED						
5					SHEET	1 OF 1					
4	GASKET	SILICONE	RED	1	CAD FILE		C:/242/242156.DWG				
3	CONTACT PIN	BER. COPPER	GOLD	1	UNLESS OTHERWISE SPECIFIED DIMENSIONS ARE IN MILLIMETERS. DIMENSIONS IN [] ARE IN INCHES AND FOR CUSTOMER REFERENCE ONLY. UNLESS OTHERWISE SPECIFIED TOLERANCES FOR MILLIMETERS ARE: 0.5 - 8mm ± 0.20mm 8 - 30mm ± 0.40mm 30 - 120mm ± 0.50mm UNLESS OTHERWISE SPECIFIED TOLERANCES FOR INCHES ARE: .020 - .315 = ± 0.007" .315 - 1.180 = ± 0.015" 1.180 - 4.724 = ± 0.020" DO NOT SCALE DRAWING						
2	INSULATOR	PTFE	NATURAL	1							
1	BODY	BRASS	NICKEL	1							
	DESCRIPTION	MATERIAL	FINISH	QTY							