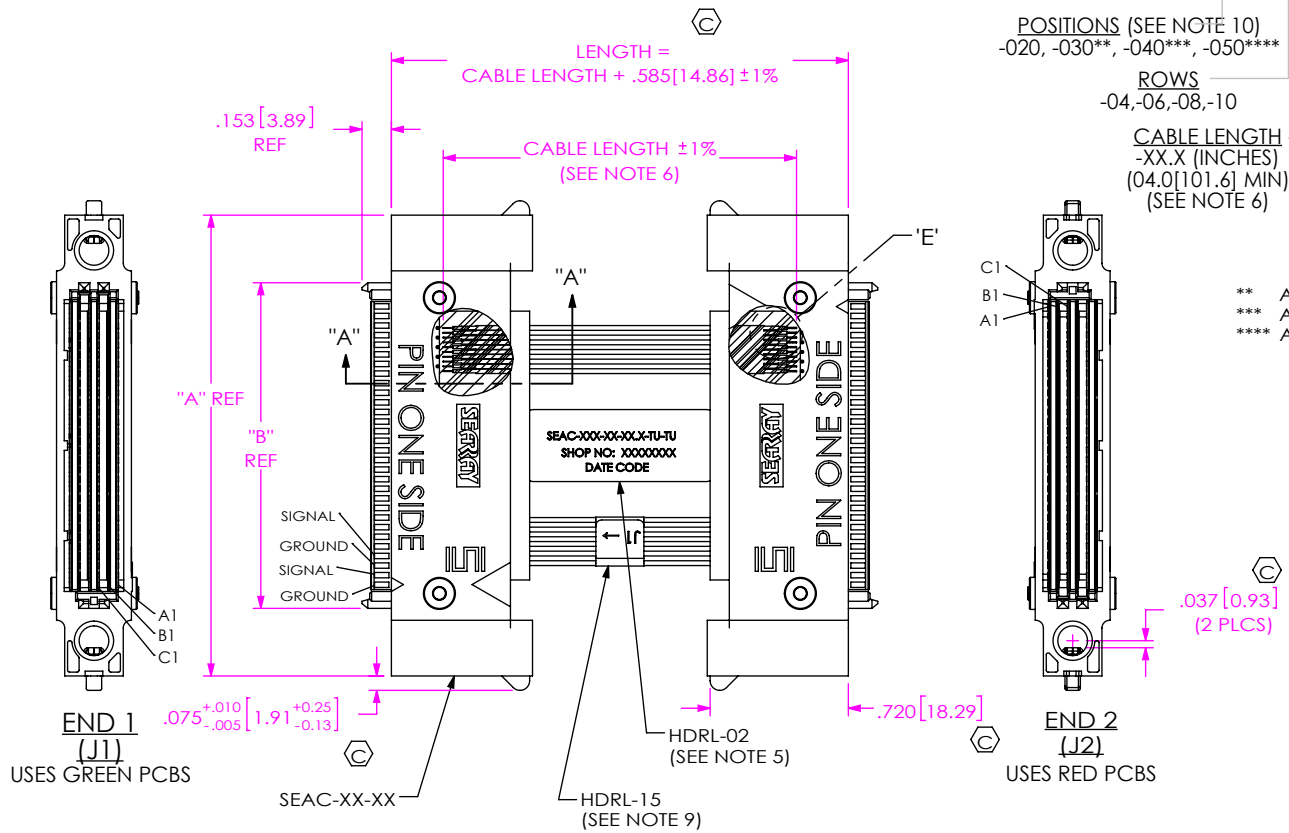


DO NOT SCALE FROM THIS PRINT

SEAC-XXX-XX-XX.X-TU-TU-X



POSITIONS (SEE NOTE 10)
-020, -030**, -040***, -050****

ROWS
-04, -06, -08, -10

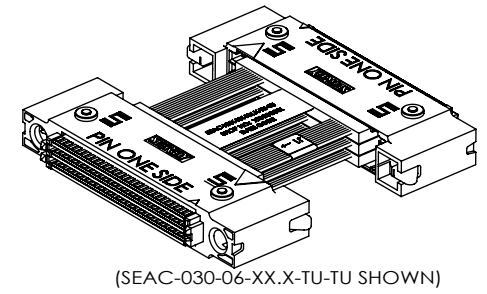
CABLE LENGTH
-XX.X (INCHES)
(04.0[101.6] MIN)
(SEE NOTE 6)

LATCH STYLE
-N: NO LATCHES (SEE FIG 2, SHT 3)
-BLANK: LEAVE BLANK FOR SIDE LATCHES (SEE FIG 1)

END TWO
-TU

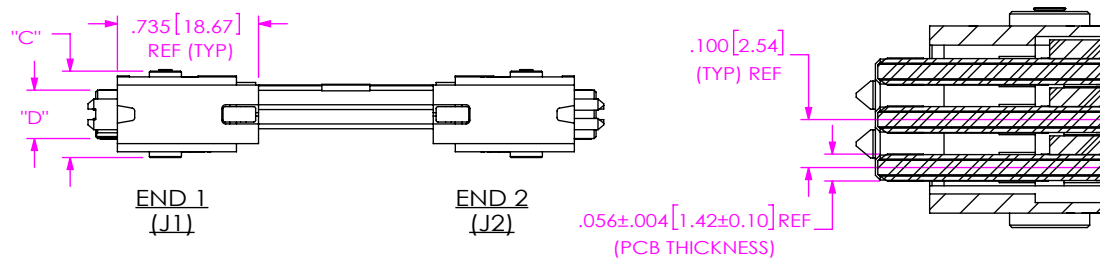
END ONE
-TU

** AVAILABLE IN -04, -06, -08 ROWS ONLY
*** AVAILABLE IN -04, -06 ROWS ONLY
**** AVAILABLE IN -04 ROWS ONLY



ROWS	"C"	"D"	No OF SUB-SEAC
-04	.350 [8.89]	.152 [3.86]	2
-06	.450 [11.43]	.252 [6.40]	3
-08	.550 [13.97]	.352 [8.94]	4
-10	.650 [16.51]	.452 [11.48]	5

No. OF POS	"A"	"B"
-20	1.900 [48.26]	1.196 [30.38]
-30	2.400 [60.96]	1.696 [43.08]
-40	2.900 [73.66]	2.196 [55.78]
-50	3.400 [86.36]	2.696 [68.48]



- NOTES:
- ⊕ REPRESENTS A CRITICAL DIMENSION.
 - ⊕ ALL ASSEMBLIES TO BE 100% ELECTRICALLY TESTED.
 - ⊕ ALL ASSEMBLIES TO BE 100% HI-POT TESTED AT 300V.
 - PACKAGE ASSEMBLIES IN ANTI-STATIC OR STATIC DISSIPATIVE BAGS.
 - LABEL TO BE CENTERED ON CABLE ASSY AS SHOWN. LABEL TO CONTAIN: PART NUMBER, SHOP ORDER & DATE CODE.
 - CABLE LENGTH GREATER THAN 40.0"[1016mm] IS A VALID PART NUMBER, BUT IS NOT SUPPORTED BY S.I. TEST DATA.
 - LATCH MINIMUM RETENTION TO BE 4.45 N (1.0lb)
 - NOTE DELETED.
 - LABEL TO BE CENTERED ON FIRST CABLE RIBBON AS SHOWN. LABEL TO CONTAIN: "J1 →" WHERE ARROW POINTS TOWARDS J1 END.
 - FOR PIN COUNTS 300 AND HIGHER PLEASE CONTACT SAMTEC.
 - REFER TO PREP-SPEC DOCUMENT FOR CABLE PREP DIMENSIONS. ASSEMBLY USES STANDARD PCB PREP.

FIG 1 (SEAC-030-06-XX.X-TU-TU)

SECTION "A"- "A" SCALE 2.5 : 1

F:\DWG\MISC\MKTG\SEAC-XXX-XX-XX.X-TU-TU-X-MKT.SLDDRW

UNLESS OTHERWISE SPECIFIED, DIMENSIONS ARE IN INCHES.

TOLERANCES ARE:
DECIMALS ANGLES
.XX: ±.01[.3] 2°
.XXX: ±.005[.13]
.XXXX: ±.0020[.051]

PROPRIETARY NOTE
THIS DOCUMENT CONTAINS CONFIDENTIAL AND PROPRIETARY INFORMATION AND ALL DESIGN, MANUFACTURING, REPRODUCTION, USE, PATENT RIGHTS AND SALES RIGHTS ARE EXPRESSLY RESERVED BY SAMTEC, INC. THIS DOCUMENT SHALL NOT BE DISCLOSED, IN WHOLE OR PART, TO ANY UNAUTHORIZED PERSON OR ENTITY NOR REPRODUCED, TRANSFERRED OR INCORPORATED IN ANY OTHER PROJECT IN ANY MANNER WITHOUT THE EXPRESS WRITTEN CONSENT OF SAMTEC, INC.

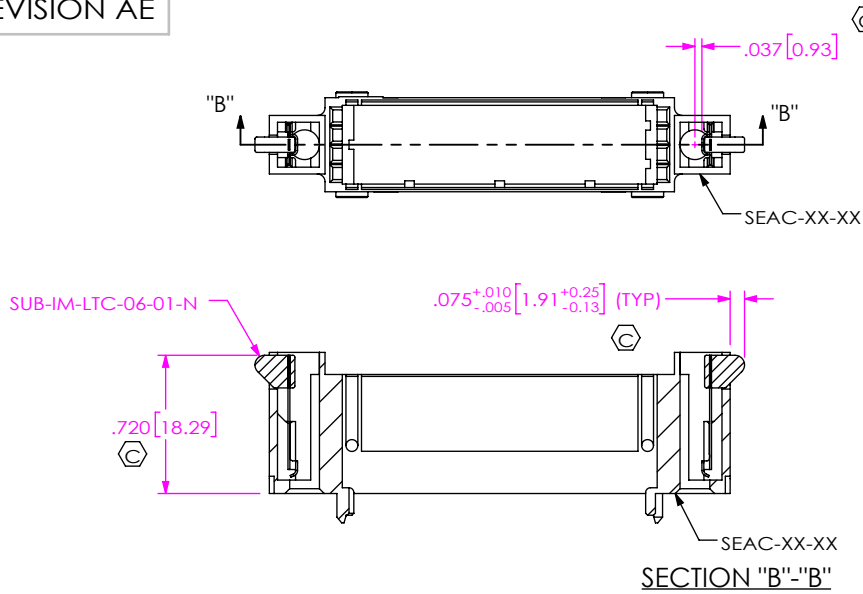
MATERIAL: DO NOT SCALE DRAWING SHEET SCALE: 1:1
SEAC-XX-XX: LCP, UL 94 V0, COLOR: BLACK
SUB-IM-LTC-06-01-N: NYLON/BeCu
SUB-SEAC-XXX-XX-XX-TU-TU: FR4/COPPER/PVC/TEFLON/MACROMELT OM646
DP-01-XX: STAINLESS STEEL
HDRL-02: POLYESTER

Pb THIS PRODUCT MANUFACTURED WITH LEAD-FREE PROCESSING

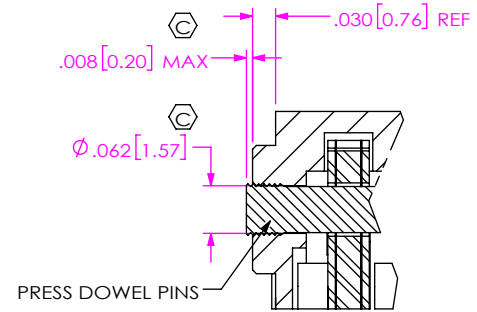
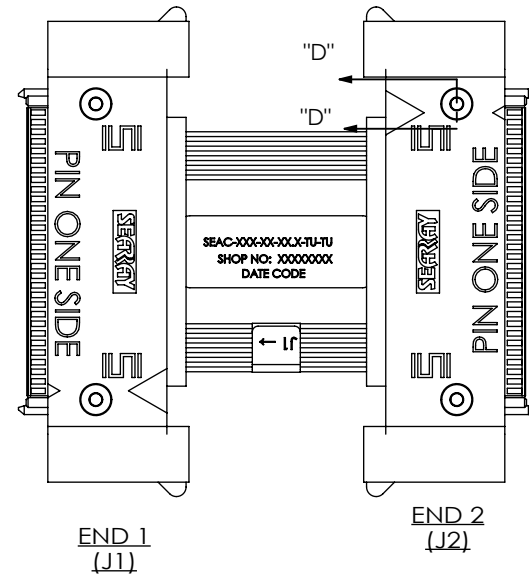


520 PARK EAST BLVD, NEW ALBANY, IN 47150
PHONE: 812-944-6733 FAX: 812-948-5047
e-Mail: info@SAMTEC.com code 55322

DESCRIPTION:
CABLE ASSEMBLY, SEAC SYSTEM
DWG. NO.
SEAC-XXX-XX-XX.X-TU-TU-X
BY: C. PIERCE 08/27/2010 SHEET 1 OF 5

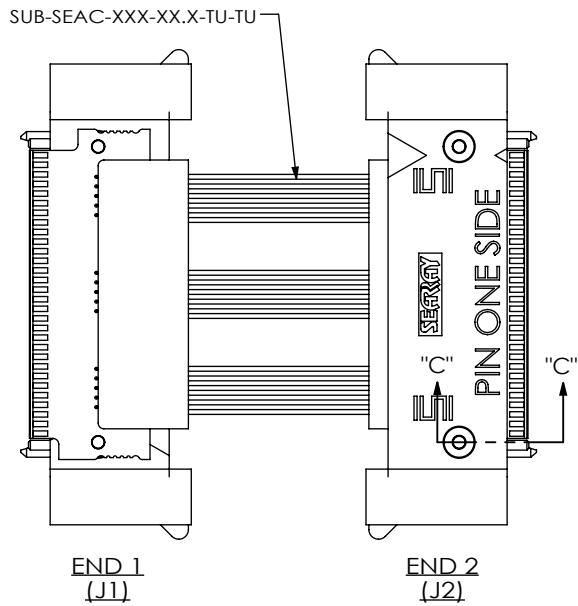


IN PROCESS 1
(INSERT SIDE LATCHES)
(FOR -BLANK LATCH STYLE)

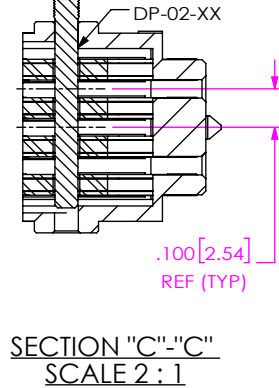


SECTION "D"- "D"
SCALE 4 : 1

IN PROCESS 3
(PRESS DOWEL PINS)



IN PROCESS 2
(INSERT CABLE SUB-ASSY
AND DOWELS)



SECTION "C"- "C"
SCALE 2 : 1

PROPRIETARY NOTE
THIS DOCUMENT CONTAINS CONFIDENTIAL AND PROPRIETARY INFORMATION AND ALL DESIGN, MANUFACTURING, REPRODUCTION, USE, PATENT RIGHTS AND SALES RIGHTS ARE EXPRESSLY RESERVED BY SAMTEC, INC. THIS DOCUMENT SHALL NOT BE DISCLOSED, IN WHOLE OR PART, TO ANY UNAUTHORIZED PERSON OR ENTITY NOR REPRODUCED, TRANSFERRED OR INCORPORATED IN ANY OTHER PROJECT IN ANY MANNER WITHOUT THE EXPRESS WRITTEN CONSENT OF SAMTEC, INC.

DO NOT SCALE DRAWING

SHEET SCALE: 1:1



520 PARK EAST BLVD, NEW ALBANY, IN 47150
PHONE: 812-944-6733 FAX: 812-948-5047
e-Mail info@SAMTEC.com code 55322

DESCRIPTION:
CABLE ASSEMBLY, SEAC SYSTEM

DWG. NO.
SEAC-XXX-XX-XX.X-TU-TU-X

BY: C. PIERCE 08/27/2010 SHEET 2 OF 5

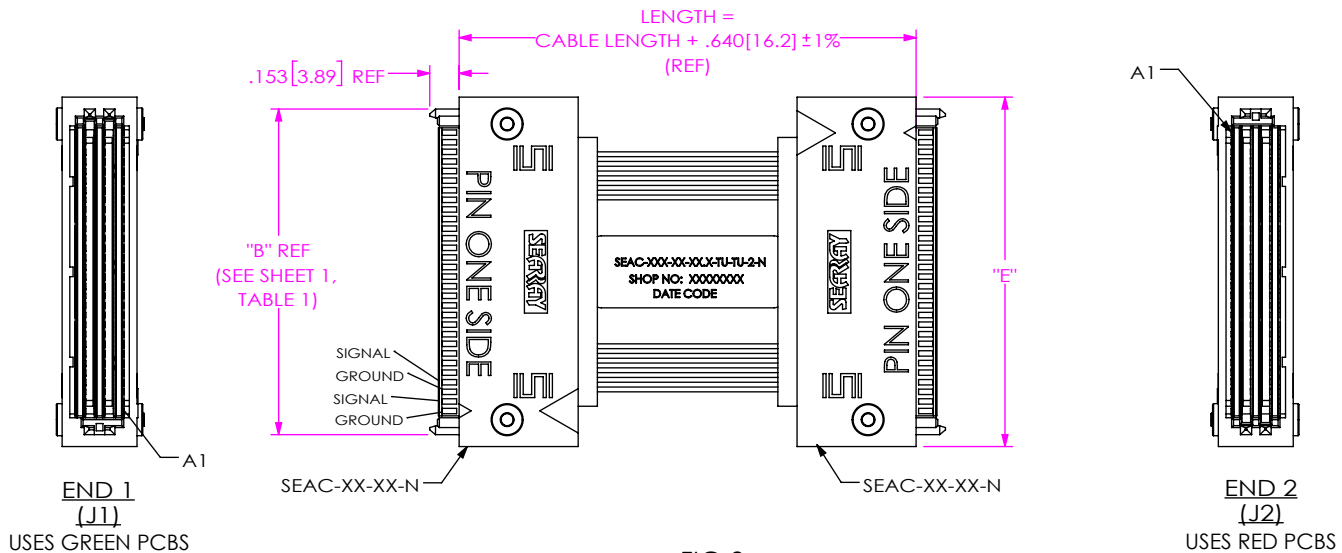


FIG 2
(SEAC-030-06-XX.X-TU-TU-N)
(NO SIDE LATCH VERSION)
(SAME AS FIG 1, EXCEPT AS SHOWN)

No. OF POS	"E"
-20	1.320 [33.53]
-30	1.820 [46.23]
-40	2.320 [58.93]
-50	2.820 [71.63]

End 1	A1	B1	C1	D1
	GND	GND	GND	GND
End 2	A50	B50	C50	D50
End 1	A2	B2	C2	D2
	SIG	SIG	SIG	SIG
End 2	A49	B49	C49	D49
End 1	A3	B3	C3	D3
	GND	GND	GND	GND
End 2	A48	B48	C48	D48
End 1
	SIG	SIG	SIG	SIG
End 2
End 1
	GND	GND	GND	GND
End 2
End 1	A48	B48	C48	D48
	SIG	SIG	SIG	SIG
End 2	A3	B3	C3	D3
End 1	A49	B49	C49	D49
	GND	GND	GND	GND
End 2	A2	B2	C2	D2
End 1	A50	B50	C50	D50
	SIG	SIG	SIG	SIG
End 2	A1	B1	C1	D1

PROPRIETARY NOTE
THIS DOCUMENT CONTAINS CONFIDENTIAL AND PROPRIETARY INFORMATION AND ALL DESIGN, MANUFACTURING, REPRODUCTION, USE, PATENT RIGHTS AND SALES RIGHTS ARE EXPRESSLY RESERVED BY SAMTEC, INC. THIS DOCUMENT SHALL NOT BE DISCLOSED, IN WHOLE OR PART, TO ANY UNAUTHORIZED PERSON OR ENTITY NOR REPRODUCED, TRANSFERRED OR INCORPORATED IN ANY OTHER PROJECT IN ANY MANNER WITHOUT THE EXPRESS WRITTEN CONSENT OF SAMTEC, INC.

DO NOT SCALE DRAWING
SHEET SCALE: 1:1



520 PARK EAST BLVD, NEW ALBANY, IN 47150
PHONE: 812-944-6733 FAX: 812-948-5047
e-Mail info@SAMTEC.com code 55322

DESCRIPTION:
CABLE ASSEMBLY, SEAC SYSTEM

DWG. NO.
SEAC-XXX-XX-XX.X-TU-TU-X

BY: C. PIERCE 08/27/2010 SHEET 3 OF 5

SEAC-020-04-XX.X-TU-TU SIGNAL MAPPING				
End 1	A1	B1	C1	D1
	GND	GND	GND	GND
End 2	A20	B20	C20	D20
End 1	A2	B2	C2	D2
	SIG	SIG	SIG	SIG
End 2	A19	B19	C19	D19
End 1	A3	B3	C3	D3
	GND	GND	GND	GND
End 2	A18	B18	C18	D18
End 1
	SIG	SIG	SIG	SIG
End 2
End 1
	GND	GND	GND	GND
End 2
End 1	A18	B18	C18	D18
	SIG	SIG	SIG	SIG
End 2	A3	B3	C3	D3
End 1	A19	B19	C19	D19
	GND	GND	GND	GND
End 2	A2	B2	C2	D2
End 1	A20	B20	C20	D20
	SIG	SIG	SIG	SIG
End 2	A1	B1	C1	D1

SEAC-020-06-XX.X-TU-TU SIGNAL MAPPING						
End 1	A1	B1	C1	D1	E1	F1
	GND	GND	GND	GND	GND	GND
End 2	A20	B20	C20	D20	E20	F20
End 1	A2	B2	C2	D2	E2	F2
	SIG	SIG	SIG	SIG	SIG	SIG
End 2	A19	B19	C19	D19	E19	F19
End 1	A3	B3	C3	D3	E3	F3
	GND	GND	GND	GND	GND	GND
End 2	A18	B18	C18	D18	E18	F18
End 1
	SIG	SIG	SIG	SIG	SIG	SIG
End 2
End 1
	GND	GND	GND	GND	GND	GND
End 2
End 1	A18	B18	C18	D18	E18	F18
	SIG	SIG	SIG	SIG	SIG	SIG
End 2	A3	B3	C3	D3	E3	F3
End 1	A19	B19	C19	D19	E19	F19
	GND	GND	GND	GND	GND	GND
End 2	A2	B2	C2	D2	E2	F2
End 1	A20	B20	C20	D20	E20	F20
	SIG	SIG	SIG	SIG	SIG	SIG
End 2	A1	B1	C1	D1	E1	F1

SEAC-020-08-XX.X-TU-TU SIGNAL MAPPING									
End 1	A1	B1	C1	D1	E1	F1	G1	H1	
	GND	GND	GND	GND	GND	GND	GND	GND	GND
End 2	A20	B20	C20	D20	E20	F20	G20	H20	
End 1	A2	B2	C2	D2	E2	F2	G2	H2	
	SIG	SIG	SIG	SIG	SIG	SIG	SIG	SIG	SIG
End 2	A19	B19	C19	D19	E19	F19	G19	H19	
End 1	A3	B3	C3	D3	E3	F3	G3	H3	
	GND	GND	GND	GND	GND	GND	GND	GND	GND
End 2	A18	B18	C18	D18	E18	F18	G18	H18	
End 1
	SIG	SIG	SIG	SIG	SIG	SIG	SIG	SIG	SIG
End 2
End 1
	GND	GND	GND	GND	GND	GND	GND	GND	GND
End 2
End 1	A18	B18	C18	D18	E18	F18	G18	H18	
	SIG	SIG	SIG	SIG	SIG	SIG	SIG	SIG	SIG
End 2	A3	B3	C3	D3	E3	F3	G3	H3	
End 1	A19	B19	C19	D19	E19	F19	G19	H19	
	GND	GND	GND	GND	GND	GND	GND	GND	GND
End 2	A2	B2	C2	D2	E2	F2	G2	H2	
End 1	A20	B20	C20	D20	E20	F20	G20	H20	
	SIG	SIG	SIG	SIG	SIG	SIG	SIG	SIG	SIG
End 2	A1	B1	C1	D1	E1	F1	G1	H1	

SEAC-020-10-XX.X-TU-TU SIGNAL MAPPING										
End 1	A1	B1	C1	D1	E1	F1	G1	H1	J1	K1
	GND	GND	GND	GND	GND	GND	GND	GND	GND	GND
End 2	A20	B20	C20	D20	E20	F20	G20	H20	J20	K20
End 1	A2	B2	C2	D2	E2	F2	G2	H2	J2	K2
	SIG	SIG	SIG	SIG	SIG	SIG	SIG	SIG	SIG	SIG
End 2	A19	B19	C19	D19	E19	F19	G19	H19	J19	K19
End 1	A3	B3	C3	D3	E3	F3	G3	H3	J3	K3
	GND	GND	GND	GND	GND	GND	GND	GND	GND	GND
End 2	A18	B18	C18	D18	E18	F18	G18	H18	J18	K18
End 1
	SIG	SIG	SIG	SIG	SIG	SIG	SIG	SIG	SIG	SIG
End 2
End 1
	GND	GND	GND	GND	GND	GND	GND	GND	GND	GND
End 2
End 1	A18	B18	C18	D18	E18	F18	G18	H18	J18	K18
	SIG	SIG	SIG	SIG	SIG	SIG	SIG	SIG	SIG	SIG
End 2	A3	B3	C3	D3	E3	F3	G3	H3	J3	K3
End 1	A19	B19	C19	D19	E19	F19	G19	H19	J19	K19
	GND	GND	GND	GND	GND	GND	GND	GND	GND	GND
End 2	A2	B2	C2	D2	E2	F2	G2	H2	J2	K2
End 1	A20	B20	C20	D20	E20	F20	G20	H20	J20	K20
	SIG	SIG	SIG	SIG	SIG	SIG	SIG	SIG	SIG	SIG
End 2	A1	B1	C1	D1	E1	F1	G1	H1	J1	K1

PROPRIETARY NOTE
 THIS DOCUMENT CONTAINS CONFIDENTIAL AND PROPRIETARY INFORMATION AND ALL DESIGN, MANUFACTURING, REPRODUCTION, USE, PATENT RIGHTS AND SALES RIGHTS ARE EXPRESSLY RESERVED BY SAMTEC, INC. THIS DOCUMENT SHALL NOT BE DISCLOSED, IN WHOLE OR PART, TO ANY UNAUTHORIZED PERSON OR ENTITY NOR REPRODUCED, TRANSFERRED OR INCORPORATED IN ANY OTHER PROJECT IN ANY MANNER WITHOUT THE EXPRESS WRITTEN CONSENT OF SAMTEC, INC.

DO NOT SCALE DRAWING

SHEET SCALE: 1:1



520 PARK EAST BLVD, NEW ALBANY, IN 47150
 PHONE: 812-944-6733 FAX: 812-948-5047
 e-Mail: info@SAMTEC.com code 55322

DESCRIPTION: CABLE ASSEMBLY, SEAC SYSTEM

DWG. NO. SEAC-XXX-XX-XX.X-TU-TU-X

BY: C. PIERCE 08/27/2010 SHEET 4 OF 5

SEAC-030-04-XX X-TU-TU SIGNAL MAPPING				
End 1	A1	B1	C1	D1
	GND	GND	GND	GND
End 2	A30	B30	C30	D30
End 1	A2	B2	C2	D2
	SIG	SIG	SIG	SIG
End 2	A29	B29	C29	D29
End 1	A3	B3	C3	D3
	GND	GND	GND	GND
End 2	A28	B28	C28	D28
End 1
	SIG	SIG	SIG	SIG
End 2
End 1
	GND	GND	GND	GND
End 2
End 1	A28	B28	C28	D28
	SIG	SIG	SIG	SIG
End 2	A3	B3	C3	D3
End 1	A29	B29	C29	D29
	GND	GND	GND	GND
End 2	A2	B2	C2	D2
End 1	A30	B30	C30	D30
	SIG	SIG	SIG	SIG
End 2	A1	B1	C1	D1

SEAC-030-06-XX X-TU-TU SIGNAL MAPPING						
End 1	A1	B1	C1	D1	E1	F1
	GND	GND	GND	GND	GND	GND
End 2	A30	B30	C30	D30	E30	F30
End 1	A2	B2	C2	D2	E2	F2
	SIG	SIG	SIG	SIG	SIG	SIG
End 2	A29	B29	C29	D29	E29	F29
End 1	A3	B3	C3	D3	E3	F3
	GND	GND	GND	GND	GND	GND
End 2	A28	B28	C28	D28	E28	F28
End 1
	SIG	SIG	SIG	SIG	SIG	SIG
End 2
End 1
	GND	GND	GND	GND	GND	GND
End 2
End 1	A28	B28	C28	D28	E28	F28
	SIG	SIG	SIG	SIG	SIG	SIG
End 2	A3	B3	C3	D3	E3	F3
End 1	A29	B29	C29	D29	E29	F29
	GND	GND	GND	GND	GND	GND
End 2	A2	B2	C2	D2	E2	F2
End 1	A30	B30	C30	D30	E30	F30
	SIG	SIG	SIG	SIG	SIG	SIG
End 2	A1	B1	C1	D1	E1	F1

SEAC-030-08-XX X-TU-TU SIGNAL MAPPING								
End 1	A1	B1	C1	D1	E1	F1	G1	H1
	GND	GND	GND	GND	GND	GND	GND	GND
End 2	A30	B30	C30	D30	E30	F30	G30	H30
End 1	A2	B2	C2	D2	E2	F2	G2	H2
	SIG	SIG	SIG	SIG	SIG	SIG	SIG	SIG
End 2	A29	B29	C29	D29	E29	F29	G29	H29
End 1	A3	B3	C3	D3	E3	F3	G3	H3
	GND	GND	GND	GND	GND	GND	GND	GND
End 2	A28	B28	C28	D28	E28	F28	G28	H28
End 1
	SIG	SIG	SIG	SIG	SIG	SIG	SIG	SIG
End 2
End 1
	GND	GND	GND	GND	GND	GND	GND	GND
End 2
End 1	A28	B28	C28	D28	E28	F28	G28	H28
	SIG	SIG	SIG	SIG	SIG	SIG	SIG	SIG
End 2	A3	B3	C3	D3	E3	F3	G3	H3
End 1	A29	B29	C29	D29	E29	F29	G29	H29
	GND	GND	GND	GND	GND	GND	GND	GND
End 2	A2	B2	C2	D2	E2	F2	G2	H2
End 1	A30	B30	C30	D30	E30	F30	G30	H30
	SIG	SIG	SIG	SIG	SIG	SIG	SIG	SIG
End 2	A1	B1	C1	D1	E1	F1	G1	H1

SEAC-040-04-XX X-TU-TU SIGNAL MAPPING				
End 1	A1	B1	C1	D1
	GND	GND	GND	GND
End 2	A40	B40	C40	D40
End 1	A2	B2	C2	D2
	SIG	SIG	SIG	SIG
End 2	A39	B39	C39	D39
End 1	A3	B3	C3	D3
	GND	GND	GND	GND
End 2	A38	B38	C38	D38
End 1
	SIG	SIG	SIG	SIG
End 2
End 1
	GND	GND	GND	GND
End 2
End 1	A38	B38	C38	D38
	SIG	SIG	SIG	SIG
End 2	A3	B3	C3	D3
End 1	A39	B39	C39	D39
	GND	GND	GND	GND
End 2	A2	B2	C2	D2
End 1	A40	B40	C40	D40
	SIG	SIG	SIG	SIG
End 2	A1	B1	C1	D1

SEAC-040-06-XX X-TU-TU SIGNAL MAPPING						
End 1	A1	B1	C1	D1	E1	F1
	GND	GND	GND	GND	GND	GND
End 2	A40	B40	C40	D40	E40	F40
End 1	A2	B2	C2	D2	E2	F2
	SIG	SIG	SIG	SIG	SIG	SIG
End 2	A39	B39	C39	D39	E39	F39
End 1	A3	B3	C3	D3	E3	F3
	GND	GND	GND	GND	GND	GND
End 2	A38	B38	C38	D38	E38	F38
End 1
	SIG	SIG	SIG	SIG	SIG	SIG
End 2
End 1
	GND	GND	GND	GND	GND	GND
End 2
End 1	A38	B38	C38	D38	E38	F38
	SIG	SIG	SIG	SIG	SIG	SIG
End 2	A3	B3	C3	D3	E3	F3
End 1	A39	B39	C39	D39	E39	F39
	GND	GND	GND	GND	GND	GND
End 2	A2	B2	C2	D2	E2	F2
End 1	A40	B40	C40	D40	E40	F40
	SIG	SIG	SIG	SIG	SIG	SIG
End 2	A1	B1	C1	D1	E1	F1

PROPRIETARY NOTE
 THIS DOCUMENT CONTAINS CONFIDENTIAL AND PROPRIETARY INFORMATION AND ALL DESIGN, MANUFACTURING, REPRODUCTION, USE, PATENT RIGHTS AND SALES RIGHTS ARE EXPRESSLY RESERVED BY SAMTEC, INC. THIS DOCUMENT SHALL NOT BE DISCLOSED, IN WHOLE OR PART, TO ANY UNAUTHORIZED PERSON OR ENTITY NOR REPRODUCED, TRANSFERRED OR INCORPORATED IN ANY OTHER PROJECT IN ANY MANNER WITHOUT THE EXPRESS WRITTEN CONSENT OF SAMTEC, INC.

DO NOT SCALE DRAWING
 SHEET SCALE: 1:1



520 PARK EAST BLVD, NEW ALBANY, IN 47150
 PHONE: 812-944-6733 FAX: 812-948-5047
 e-Mail: info@SAMTEC.com code 53322

DESCRIPTION:
 CABLE ASSEMBLY, SEAC SYSTEM
 DWG. NO.
SEAC-XXX-XX-XX.X-TU-TU-X
 BY: C. PIERCE 08/27/2010 SHEET 5 OF 5