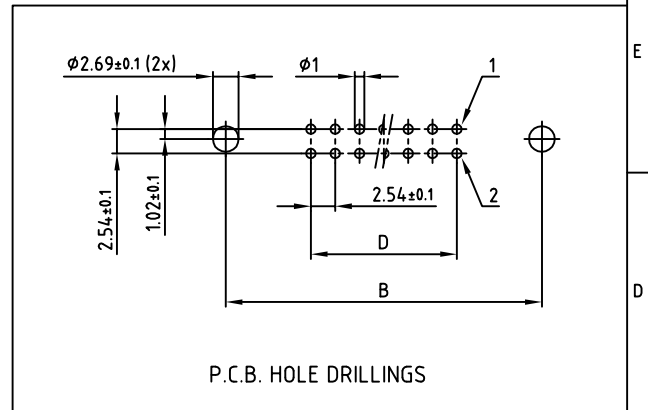
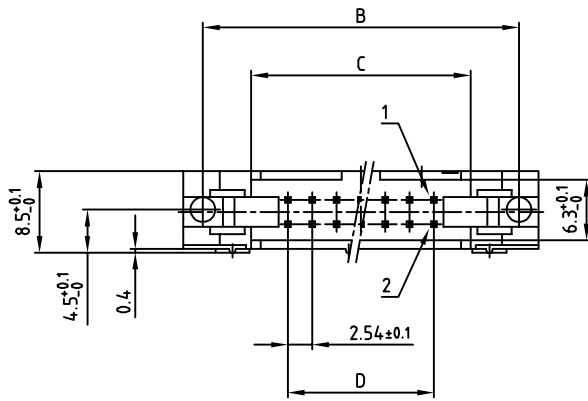
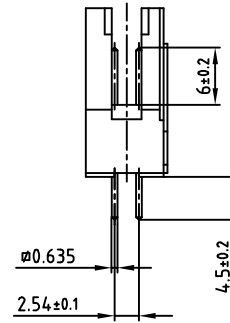
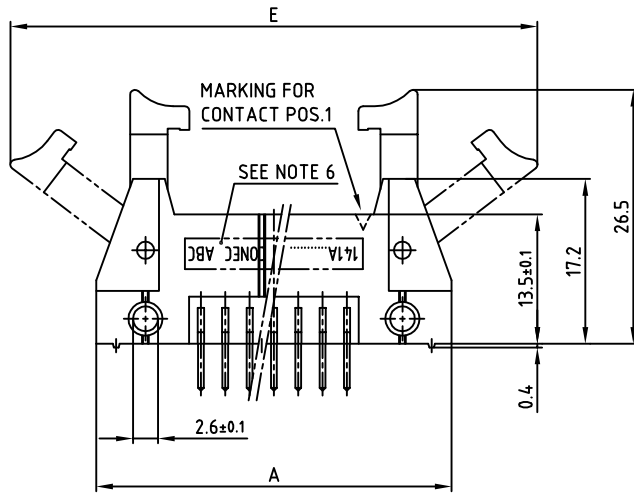


used for: DIN 41651



P.C.B. HOLE DRILLINGS

| No. of pos. | A ±0.2 | B ±0.1 | C ±0.2 | D ±0.1        | E      | Part-NO.   |
|-------------|--------|--------|--------|---------------|--------|------------|
| 10          | 32.00  | 27.94  | 17.82  | 4x2.54=10.16  | 50.00  | 141A10469X |
| 14          | 37.08  | 33.02  | 22.90  | 6x2.54=15.24  | 55.00  | 141A10479X |
| 16          | 39.62  | 35.56  | 25.44  | 7x2.54=17.78  | 57.60  |            |
| 20          | 44.70  | 40.64  | 30.52  | 9x2.54=22.86  | 62.50  | 141A10499X |
| 26          | 52.32  | 48.26  | 38.14  | 12x2.54=30.48 | 70.10  | 141A10509X |
| 34          | 62.48  | 58.42  | 48.30  | 16x2.54=40.64 | 80.30  | 141A10519X |
| 40          | 70.10  | 66.04  | 55.92  | 19x2.54=48.26 | 87.90  | 141A10529X |
| 50          | 82.80  | 78.74  | 68.62  | 24x2.54=60.96 | 100.70 | 141A10539X |
| 60          | 95.50  | 91.44  | 81.32  | 29x2.54=73.66 | 113.40 | 141A10549X |
| 64          | 100.58 | 96.52  | 86.40  | 31x2.54=78.74 | 118.52 | 141A12349X |

NOTES:

- INSULATORS: PBTP, V0 UL 94, GREY
- CONTACTS: COPPER ALLOY  
PLATING: GOLD FLASH OVER NICKEL  
50 MATING CYCLES
- OPERATING TEMPERATURE RANGE: -40°C TO +105°C
- CURRENT CARRYING CAPACITY: 1A
- TEST VOLTAGE: 1000 Veff.
- CONNECTOR IS PART MARKED: [PART-NO. CONEC ABC]

Directive 2002/95/EC RoHS compliant

THIS DRAWING MAY NOT BE COPIED OR REPRODUCED IN ANY WAY, AND MAY NOT BE PASSED ON TO A THIRD PARTY WITHOUT WRITTEN PERMISSION. OWNERSHIP AND COPYRIGHT OF CONEC GMBH DO NOT ALTER CAD DRAWING BY HAND

|            |             |                     |  |
|------------|-------------|---------------------|--|
| tolerance  |             | scale: 2:1          |  |
| dim. in mm |             | material: SEE NOTES |  |
| 2011       | date        | name                |  |
| drawn      | 02.03.      | Schmidt             |  |
| appd.      | 02.03.      | Fischer             |  |
| norm       |             | DIN 41651           |  |
| d-old      |             | title:              |  |
| a          |             | Origin              |  |
| rev.       | description | date                |  |
| name       |             | dwg no:             |  |
| CONEC®     |             | 14K2A015            |  |
| part no:   |             | SEE TABLE           |  |
|            |             | DIN-A               |  |
|            |             | 3                   |  |
|            |             | sh: 1/1             |  |