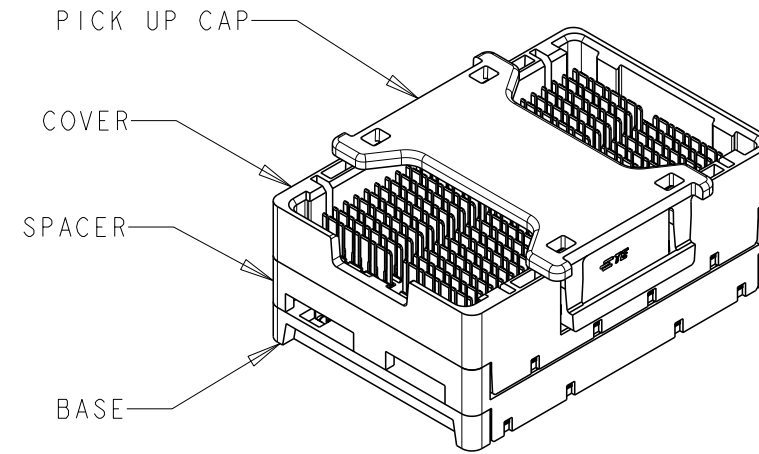
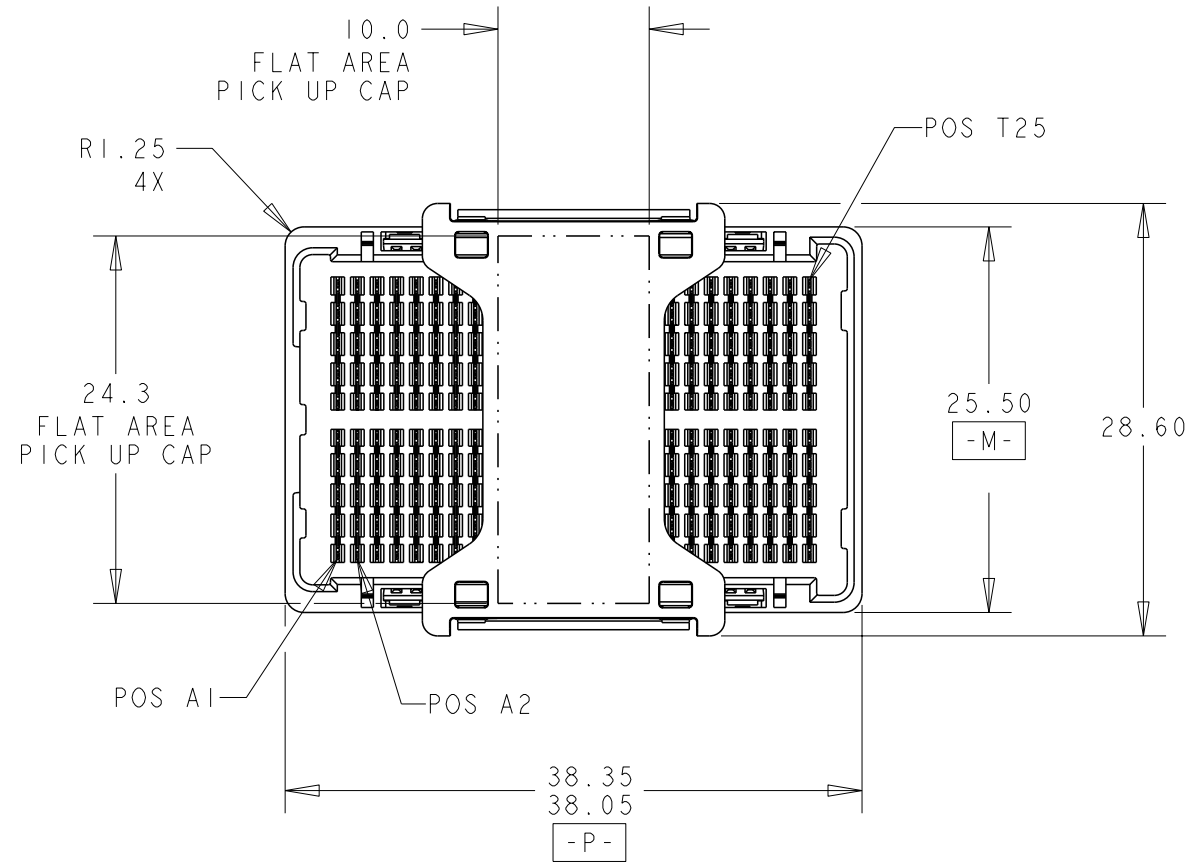
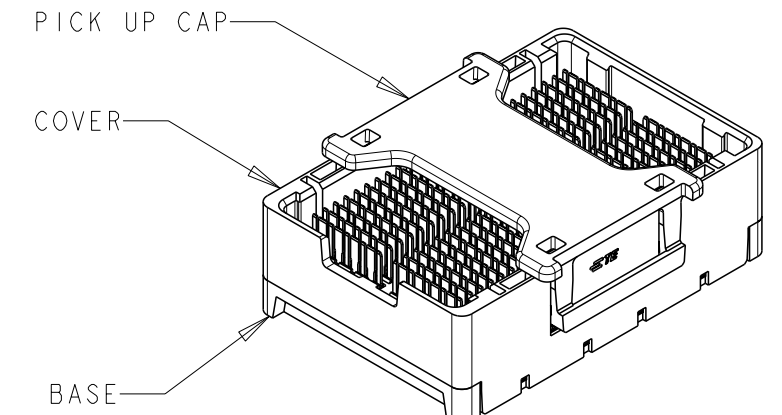
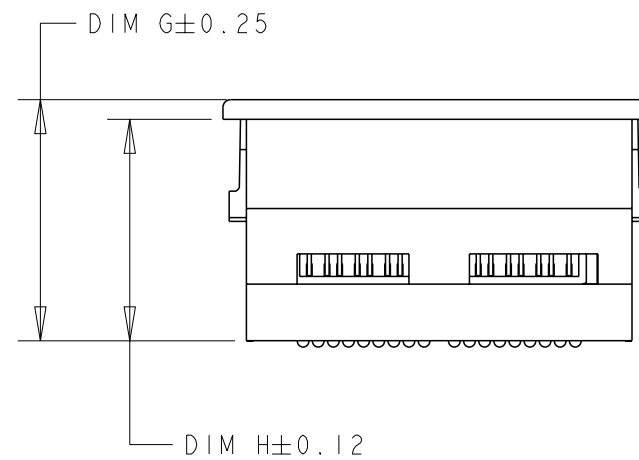
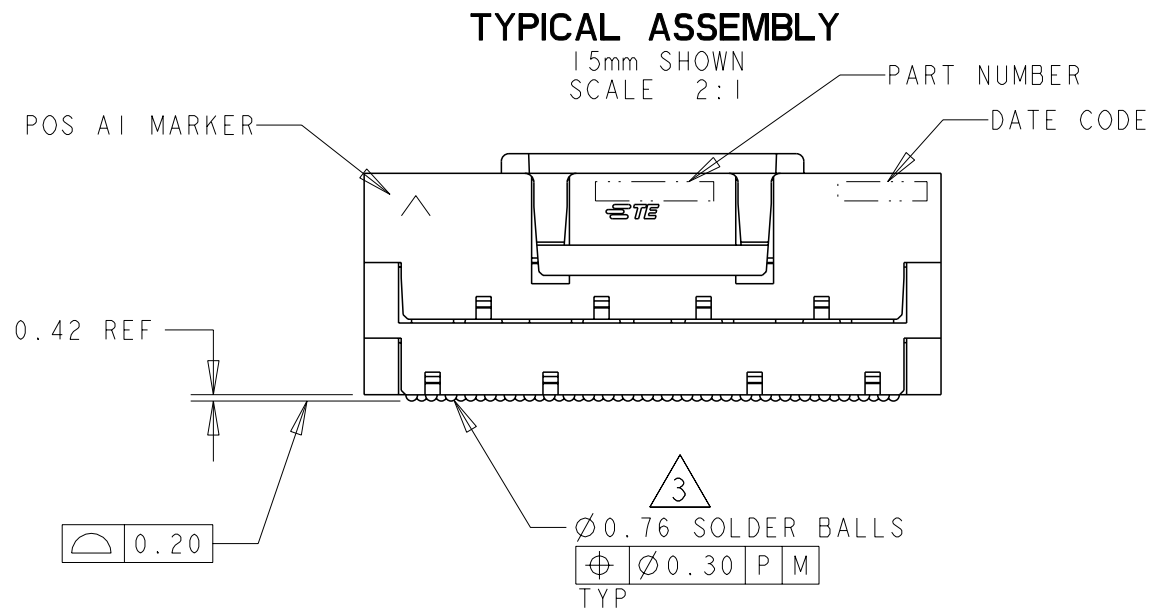


P	LTR	DESCRIPTION	DATE	DWN	APVD
	A2	REVISED PER ECO-20-017117	27APR2021	AP	RW



ISOMETRIC VIEW
TYPICAL CONFIGURATION FOR
15mm & 20mm ASSEMBLY
SCALE 3:2



ISOMETRIC VIEW
TYPICAL CONFIGURATION FOR
10mm, 12mm, & 13mm ASSEMBLY
SCALE 3:2

THIS DRAWING IS A CONTROLLED DOCUMENT.		DWN B. CARBO 12NOV2007	TE Connectivity		
DIMENSIONS: mm		CHK D. DIXON 12NOV2007			
TOLERANCES UNLESS OTHERWISE SPECIFIED:		APVD D. DIXON 12NOV2007	NAME STEP-Z, PLUG ASSEMBLY, 200 SIGNAL POSITION		
0 PLC ±- 1 PLC ±0.3 2 PLC ±0.10 3 PLC ±0.050 4 PLC ±- ANGLES ±2°		PRODUCT SPEC 108-2143	SIZE A3		
MATERIAL		APPLICATION SPEC 114-13101	CAGE CODE 00779	DRAWING NO C-2007614	RESTRICTED TO
FINISH		WEIGHT -	SCALE 2:1		
		CUSTOMER DRAWING		SHEET 1 OF 4	REV A2

printed on 27 Apr 2021 12:27 from FRO19828

REVISIONS					
P	LTR	DESCRIPTION	DATE	DWN	APVD
-		SEE SHEET 1	-	-	-

1 MATERIAL:
 BASE, SPACER, COVER: THERMOPLASTIC
 PICK UP CAP: THERMOPLASTIC
 CONTACT: COPPER ALLOY
 SOLDER BALL: Sn/Pb FOR P/N 1761614-1 THRU 5-1761614-0
 Sn/Ag FOR P/N 5-1761614-1 THRU 9-1761614-9

2 FINISH:
 CONTACT: 0.00076 MIN GOLD OVER 0.00127 MIN NICKEL.
 (30µ" MIN GOLD OVER 50µ" MIN NICKEL)

3 SOLDER BALLS WILL NOT BE PERFECT SPHERICAL SHAPE DUE TO REFLOW ATTACHMENT.

4 CONTACTS IN ROWS A,C,E,G,J,K,M,P,R, AND T ARE SINGLE BEAM CONTACTS, TYPICALLY USED AS GROUND PINS. (NOTE: CONTACTS IN ROW J & K ARE TIED TOGETHER [COMMONED]).

5 CONTACTS IN ROWS B,D,F,H,L,N,Q, AND S ARE DUAL BEAM CONTACTS, TYPICALLY USED AS SIGNAL PINS.

6 SPECIFIED POSITIONAL TOLERANCE DEFINES PAD TO PAD LOCATION WITHIN LAND PATTERN. POSITIONAL TOLERANCE OF LAND PATTERN TO FUDICIAL MARKS OR PCB DATUMS SHALL BE DEFINED BY CUSTOMER. FOR RECOMMENDED PRODUCT APPLICATION AND PCB DESIGN DETAILS, SEE APPLICATION SPEC 114-13101.

7 -

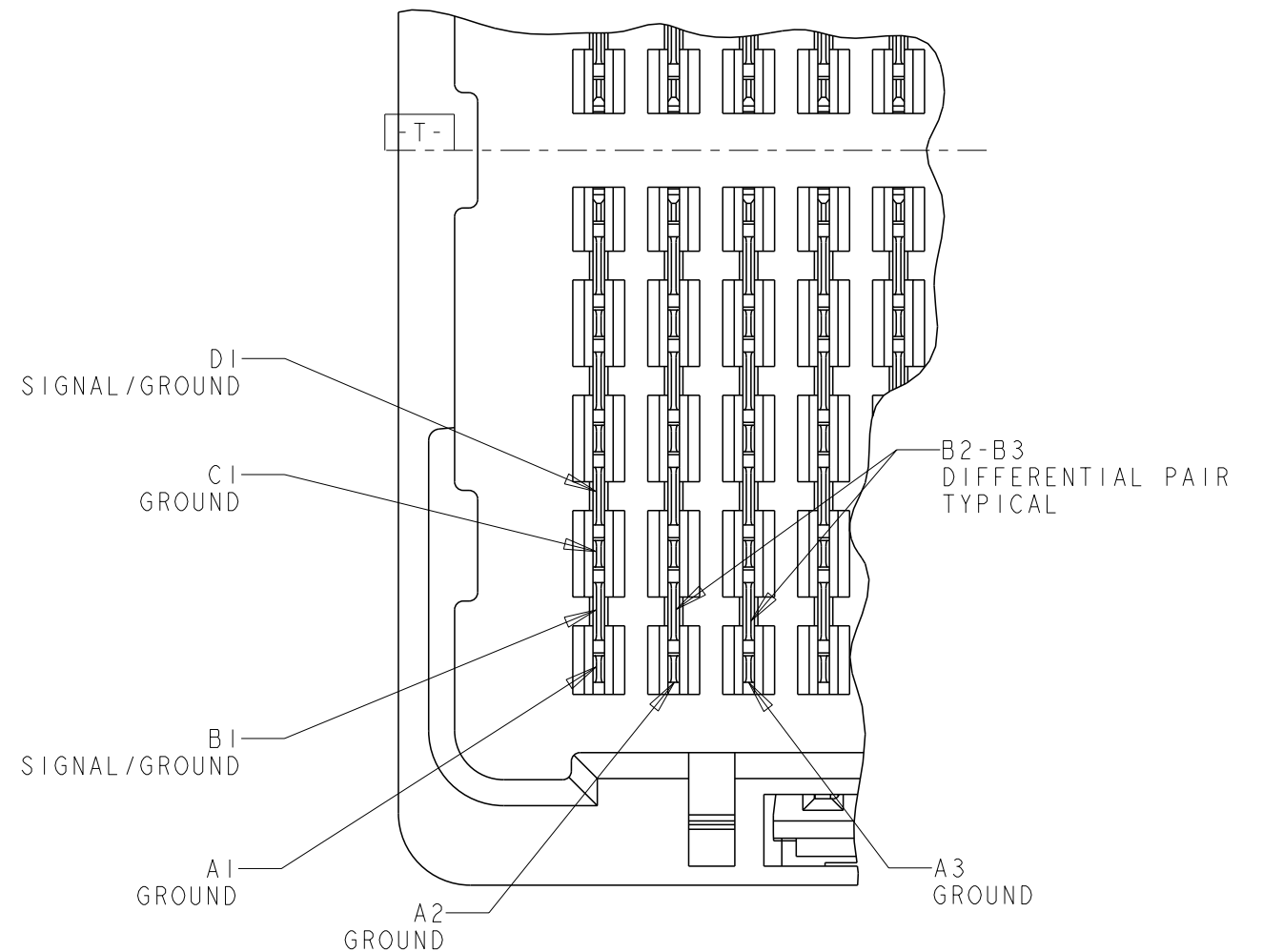
8 REFERENCE BOARD PATTERN FOR DIMENSIONS AND DETAILS NOT SHOWN.

9 HARD BLACK PLASTIC JEDEC STYLE TRAY.

10 PACKAGING:
 28 CONNECTORS PER TRAY.
 8 TRAYS PER SHIPPING BOX.
 SOLD ONLIN BOX QUANTITIES (224).
 AVAILABLE IN SINGLE SOFT CLEAR TRAY QUANTITY (25) AS X-1761614-X (SAME DASH NUMBERS).

11 ANTISTATIC MATERIAL.

12 CONNECTOR ORIENTATION:
 POSITION A1 IN UPPER RIGHT CORNER.



PLUG INTERFACE
 SCALE 8:1

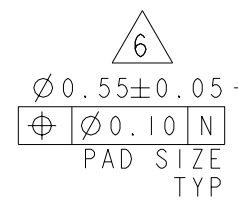
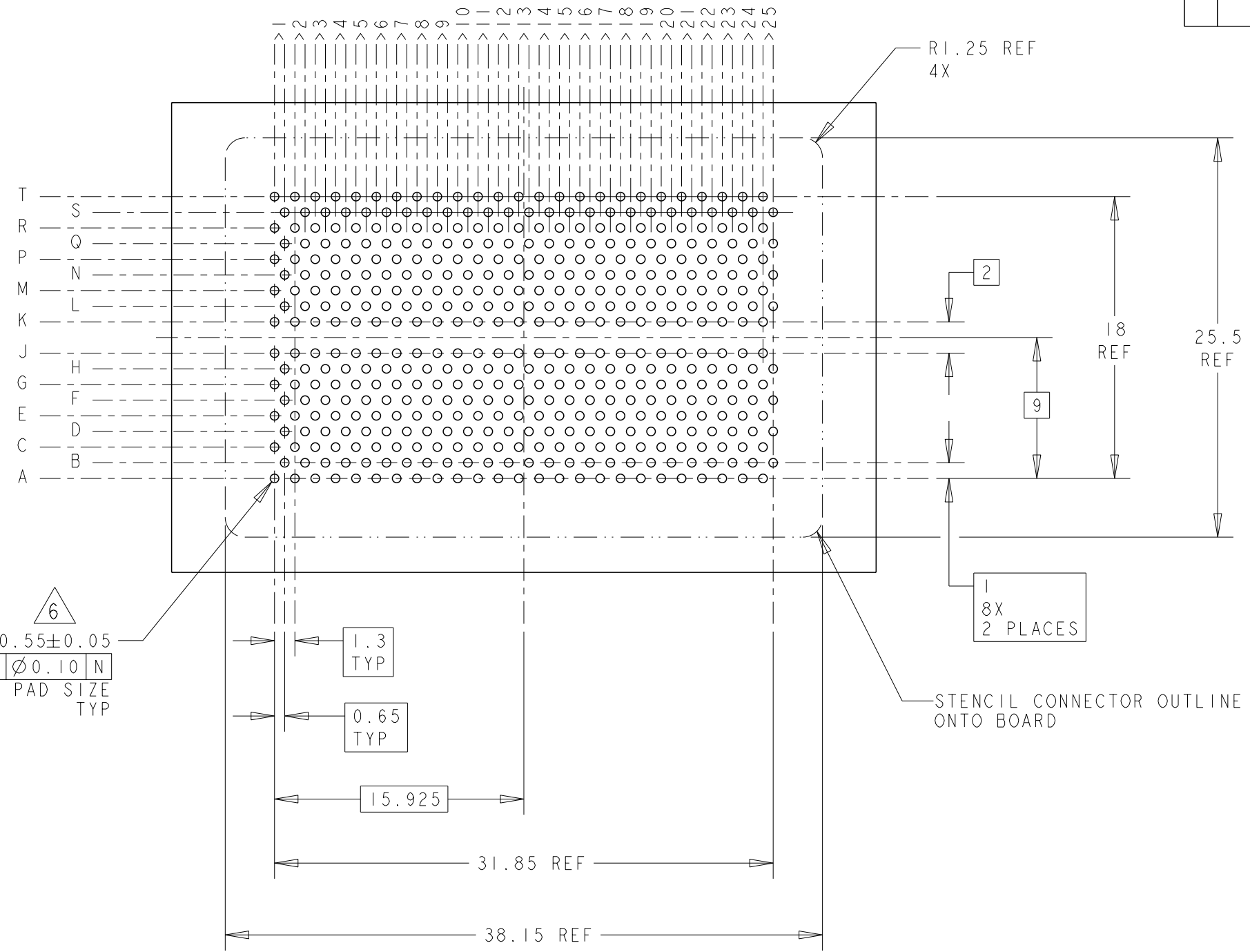
TRAY COLOR	DIM T	DIM H	DIM G	LOAD STYLE	DESCRIPTION	PART NUMBER
BLUE	16.3	14.65	15.95	FULL LOAD-200	15mm Sn/Ag	6-2007614-5
BLUE	26.3	24.65	25.95	FULL LOAD-200 POSN	25mm Sn/Ag	7-2007614-5
BLUE	11.3	9.65	10.95	FULL LOAD-200 POSN	10mm Sn/Ag	6-2007614-0
BLACK	16.3	14.65	15.95	FULL LOAD-200 POSN	15mm Sn/Pb	1-2007615-5
BLACK	26.3	24.65	25.95	FULL LOAD-200 POSN	25mm Sn/Pb	2-2007614-5
BLACK	11.3	9.65	10.95	FULL LOAD-200 POSN	10mm Sn/Pb	1-2007614-0

THIS DRAWING IS A CONTROLLED DOCUMENT.		DWN B. CARBO 12NOV2007		
		CHK D. DIXON 12NOV2007		
		APVD D. DIXON 12NOV2007		
		PRODUCT SPEC 108-2143		
DIMENSIONS: mm 		TOLERANCES UNLESS OTHERWISE SPECIFIED: 0 PLC ±- 1 PLC ±0.3 2 PLC ±0.10 3 PLC ±0.050 4 PLC ±- ANGLES ±2°		NAME STEP-Z, PLUG ASSEMBLY, 200 SIGNAL POSITION -
MATERIAL -		FINISH -		APPLICATION SPEC 114-13101
		WEIGHT -		SIZE A3
		CUSTOMER DRAWING		CAGE CODE 300779
				DRAWING NO C-2007614
				RESTRICTED TO
		SCALE 2:1		SHEET 2 OF 4
				REV A2

Printed on 27 Apr 2021 12:27 from FRO19828

REVISIONS

P	LTR	DESCRIPTION	DATE	DWN	APVD
-	-	SEE SHEET 1	-	-	-



4 5 BOARD PATTERN SCALE 3:1

THIS DRAWING IS A CONTROLLED DOCUMENT.

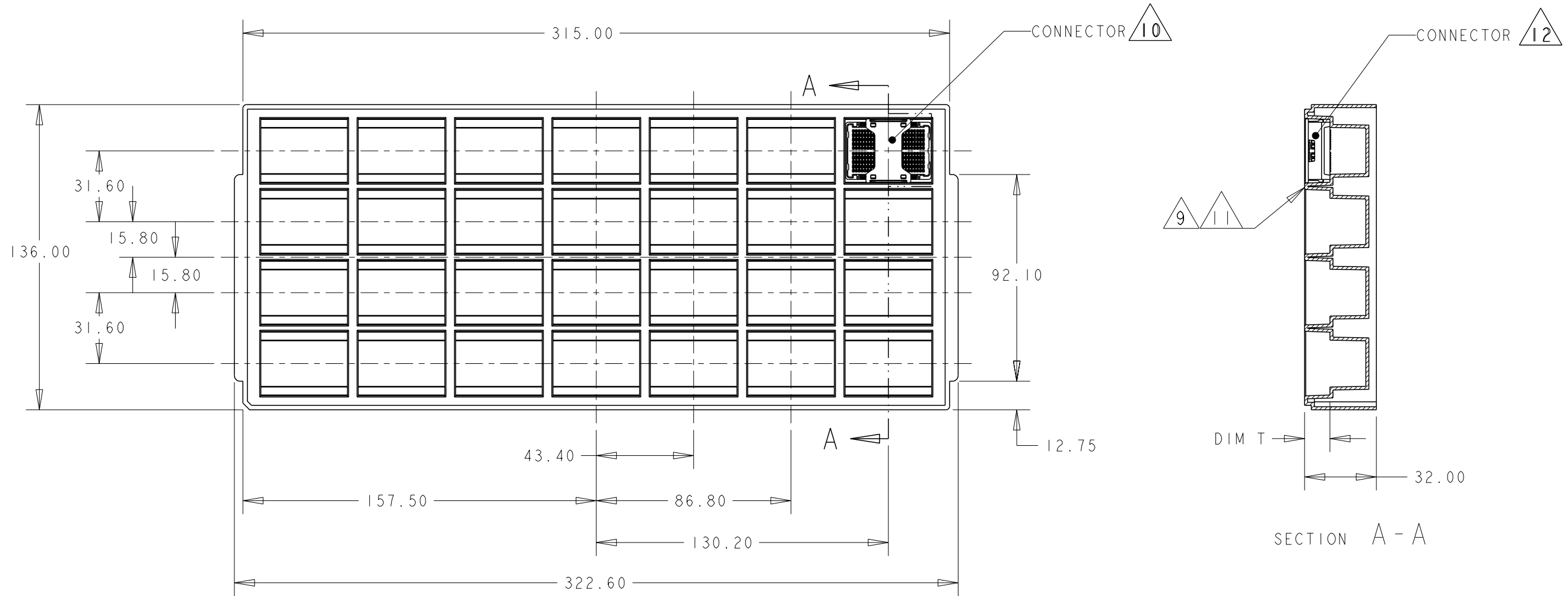
DIMENSIONS: mm	TOLERANCES UNLESS OTHERWISE SPECIFIED:
	0 PLC ±-
	1 PLC ±0.3
	2 PLC ±0.10
	3 PLC ±0.050
	4 PLC ±-
	ANGLES ±2°
MATERIAL	FINISH
-	-

DWN	B. CARBO	12NOV2007
CHK	D. DIXON	12NOV2007
APVD	D. DIXON	12NOV2007
PRODUCT SPEC	108-2143	
APPLICATION SPEC	114-13101	
WEIGHT	-	
CUSTOMER DRAWING		

		TE Connectivity	
		NAME	
STEP-Z, PLUG ASSEMBLY, 200 SIGNAL POSITION		RESTRICTED TO	
SIZE	CAGE CODE	DRAWING NO	
A3	00779	C-2007614	
SCALE		SHEET	REV
2:1		3 OF 4	A2

printed on 27 Apr 2021 12:27 from FRO19828

P	LTR	DESCRIPTION	DATE	DWN	APVD
-	-	SEE SHEET 1	-	-	-



SCALE 1:2

THIS DRAWING IS A CONTROLLED DOCUMENT.		DWN B. CARBO	12NOV2007		
DIMENSIONS: mm		CHK D. DIXON	12NOV2007		
TOLERANCES UNLESS OTHERWISE SPECIFIED:		APVD D. DIXON	12NOV2007	NAME STEP-Z, PLUG ASSEMBLY, 200 SIGNAL POSITION	
0 PLC ±- 1 PLC ±0.3 2 PLC ±0.10 3 PLC ±0.050 4 PLC ±- ANGLES ±2°		PRODUCT SPEC 108-2143		SIZE A3	
MATERIAL -		APPLICATION SPEC 114-13101		CAGE CODE 300779	DRAWING NO C-2007614
FINISH -		WEIGHT -		RESTRICTED TO	
CUSTOMER DRAWING				SCALE 2:1	SHEET 4 OF 4
				REV A2	

Printed on 27 Apr 2021 12:27 from FRO19828