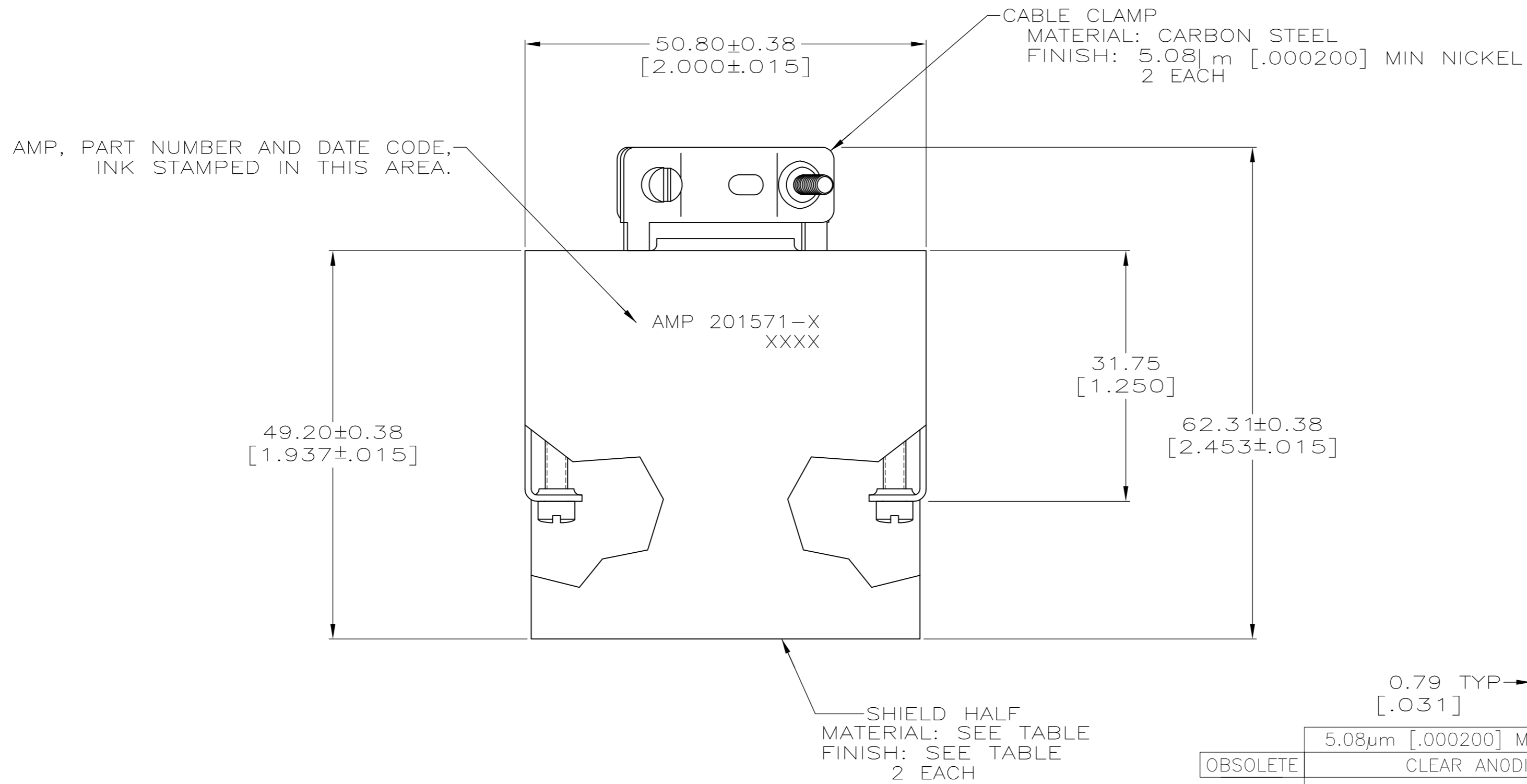
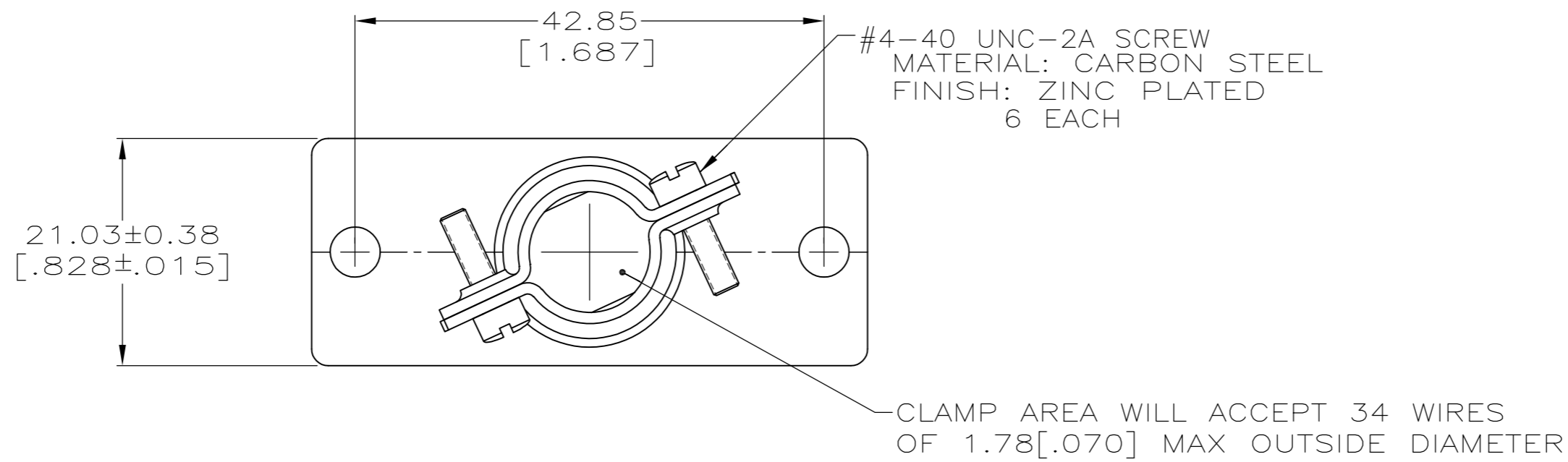


THIS DRAWING IS UNPUBLISHED. RELEASED FOR PUBLICATION
 © COPYRIGHT - By - ALL RIGHTS RESERVED.

LOC		DIST		REVISIONS			
P	LTR	DESCRIPTION		DATE	DWN	APVD	
BD	36	E1	REVISED PER ECO-13-008672		30AUG2013	KH	DR



FINISH	MATERIAL	PART NO
5.08µm [.000200] MIN NICKEL	CARBON STEEL	201571-2
CLEAR ANODIZED	ALUMINUM ALLOY	201571-1

SHIELD HALF

THIS DRAWING IS A CONTROLLED DOCUMENT.		DWN D.HARDY 10-21-94	TE TE Connectivity	
DIMENSIONS: mm [INCHES]		CHK R.STONE 10-27-94		
TOLERANCES UNLESS OTHERWISE SPECIFIED:		APVD T.COULSON 01-26-95	NAME SHIELD KIT, UNASSEMBLED, LONG, 34 POSITION, M SERIES	
0 PLC ± -	1 PLC ± -	PRODUCT SPEC	SIZE	CAGE CODE
2 PLC ± 0.13 [.005]	3 PLC ± -	APPLICATION SPEC	A2	00779
4 PLC ± -	ANGLES ± -	WEIGHT	C=201571	DRAWING NO
MATERIAL SEE CALLOUTS	FINISH SEE CALLOUTS	CUSTOMER DRAWING	SCALE	SHEET
			2:1	1 of 1
				REV E1