

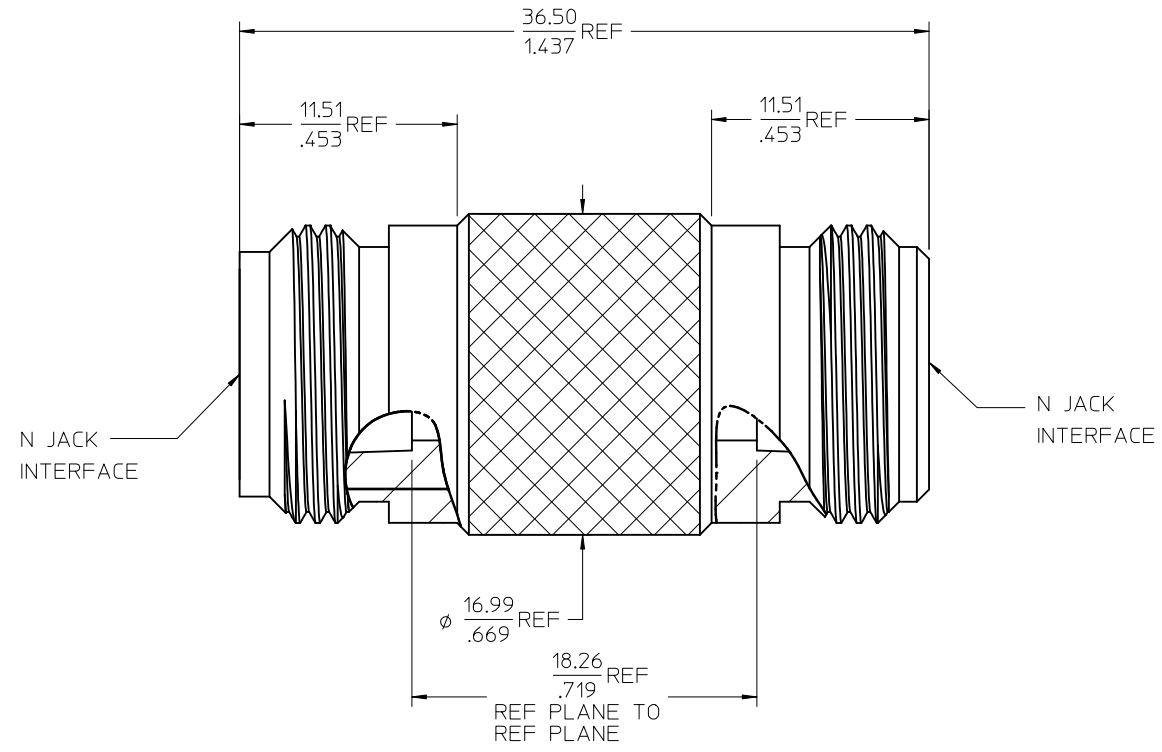
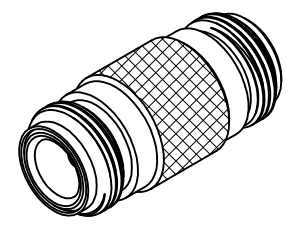
MATERIALS AND FINISHES

BODY BRASS
PLATED NICKEL

CENTER CONTACT BERYLLIUM COPPER
PLATED GOLD

INSULATOR TEFLON

OUTER CONTACT BRASS
PLATED NICKEL



73276-0023	ONE PIECE 73276-0022 PER BAG
73276-0022	BULK
PART NO.	PACKAGING

PS-89675-0940	ELECTRO/MECH PERFORM.
MIL-STD-348A, FIG. 304.2	INTERFACE
SPECIFICATION	DESCRIPTION

CHG: CLARIFIED BAGGING. EC NO: URF2010-0369 DRWN: ROBERTSON 2009/12/18 CHKD: SSS 2009/12/18 APPR: WIENER 2009/12/18	QUALITY SYMBOLS ▽=0 ▽=0	GENERAL TOLERANCES (UNLESS SPECIFIED)	DIMENSION STYLE MM/IN	SCALE	DESIGN UNITS METRIC	THIRD ANGLE PROJECTION	
		4 PLACES ± --- ± --- 3 PLACES ± --- ± --- 2 PLACES ± --- ± --- 1 PLACE ± --- ± ---	DRAWN BY JM	DATE 2006/05/31	TITLE N JACK TO N JACK ADAPTER, 50 OHMS EWR-3117, N-AD/JJ		
		ANGULAR ± 2 °	CHECKED BY JM	DATE 2006/05/31	APPROVED BY JDW	DATE 2006/05/31	MOLEX MOLEX INCORPORATED
		DRAFT WHERE APPLICABLE MUST REMAIN WITHIN DIMENSIONS	MATERIAL NO. SEE TABLE	DOCUMENT NO. SD-73276-002	SHEET NO. 1 OF 1		