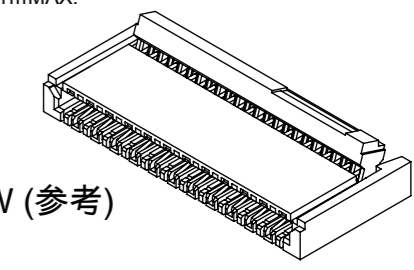


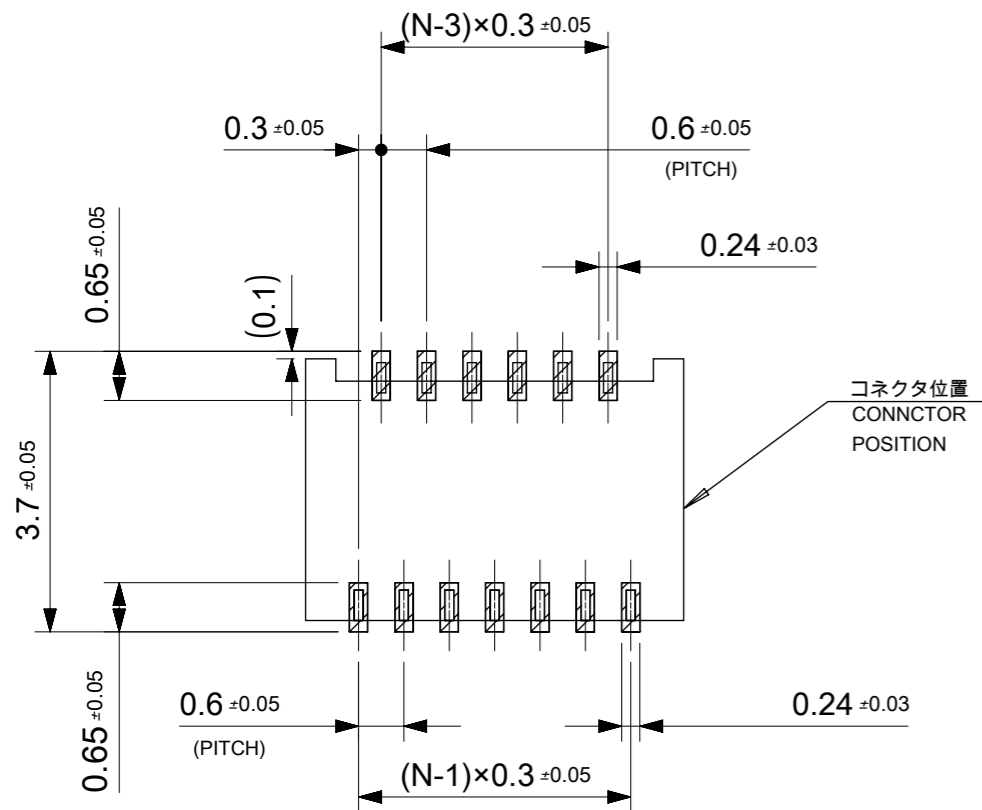
- 注記 NOTES**
1. 使用材料 MATERIALS
 ハウジング :液晶ポリマー(LCP)、ガラス充填、UL94 V-0、ナチュラル(白色系)
 アクチュエータ :ポリアミド(PA)、ガラス充填、UL94、HB、黒色
 奇数端子 :リン青銅 t=0.12mm
 偶数端子 :リン青銅 t=0.12mm
 HOUSING :LIQUID CRYSTAL POLYMER(LCP)、GLASS FILLED、UL94、V-0、NATURAL(WHITE)
 ACTUATOR :POLYIMIDE(PA)、GLASS FILLED、UL94、HB、BLACK
 ODD TERMINAL :PHOSPHOR BRONZE t=0.12mm
 EVEN TERMINAL :PHOSPHOR BRONZE t=0.12mm
 2. メッキ仕様 PLATING
 端子 TERMINAL
 テール部 :金メッキ
 接点部 :金メッキ 0.1μm以上
 下地 :ニッケルメッキ 1.0μm以上
 TAIL AREA: Gold PLATING
 CONTACT AREA: Gold PLATING 0.1μm MINIMUM
 UNDER PLATING: Nickel PLATING 1.0μm MINIMUM
 3. 端子の平坦度は0.1mm以下とする
 COPLANALITY OF SOLDER TAILS: 0.1mm MAX.
 4. ELV及びRoHS適合品
 ELV AND RoHS COMPLIANT



| | | | | | |
|------|------|------|------|------------------|----------|
| 18.6 | 17.4 | 18.0 | 19.4 | 504740-6100 | 61 |
| 15.6 | 14.4 | 15.0 | 16.4 | 504740-5100 | 51 |
| 13.8 | 12.6 | 13.2 | 14.6 | 504740-4500 | 45 |
| 12.6 | 11.4 | 12.0 | 13.4 | 504740-4100 | 41 |
| 12.0 | 10.8 | 11.4 | 12.8 | 504740-3900 | 39 |
| 11.4 | 10.2 | 10.8 | 12.2 | 504740-3700 | 37 |
| 10.2 | 9.0 | 9.6 | 11.0 | 504740-3300 | 33 |
| 7.8 | 6.6 | 7.2 | 8.6 | 504740-2500 | 25 |
| 7.2 | 6.0 | 6.6 | 8.0 | 504740-2300 | 23 |
| 6.0 | 4.8 | 5.4 | 6.8 | 504740-1900 | 19 |
| 3.6 | 2.4 | 3.0 | 4.4 | 504740-1100 | 11 |
| D | C | B | A | EMBOSSED TAPE | CIRCUITS |
| | | | | ORDER NO. オーダー番号 | |

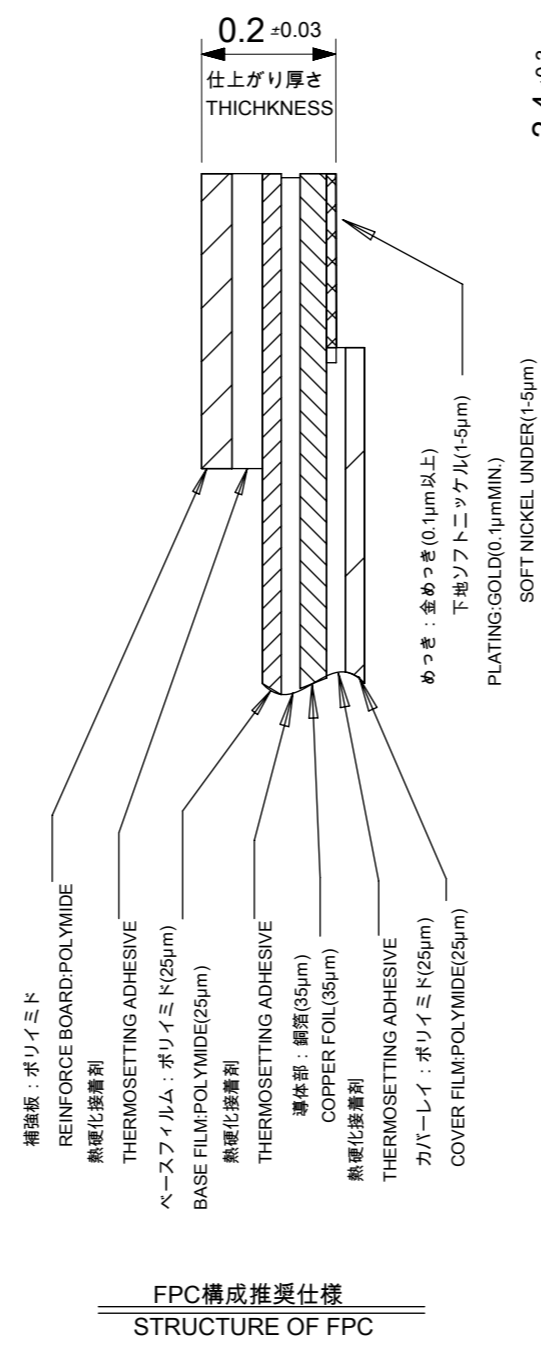
CONNECTOR SERIES NO. 504740-**09

| | | | | | |
|---|----------------------------|------------------------------|-----------------|--------------------------|--------------|
| THIS DRAWING CONTAINS INFORMATION THAT IS PROPRIETARY TO MOLEX ELECTRONIC TECHNOLOGIES, LLC AND SHOULD NOT BE USED WITHOUT WRITTEN PERMISSION | | CURRENT REV DESC: | | molex | |
| DIMENSION UNITS | SCALE | EC NO: 646888 | | | |
| mm | 10:1 | DRWN: TNAKAGAWA01 2020/10/08 | | PRODUCT CUSTOMER DRAWING | |
| GENERAL TOLERANCES (UNLESS SPECIFIED) | | CHK'D: YMATSUMOTO 2020/10/14 | | DOCUMENT NUMBER | |
| ANGULAR TOL ± 1.0° | | APPR: SHOSHIKAWA 2020/10/14 | | 5047401000 | |
| 4 PLACES ± 0.03 | INITIAL REVISION: | | DOC TYPE | | DOC PART |
| 3 PLACES ± 0.03 | DRWN: SHIRATA 2015/03/03 | | PSD | | 000 |
| 2 PLACES ± 0.05 | APPR: KMORIKAWA 2016/08/02 | | C | | REVISION |
| 1 PLACE ± 0.1 | THIRD ANGLE PROJECTION | | MATERIAL NUMBER | | SHEET NUMBER |
| 0 PLACES ± 0.2 | DRAWING | | CUSTOMER | | 1 OF 2 |
| DRAFT WHERE APPLICABLE MUST REMAIN WITHIN DIMENSIONS | | A3-SIZE | SERIES | GENERAL | |
| | | | 504740 | | |

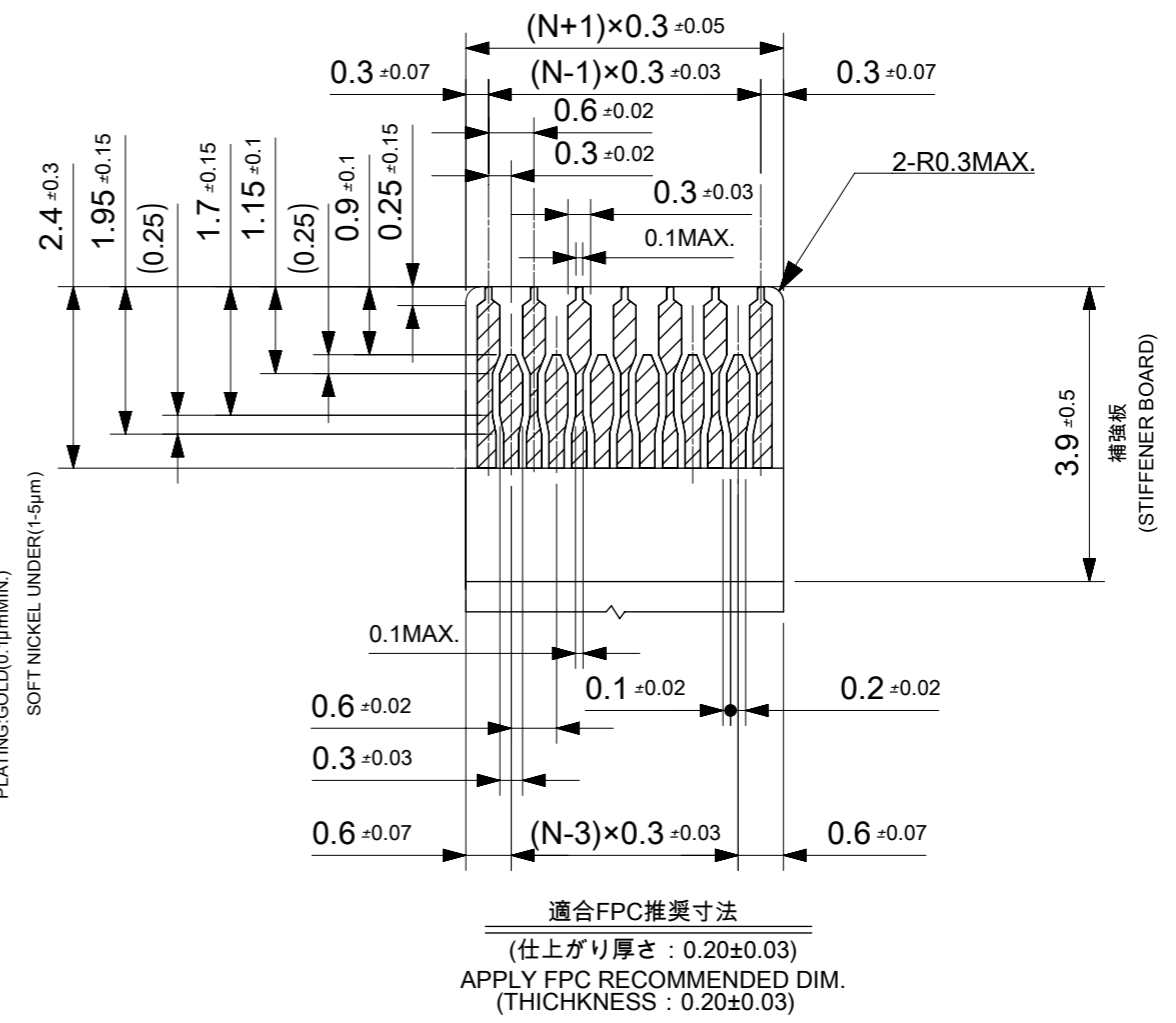


参照基板レイアウト(マウント面)
P.W. BOARD PATTERN
DIM.(REF)

推奨メタルマスク厚さ : 0.1mm
RECOMMENDED METAL MASK THICKNESS : 0.1mm
推奨開口率 : 80%
APERTURE RATE : 80%



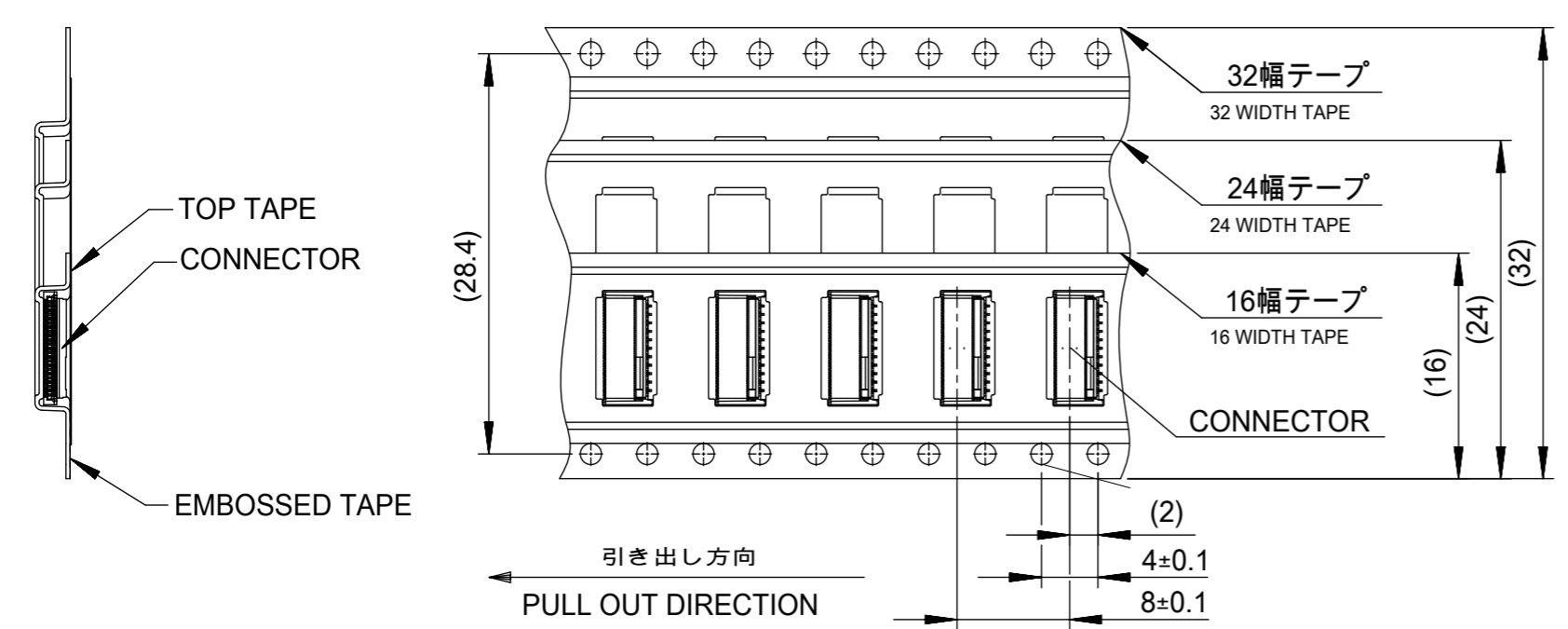
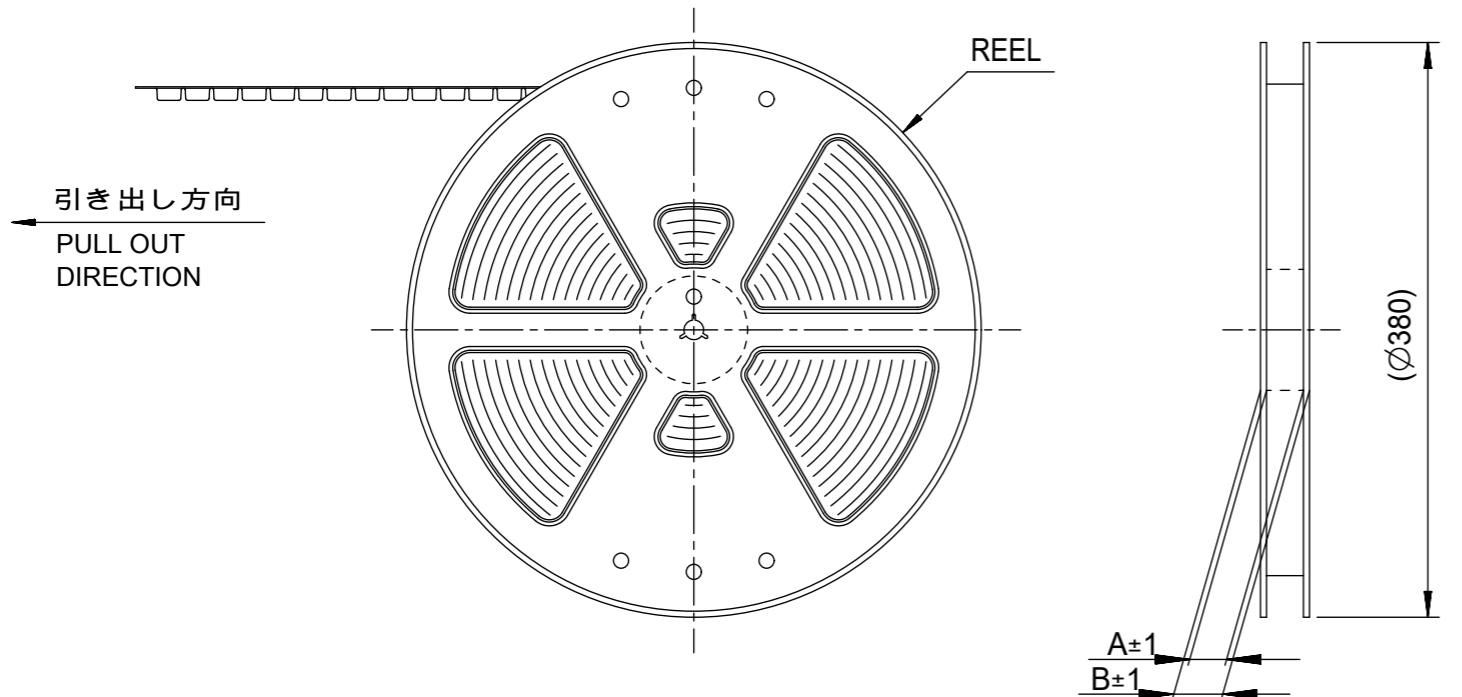
FPC構成推奨仕様
STRUCTURE OF FPC



FPCについて (ABOUT FPC)
抜き方向は、導体側から補強版側を推奨致します。
補強板材質はポリイミド、接着剤は熱硬化接着剤を推奨します。
尚、接着剤の接点部への付着は導通不良の原因になりますので、染み出しが無い様、お願い致します。
RECOMMENDED PUNCHER DIRECTION:
FROM CONDUCTOR SIDE TO STIFFENER BOARD SIDE.
RECOMMENDED MATERIAL:
STIFFENER BOARD: POLYIMIDE
BONDING AGENT: THERMOSETTING AGENT
PLEASE PUT APPROPRIATE AMOUNT OF ADHESIVE ON ADHEREND
BECAUSE THERE IS A POSSIBILITY THAT
THE EXTRA ADHESIVE CAUSES THE DEFECT IN ELECTRICAL CONTINUITY.

※1 補強板の長さが図面通りに確保できない場合は、カバーレイと補強板のオーバーラップ寸法を0.5mm以上としてください。
WHEN STIFFNER BOARD DIMENSION CAN NOT SECURE AS DRAWING, PLEASE GIVE THE OVERLAP SIZE OF COVER FILM AND STIFFNER BOARD AS 0.5mm MINIMUM.

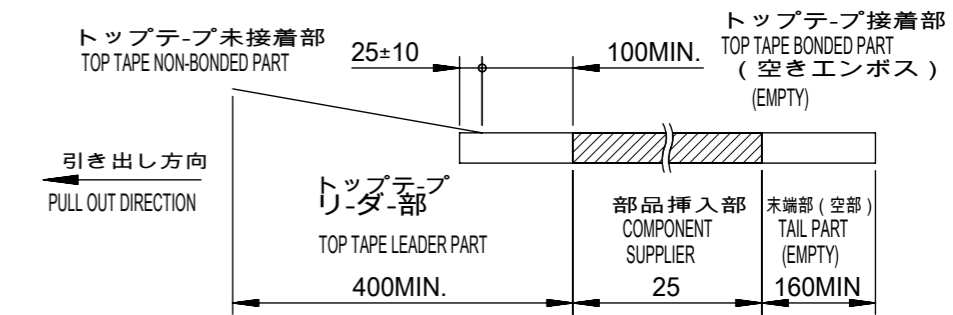
| | | | | | |
|---|---------|-------------------|------------|--------------------------------------|----------|
| THIS DRAWING CONTAINS INFORMATION THAT IS PROPRIETARY TO MOLEX ELECTRONIC TECHNOLOGIES, LLC AND SHOULD NOT BE USED WITHOUT WRITTEN PERMISSION | | CURRENT REV DESC: | | molex | |
| DIMENSION UNITS | SCALE | | | | |
| mm | 1:1 | | | 0.3 FPC CONN. BF H=0.95 HOUSING ASSY | |
| GENERAL TOLERANCES (UNLESS SPECIFIED) | | | | | |
| ANGULAR TOL | ± 1.0 ° | | | | |
| 4 PLACES | ± 0.03 | EC NO: 646888 | | | |
| 3 PLACES | ± 0.03 | DRWN: TNAKAGAWA01 | 2020/10/08 | | |
| 2 PLACES | ± 0.05 | CHK'D: YMATSUMOTO | 2020/10/14 | | |
| 1 PLACE | ± 0.1 | APPR: SHOSHIKAWA | 2020/10/14 | | |
| 0 PLACES | ± 0.2 | INITIAL REVISION: | | DOCUMENT NUMBER | |
| DRAFT WHERE APPLICABLE MUST REMAIN WITHIN DIMENSIONS | | DRWN: SHIRATA | 2015/03/03 | 5047401000 | |
| THIRD ANGLE PROJECTION | | APPR: KMORIKAWA | 2016/08/02 | DOC TYPE | DOC PART |
| DRAWING | | SERIES | | PSD | 000 |
| A3-SIZE | | 504740 | | REVISION | C |
| MATERIAL NUMBER | | CUSTOMER | | SHEET NUMBER | |
| | | GENERAL | | 2 OF 2 | |



エンボステープ内の製品の向き
DIRECTION OF CONNECTOR IN
EMBOSSSED TAPE

NOTES

- 製品詳細寸法については、図面 5047401000をご参照下さい。
REFER TO THE 5047401000 ABOUT DIMENSIONS IN DETAIL.
- 梱包数量 : 5000 個/リール
NUMBER OF CONNECTORS : 5000 PCS/REEL
- リードテープ長さ
LEAD TAPE LENGTH



- トップテープの剥離強度については、IEC60286-3 に準拠
TOP TAPE PEEL FORCE IS DEFINED BY IEC60286-3.
- 材料
キャリアテープ : ポリスチレン (PS)
トップテープ : PET, OTHER
リール : ポリスチレン (PS) <リサイクル材を含む>

MATERIAL
CARRIER TAPE : POLYSTYRENE(PS)
TOP TAPE : PET, OTHER
REEL ; POLYSTYRENE(PS)
<RECYCLE MATERIAL CONTAINED>

| | | | | |
|-----------------------|-------------|------|-------------------|---------|
| 32 | 37.4 | 33.4 | 504740-6100 | 61 |
| | | | 504740-5100 | 51 |
| 24 | 29.4 | 25.4 | 504740-4500 | 45 |
| | | | 504740-4100 | 41 |
| | | | 504740-3900 | 39 |
| | | | 504740-3700 | 37 |
| | | | 504740-3300 | 33 |
| | | | 504740-2500 | 25 |
| 16 | 21.4 | 17.4 | 504740-2300 | 23 |
| | | | 504740-1900 | 19 |
| | | | 504740-1100 | 11 |
| テープ幅 TAPE WIDTH | B | A | EMBOSSSED PACKAGE | CIRCUIT |
| CONNECTION SERIES NO. | 504740-**09 | | | |
| オーダー番号 ORDER NO. | | | | |

| | | | | | | | | | |
|---|--------|--|--------------|-----------------|-----------------|----------------|----------------|--------------|-----|
| THIS DRAWING CONTAINS INFORMATION THAT IS PROPRIETARY TO MOLEX ELECTRONIC TECHNOLOGIES, LLC AND SHOULD NOT BE USED WITHOUT WRITTEN PERMISSION | | | | | | | | | |
| DIMENSION UNITS | SCALE | CURRENT REV DESC: | | | | | | | |
| mm | 1:1 | <div style="text-align: center;">molex</div> <p>0.3 FPC CONN. BACK FLIP HGT=0.95MM EMBSTP PKG</p> <p>PRODUCT CUSTOMER DRAWING</p> | | | | | | | |
| GENERAL TOLERANCES (UNLESS SPECIFIED) | | | | | | | | | |
| ANGULAR TOL | ± 1.0° | | | | | | | | |
| 4 PLACES | ± 0.2 | | | | | | | | |
| 3 PLACES | ± 0.25 | | | | | | | | |
| 2 PLACES | ± 0.3 | | | | | | | | |
| 1 PLACE | ± 0.1 | EC NO: 692510 | DRWN: NARENC | 2022/01/17 | DOCUMENT NUMBER | | | | |
| 0 PLACES | ± | CHK'D: TKON | 2022/01/19 | DOC TYPE | | | | | |
| DRAFT WHERE APPLICABLE MUST REMAIN WITHIN DIMENSIONS | | APPR: SHOSHIKAWA | 2022/01/20 | DOC PART | | | | | |
| THIRD ANGLE PROJECTION | | INITIAL REVISION: | DRWN: TONO | | 2013/12/03 | SD-504740-002 | | PSD | 001 |
| DRAWING | | APPR: YNOGAWA | 2014/03/05 | | SERIES | | GENERAL MARKET | REVISION | |
| A3-SIZE | | 504740 | | MATERIAL NUMBER | | SEE TABLE | | SHEET NUMBER | |
| 1 OF 1 | | | | CUSTOMER | | GENERAL MARKET | | 1 OF 1 | |