

Features

- Drives 360mA at 16V_{P-P} on $\pm 12V$ supplies
- 40V_{P-P} differential output drive into 100 Ω
- -75dBc typical driver output distortion driving 50 Ω at 1MHz and $\frac{1}{2}$ -I_S bias current
- Low quiescent current of 3.5mA per amplifier in $\frac{1}{2}$ -I_S mode
- Power down disable mode

Applications

- ADSL G.DMT and G.lite CO line driving
- G.SHDSL, HDSL2 line driver
- ADSL CPE line driving
- Video distribution amplifier
- Video twisted-pair line driver

Ordering Information

Part No	Package	Tape & Reel	Outline #
EL1507CS	16-Pin SO		MDP0027
EL1507CL	16-Pin LPP		MDP0046

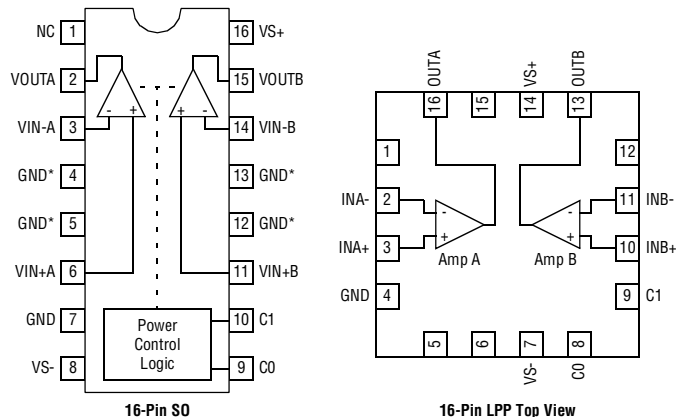
Get FULL DATA SHEET

General Description

The EL1507C is a very low power dual operational amplifier designed for central office and customer premise line driving for DMT ADSL solutions. This device features a high drive capability of 400mA while consuming only 7.5mA of supply current per amplifier from $\pm 12V$ supplies. This driver achieves a typical distortion of less than -75dBc, at 1MHz into a 50 Ω load. The EL1507C is available in the thermally-enhanced 16-pin SO package, as well as a 16-pin LPP package. Both are specified for operation over the full -40°C to +85°C temperature range.

The EL1507C has two control pins, C0 and C1. With the selection of C0 and C1, the device can be set into full-I_S power, $\frac{3}{4}$ -I_S power, $\frac{1}{2}$ -I_S power, and power down disable modes. The EL1507C maintains excellent distortion and load driving capabilities even in the lowest power settings.

Connection Diagram



* These GND pins are heat spreaders

EL1507C - Product Brief

Medium Power Differential Line Driver

General Disclaimer

Specifications contained in this data sheet are in effect as of the publication date shown. Elantec, Inc. reserves the right to make changes in the circuitry or specifications contained herein at any time without notice. Elantec, Inc. assumes no responsibility for the use of any circuits described herein and makes no representations that they are free from patent infringement.

***élan*tec**

HIGH PERFORMANCE ANALOG INTEGRATED CIRCUITS

Elantec Semiconductor, Inc.

675 Trade Zone Blvd.

Milpitas, CA 95035

Telephone: (408) 945-1323

(888) ELANTEC

Fax: (408) 945-9305

European Office: +44-118-977-6020

Japan Technical Center: +81-45-682-5820

WARNING - Life Support Policy

Elantec, Inc. products are not authorized for and should not be used within Life Support Systems without the specific written consent of Elantec, Inc. Life Support systems are equipment intended to support or sustain life and whose failure to perform when properly used in accordance with instructions provided can be reasonably expected to result in significant personal injury or death. Users contemplating application of Elantec, Inc. Products in Life Support Systems are requested to contact Elantec, Inc. factory headquarters to establish suitable terms & conditions for these applications. Elantec, Inc.'s warranty is limited to replacement of defective components and does not cover injury to persons or property or other consequential damages.