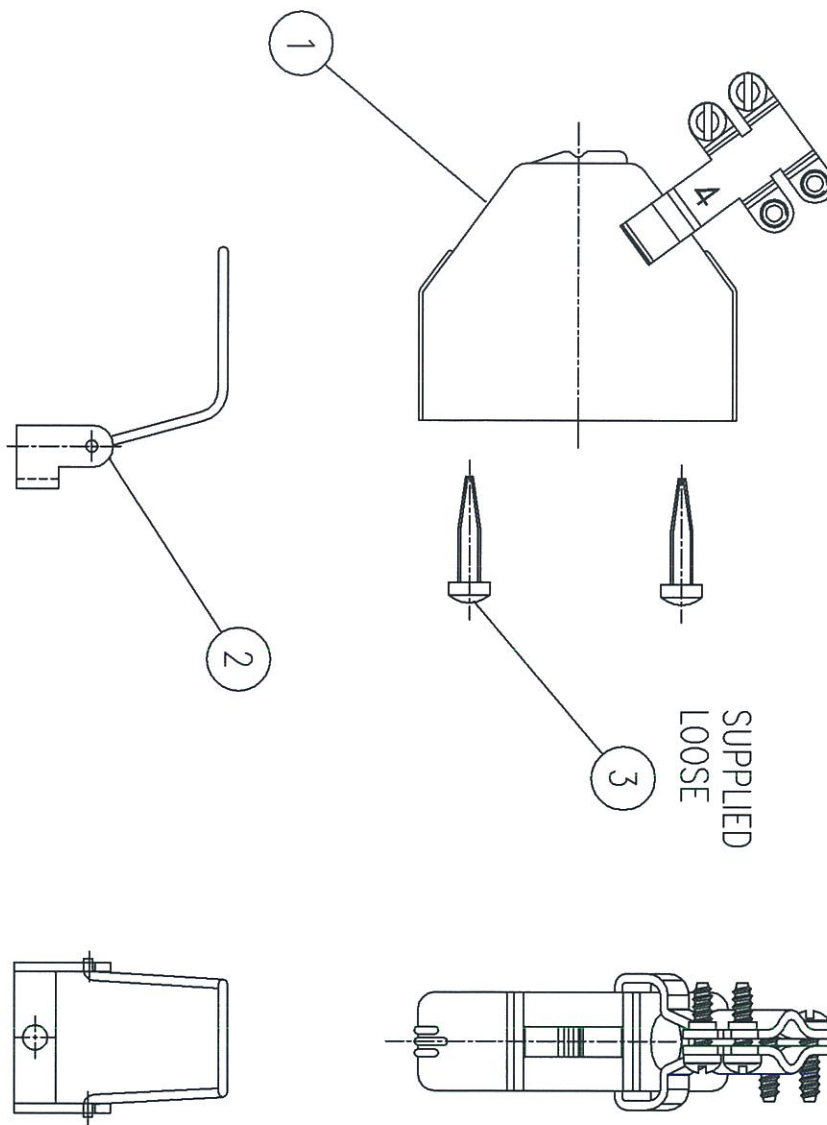




ROHS COMPLIANT

CUSTOMER DRAWING



THIS DRAWING IS COPYRIGHT AND IS ISSUED ON CONDITION IT IS NOT COPIED, REPRODUCED OR DISCLOSED TO A THIRD PARTY WITHOUT THE CONSENT IN WRITING OF CINCH CONNECTORS LTD. ATTENTION IS DRAWN TO THE FACT THAT THE ARTICLE DISCLOSED MAY BE COVERED BY BRITISH OR FOREIGN PATENTS, GRANTED OR PENDING OR REGISTERED DESIGN.

				APP'D					GENERAL TOLERANCE	TITLE 4 WAY MOULD SHELL ASSEMBLY AND SPRING CLIP ASSY			
				DATE					[REDACTED]	DRN.	DATE	SCALE	CHD
				MOD No.						MATERIAL SPEC.	APP'D		
CODE	DESCRIPTION	TE <sub>M</sub>	FINISH	No. OFF	ISSUE	A	B			FINISHED HARDNESS	FINISH TREATMENT	FINISHED COLOUR	
	SCREW	3	ZINC PLATE	2	APP'D								
	SPRING CLIP ASSY	2		1	DATE	30.03.11	25.08.13						
	SHELL ASSY	1		1	MOD No.								
					A CUST. ISS.	30.03.11							
					B	01/7/59	25/08/13						