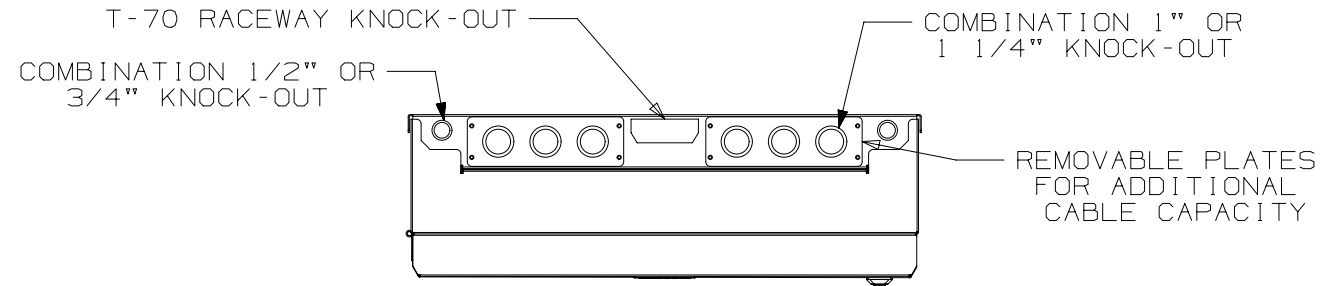
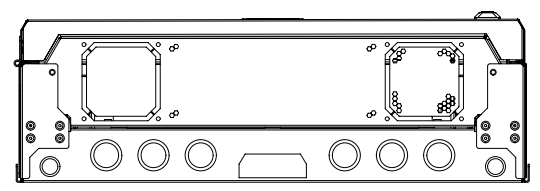
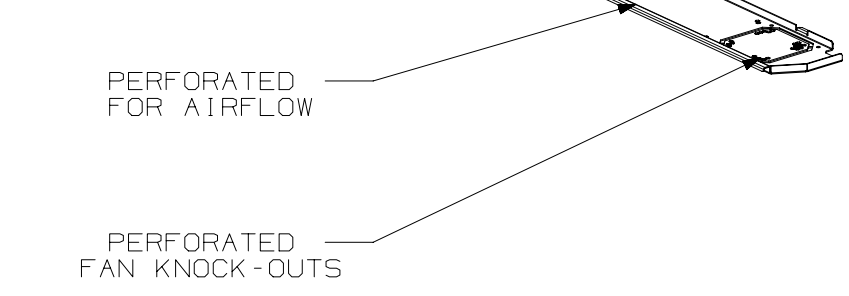
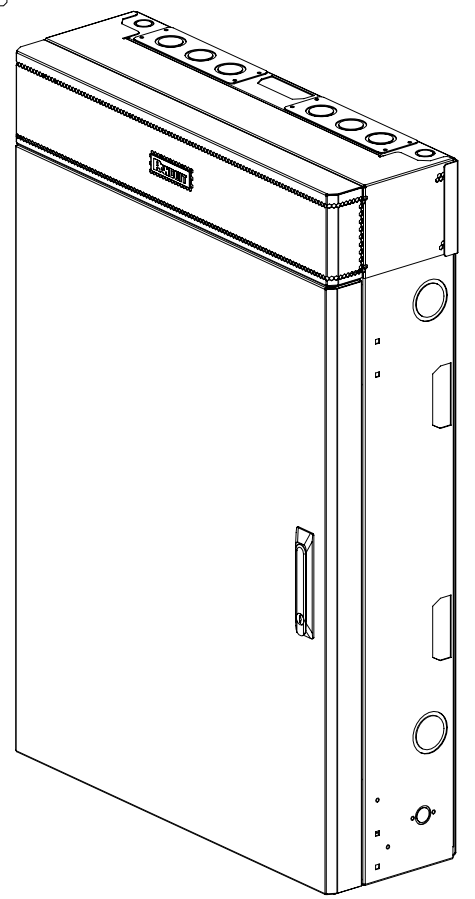
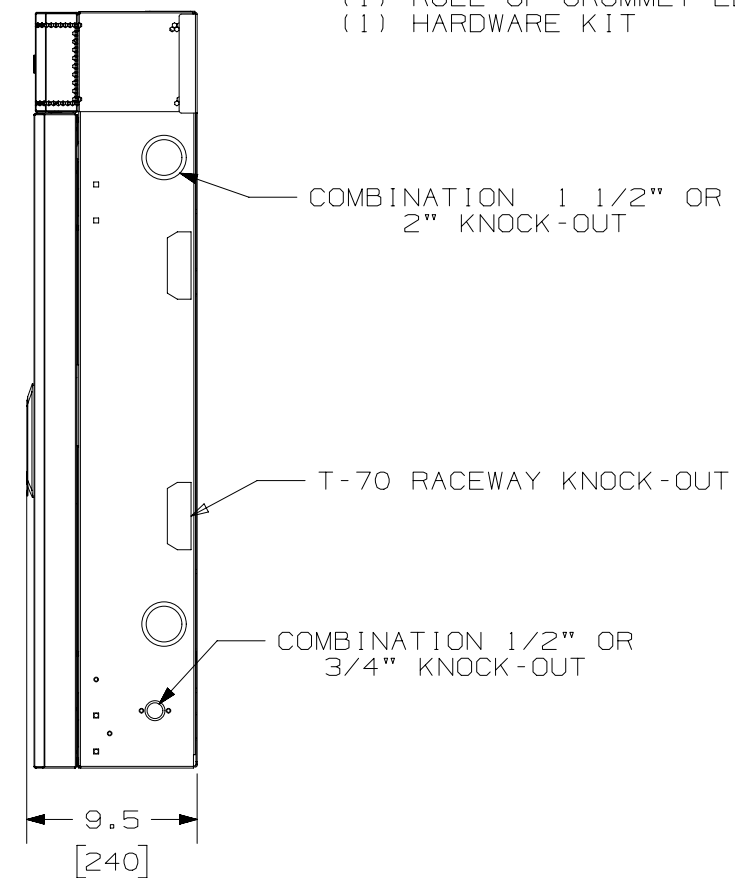
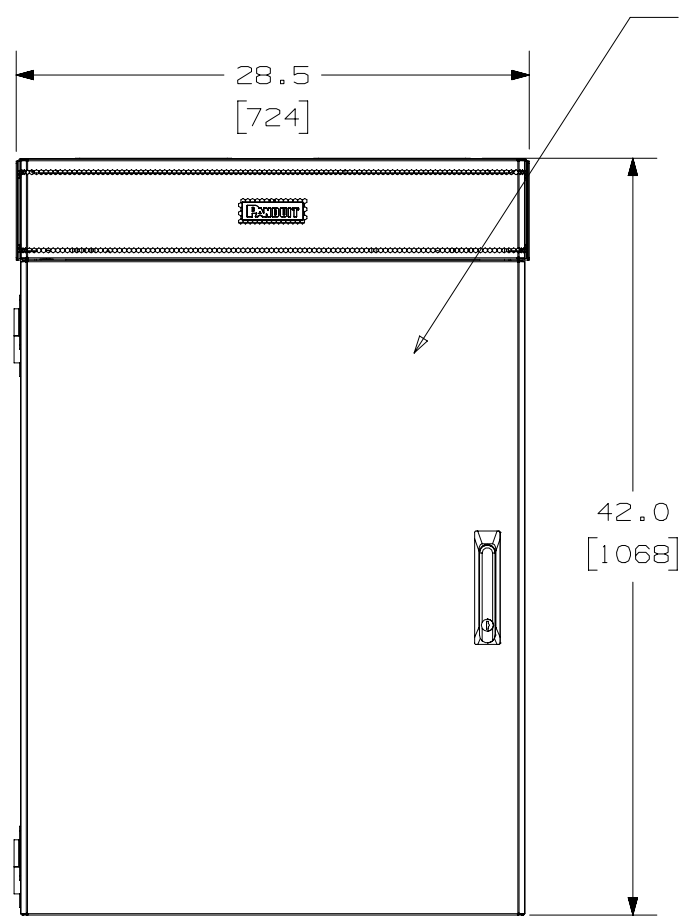
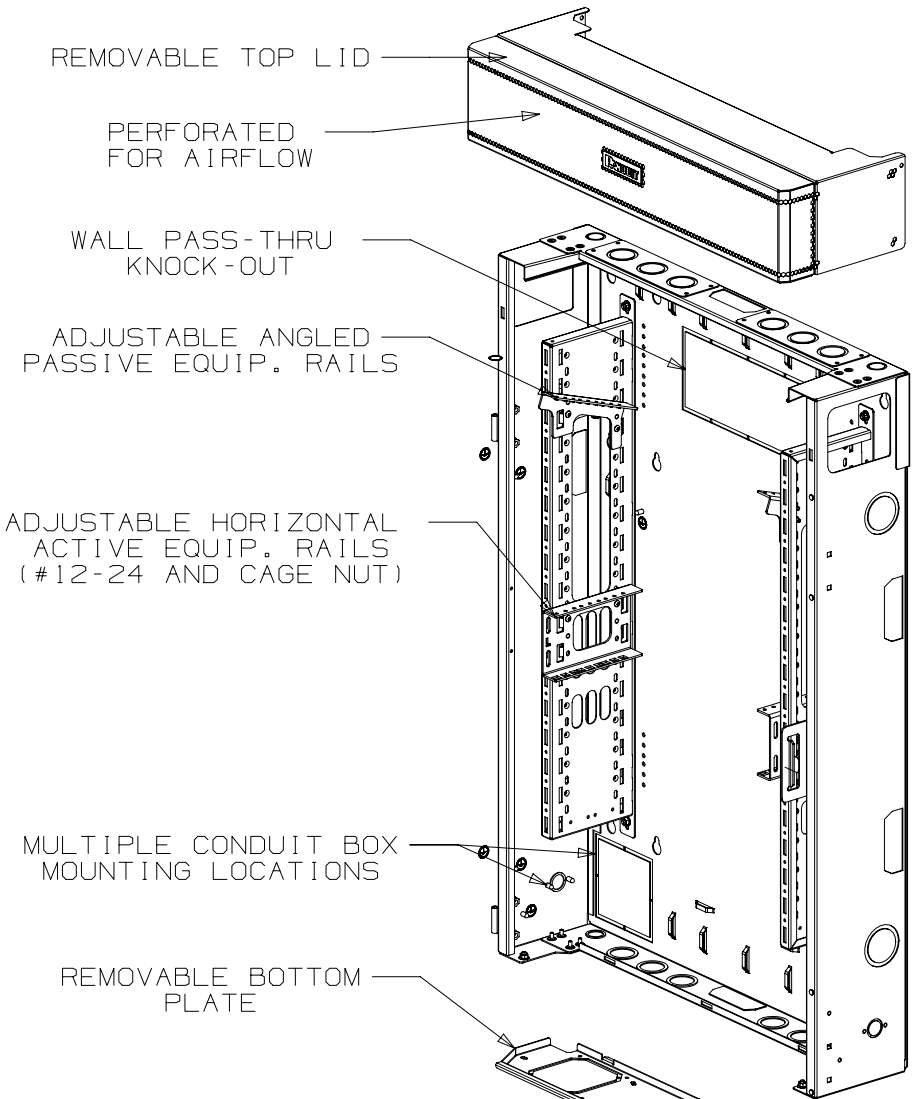


THIS COPY IS PROVIDED ON A RESTRICTED BASIS AND IS NOT TO BE USED IN ANY WAY DETRIMENTAL TO THE INTERESTS OF PANDUIT CORP.



NOTES:

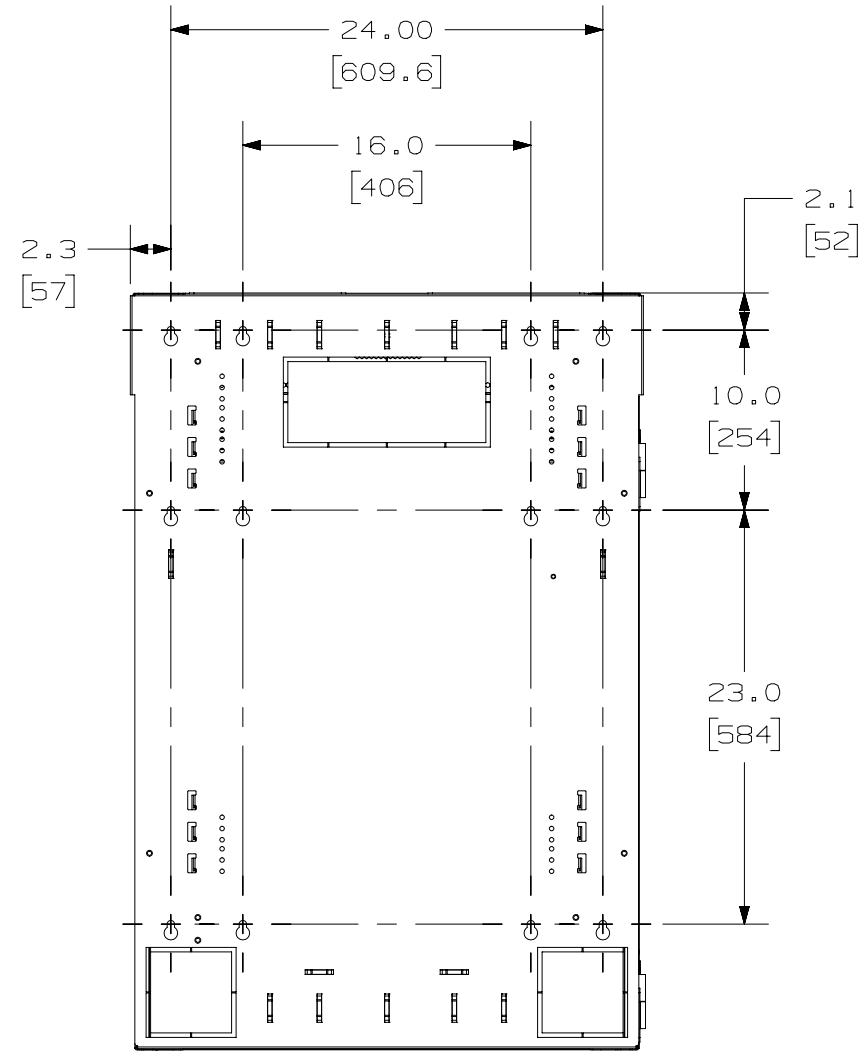
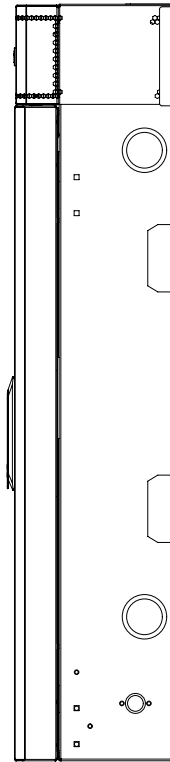
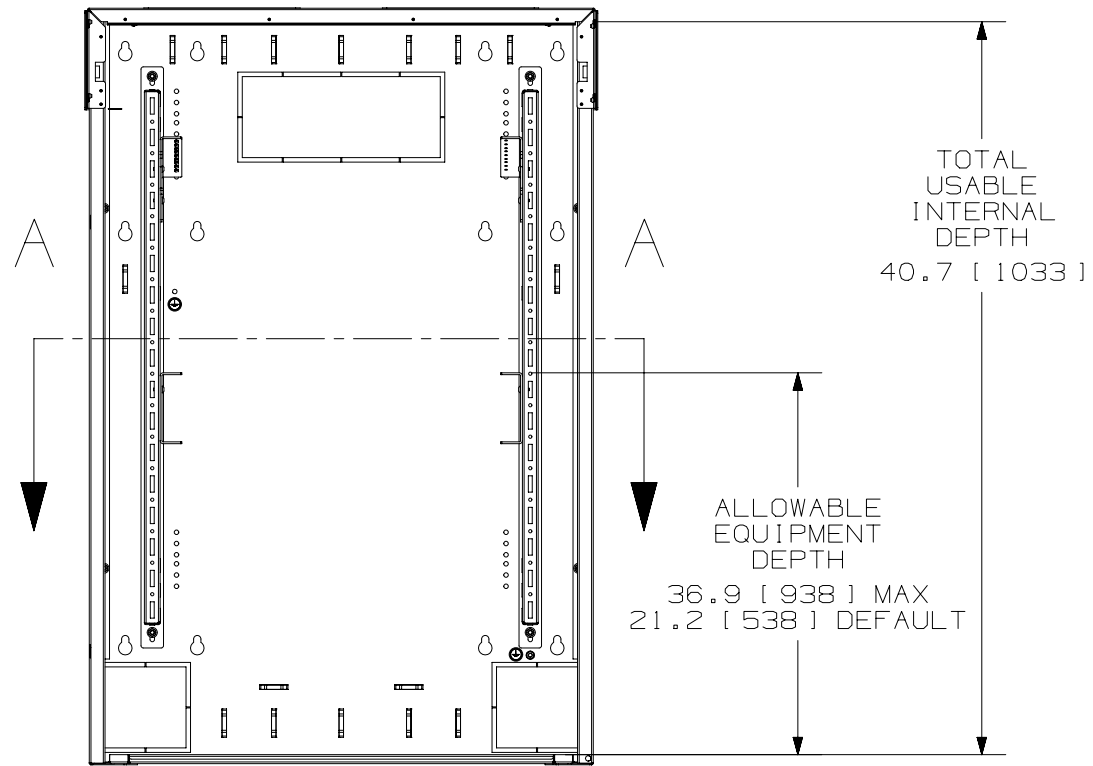
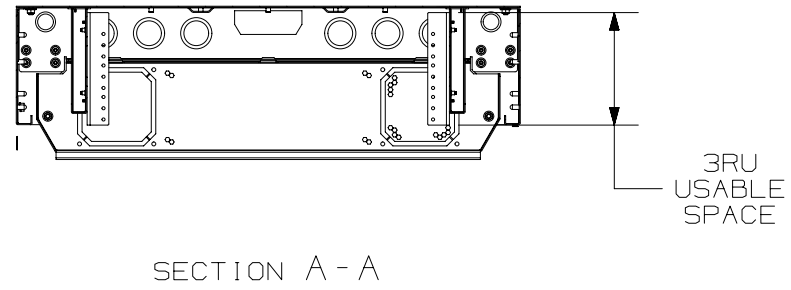
1. VISIT OUR ON-LINE CATALOG AT WWW.PANDUIT.COM FOR A LIST OF CURRENT PARTS APPLICABLE FOR USE WITH THIS PRODUCT.
2. DIMENSIONS IN [] ARE METRIC.
3. CAN BE USED WITH ANY 19" EIA STANDARD COMPONENT UP TO 36.9" [938mm] DEEP.
4. 6 AVAILABLE RACK SPACES. (3 ACTIVE &/OR 3 PASSIVE)
5. EQUIPMENT MOUNTING BRACKETS ARE ADJUSTABLE VERTICALLY IN 1.75" [44.5mm] INCREMENTS.
6. WEIGHT: 77 LB [34.9 KG]
7. LOAD CAPACITY: 400 LBS
8. TOP AND BOTTOM PANELS ARE REMOVABLE FOR ACCESS TO EQUIPMENT.
9. PART INCLUDES:
 - (1) VERTICAL WALL MOUNT ENCLOSURE
 - (1) PAIR OF HORIZONTAL ACTIVE EQUIPMENT RAILS (3RU)
 - (1) PAIR OF ANGLED PASSIVE EQUIPMENT RAILS (3RU)
 - (4) #12-24 SCREWS
 - (4) M5 THREAD FORMING BONDING SCREWS
 - (1) ROLL OF TAK-TY HOOK AND LOOP CABLE TIE
 - (2) KEYS
 - (1) ROLL OF GROMMET EDGING
 - (1) HARDWARE KIT

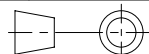


PART NUMBER		WME3BL		
TITLE		VERTICAL WALL MOUNT ENCLOSURE 3RU		
ITEM REVISION NAME		CUSTOMER DRAWING		
DATASET FILE NAME		00490EAA/02		
		00490EAA_DC/02A		
MATERIAL		STEEL		
DRAWN BY		TJV		
DATE		3-17-20		
CHK		KZU		
SCALE		NONE		
DRAWING NUMBER		00490EAA - DC		
SHEET 1 OF 3		B		

REV	DATE	BY	CHK	APR	DESCRIPTION	ECN
02A	3-17-20	TWV	KZU	BETL	RELEASED TO PRODUCTION	M09000LH

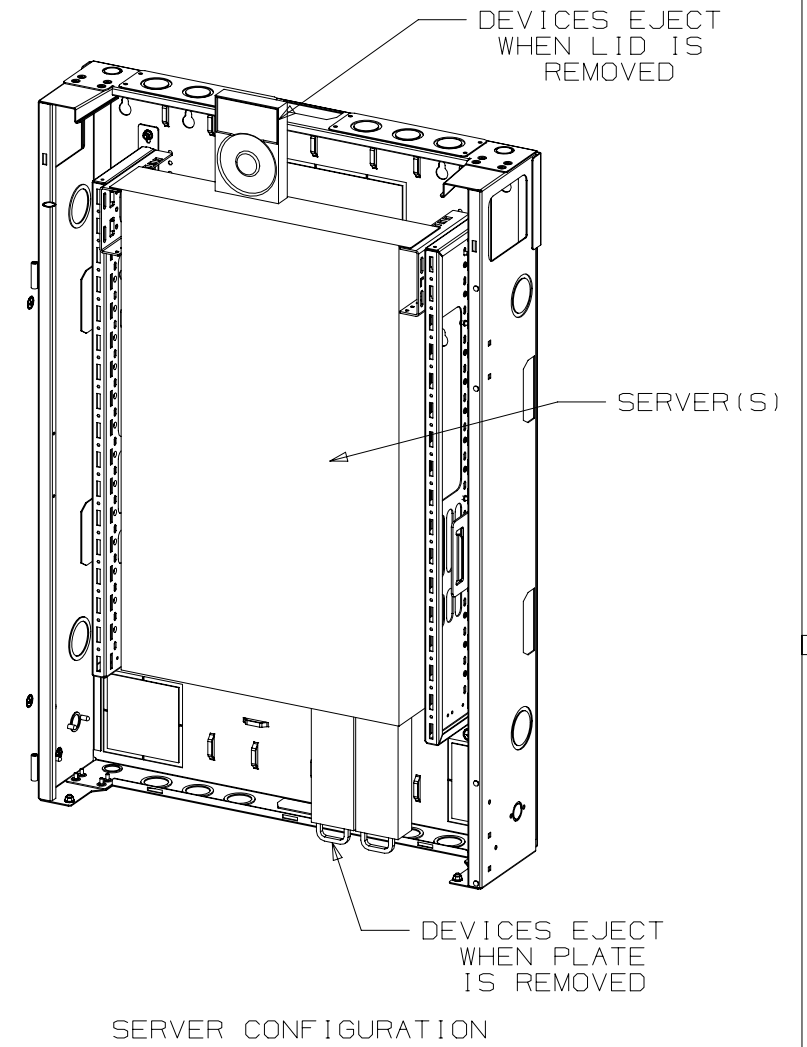
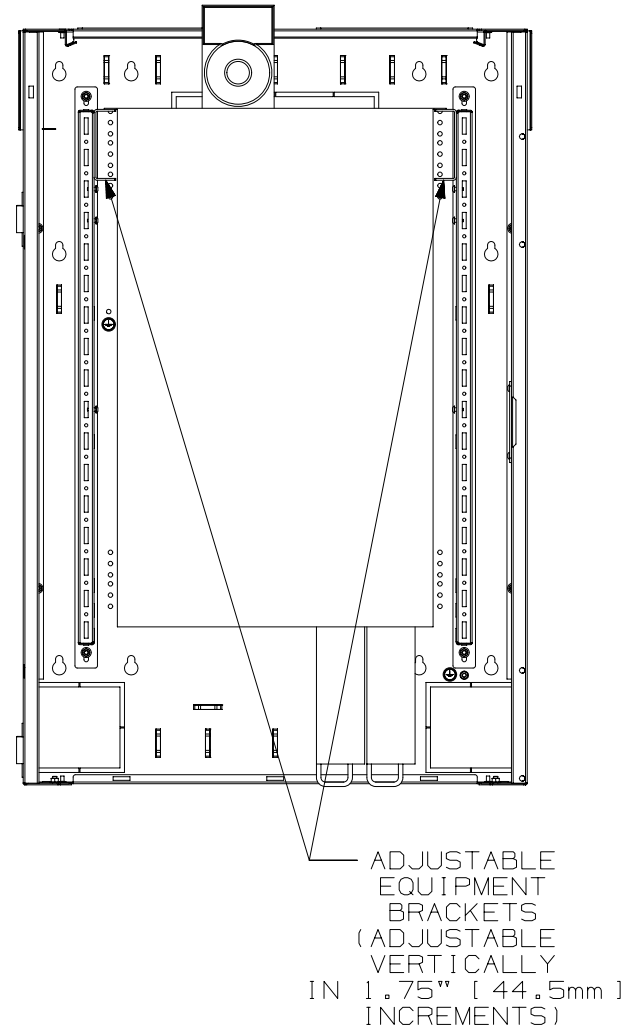
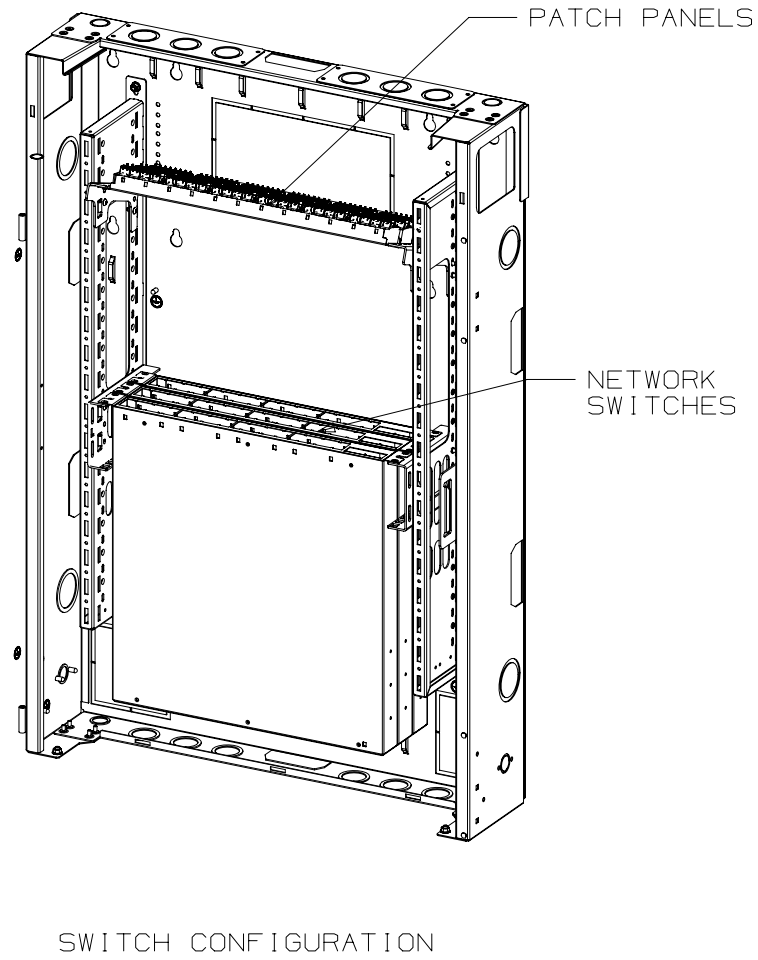
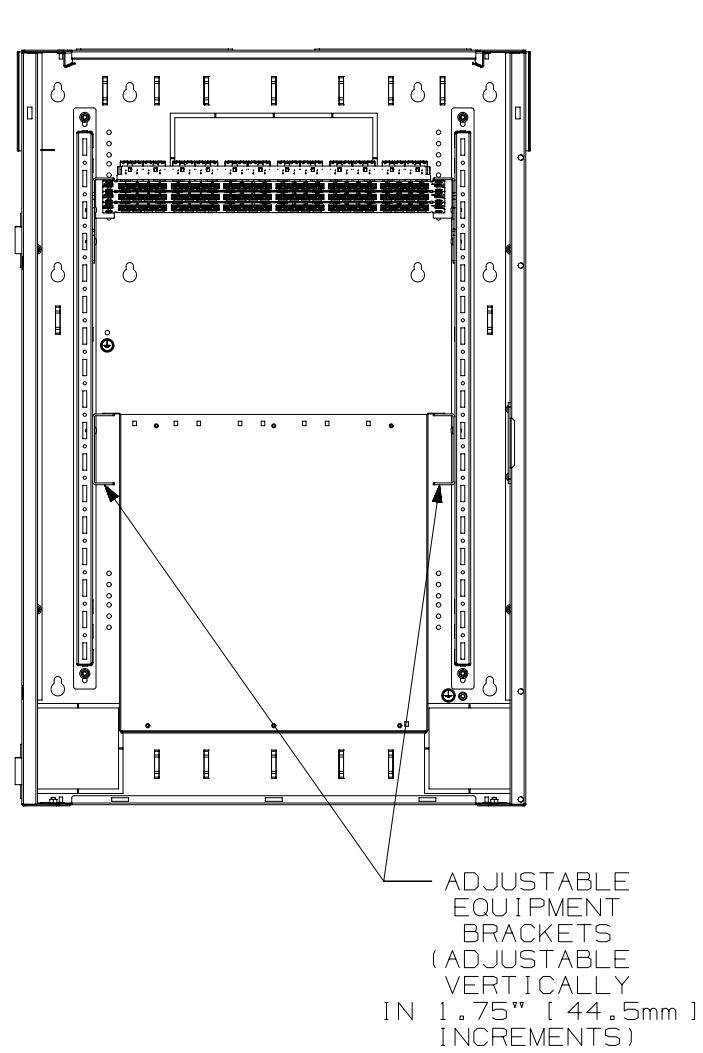
B-SIZE CUSTOMER



PART NUMBER		WME3BL		
TITLE		VERTICAL WALL MOUNT ENCLOSURE 3RU		
		CUSTOMER DRAWING		
ITEM REVISION NAME		00490EAA/02		
DATASET FILE NAME		00490EAA_DC/02A		
		THIRD ANGLE PROJECTION		
MATERIAL		STEEL		DRAWING NUMBER
				00490EAA - DC
DRAWN BY	DATE	CHK	SCALE	SIZE
TWV	3-17-20	KZU	NONE	B
SHEET 2 OF 3				

REV	DATE	BY	CHK	APR	DESCRIPTION	ECN
02A	3-17-20	TWV	KZU	BETL	SEE SHEET ONE FOR REVISIONS	M09000LH

B-SIZE CUSTOMER



PART NUMBER		WME3BL	
TITLE		VERTICAL WALL MOUNT ENCLOSURE 3RU	
ITEM REVISION NAME		CUSTOMER DRAWING	
DATASET FILE NAME		00490EAA/02	
MATERIAL		STEEL	
DRAWING NUMBER		00490EAA - DC	
THIRD ANGLE PROJECTION		PANDUIT	
DRAWN BY	DATE	CHK	SCALE
TWV	3-17-20	KZU	NONE
REV	DATE	BY	CHK
02A	3-17-20	TWV	KZU
DESCRIPTION		ECN	
SEE SHEET ONE FOR REVISIONS		M09000LH	
SHEET 3 OF 3		B	

02A	3-17-20	TWV	KZU	BETL	SEE SHEET ONE FOR REVISIONS	M09000LH
REV	DATE	BY	CHK	APR	DESCRIPTION	ECN

B

A

A

B

A

A