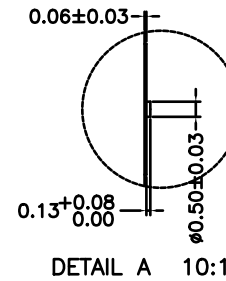
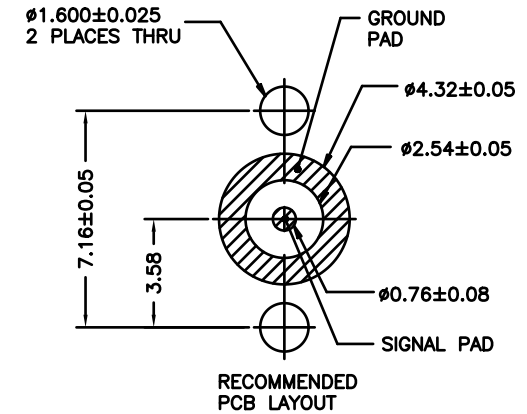
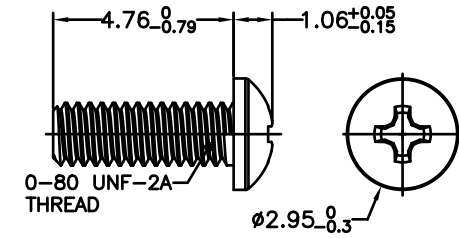
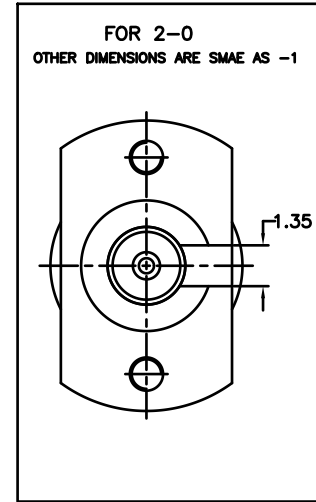
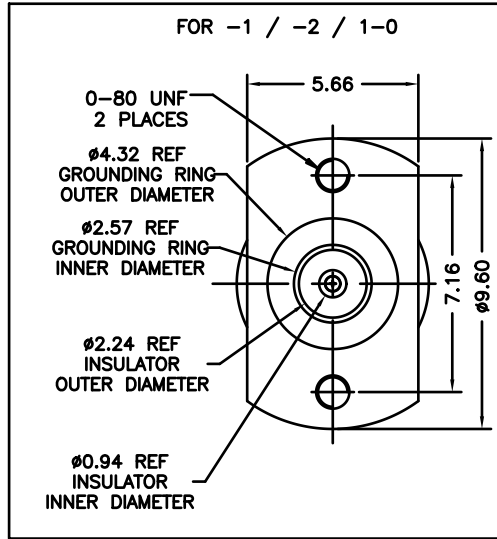
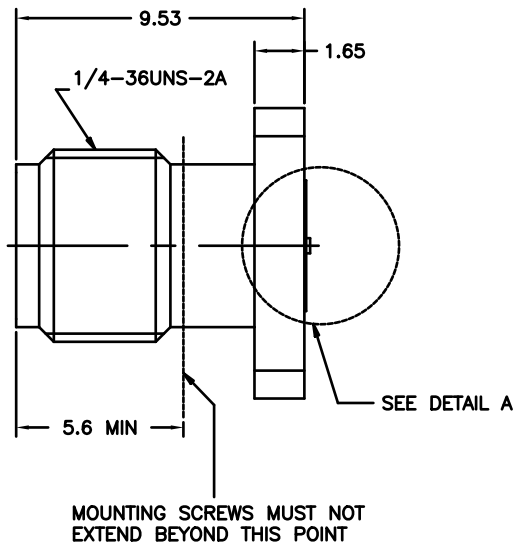


THIS DRAWING IS UNPUBLISHED. RELEASED FOR PUBLICATION  
 © COPYRIGHT By ALL RIGHTS RESERVED.

REVISIONS				
#	LR	DESCRIPTION	DATE	BY / APP
A2	ECR-19-009451		20JUN2019	RZ / RS



QTY	DESCRIPTION	MATERIAL	ITEM
2	PASSIVATE	STEEL	SCREW
1	CuZnSn2um	BRASS	OUTER CONTACT
1	PASSIVATE	STEEL	OUTER CONTACT
1		PTFE	INSULATION
1	Ag3um	BECU	CENTER CONTACT
1	Au1.27um	BECU	CENTER CONTACT
2-0	1-0	-2	-1
	PLATING	MATERIAL	DESCRIPTION
			ITEM

QUANTITY PER ASSY		PAST LIST	
0	PLC	±	
1	PLC	± 0.2	
2	PLC	± 0.10	
3	PLC	±	
4	PLC	±	
	ANGLES	± 1	

THIS DRAWING IS A CONTROLLED DOCUMENT.		DATE: 27 SEP 2012	BY: RING LIU
DIMENSIONS: mm		DATE: 27 SEP 2012	BY: RITA ZUO
TOLERANCES UNLESS OTHERWISE SPECIFIED:		DATE: 27 SEP 2012	BY: MARTIN YE
MATERIAL: SEE TABLE		FINISH: SEE TABLE	APPROVAL: [Signature]
WEIGHT: 0		SCALE: A2	DRIVING NO: 00779
CUSTOMER DRAWING		SCALE: 10:1	SHEET: 1 OF 1

ELECTRICAL	MECHANICAL	ENVIRONMENTAL
Impedance (Ohm) 50	Interface Dimension MIL-STD-348B Fig. 310-2	TEMPERATURE RANGE -65°C TO +105°C
Frequency Range (GHz) DC to 27GHz	Recommended Coupling Torque 7 to 10 In-Lbs	THERMAL SHOCK MIL-STD-202, METH.107, COND.A
Voltage Rating (Peak) @ Sea Level 350 V RMS	Mating Characteristics: insertion (MAX Lbs) 3.0 withdrawal (MIN Oz) 1.0	CORROSION MIL-STD-202, METH.101, COND.B
Insulation Resistance (MIN.) 1000 M ohms	Force to Engage and Disengage (In/lbs)	VIBRATION MIL-STD-202, METH.204, COND.D
Contact Resistance (Milliohms MAX) Center Contact 6.0 Outer Contact 2.0	Center Contact Captivation Axial (Lbs) 6.0 Radial (In/Oz) N/A	SHOCK MIL-STD-202, METH.213, COND.I
Dielectric Withstand Voltage: 750 V RMS Max	Cable Retention Axial (Lbs) N/A Radial (In/Oz) N/A	MOISTURE RESISTANCE MIL-STD-202, METH.106,
Insertion Loss : 0.06*SQRT(F) dB	Mating cycles 500 cycles	ROHS COMPLIANT
RF leakage: N/A		
3rd Intermodulation: N/A		