

May 1990

Voltage Comparator

For Commercial and Industrial Applications

Features:

- Single- or dual-supply operation
- Power consumption - 135 mW at ± 15 V
- Strobe capability
- Low input-offset current - 6 nA (typ.)
- Differential input-voltage range - ± 30 V
- Directly interchangeable with National Semiconductor LM311 Series

Applications:

- Multivibrators
- Positive and negative peak detectors
- Crystal oscillators
- Zero-crossing detectors
- Solenoid, relay, and lamp drivers

The CA311 is a monolithic voltage comparator that operates from dual supplies up to ± 15 V, or from single supplies down to 5 V. This single supply capability makes the outputs of these devices compatible with RTL, DTL, TTL, and MOS circuits. In addition they can drive lamps or relays, and switch voltages up to 40 V at currents as high as 50 mA.

The inputs and outputs of the CA311 can be isolated from

system ground, allowing the output to drive loads referred to ground $V+$, or $V-$.

The CA311 is available in 8-lead TO-5 style packages with standard leads (T suffix), dual-in-line formed leads ("DIL-CAN", S suffix), 8-lead dual-in-line plastic package ("MINI-DIP", E suffix), and in chip form (H suffix).

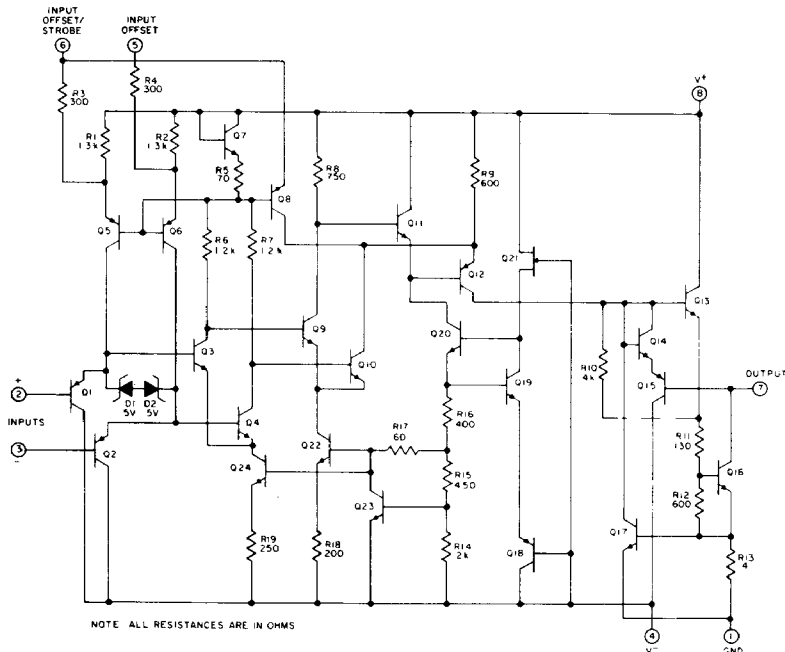


Figure 1 - Schematic diagram of CA311.

*Technical Data on LM Branded types is identical to the corresponding CA Branded types.

CA311, LM311

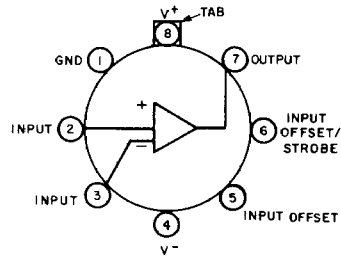
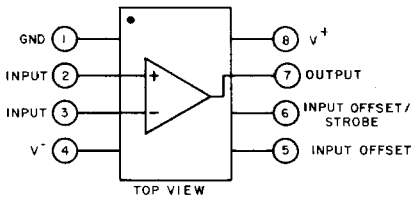
Maximum Ratings, Absolute Maximum Values at $T_A = 25^\circ\text{C}$:

DC SUPPLY VOLTAGE (between V^+ and V^- terminals)	36 V
DC INPUT VOLTAGE*	± 15 V
DIFFERENTIAL INPUT VOLTAGE	± 30 V
OUTPUT TO NEGATIVE SUPPLY VOLTAGE (V_7-4)	40 V
GROUND TO NEGATIVE SUPPLY VOLTAGE (V_1-4)	30 V
OUTPUT SHORT-CIRCUIT DURATION	10 s
DEVICE DISSIPATION:	
UP TO $T_A = 25^\circ\text{C}$	500 mW
Above $T_A = 25^\circ\text{C}$	derate linearly at 6.67 mW/ $^\circ\text{C}$
AMBIENT TEMPERATURE RANGE:	
Operating	0 to $+70^\circ\text{C}$ †
Storage	-65 to $+150^\circ\text{C}$
LEAD TEMPERATURE (DURING SOLDERING):	
At distance $1/16 \pm 1/32$ inch (1.59 ± 0.79 mm) from case for 10 seconds max.	$+265^\circ\text{C}$

*This rating applies for ± 15 V supplies. The positive input-voltage limit is 30 V above the negative supply. The negative input-voltage limit is equal to the negative supply voltage or 30 V below the positive supply. The negative input-voltage limit is equal to the negative supply voltage or 30 V below the positive supply, whichever is less.

†Types CA311 E, S, and T can be operated over the temperature range of -55 to $+125^\circ\text{C}$, although the published limits for certain electrical specifications apply only over the temperature range of 0 to 70°C .

4
COMPARATORS



FUNCTIONAL DIAGRAM FOR PLASTIC PACKAGE.

FUNCTIONAL DIAGRAM FOR TO-5 STYLE PACKAGE.

TYPICAL CHARACTERISTICS

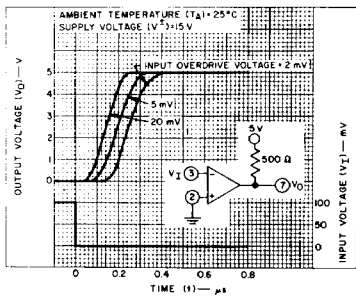


Fig. 2 - Response time for various input overdrive voltages - positive input.

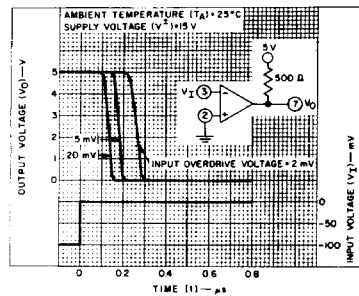


Fig. 3 - Response time for various input overdrive voltages - negative input.

CA311, LM311

ELECTRICAL CHARACTERISTICS

CHARACTERISTICS	TEST CONDITIONS		LIMITS			UNITS
			CA311			
			MIN.	TYP.	MAX.	
Input Offset Voltage V_{IO}	$R_s \leq 5 \text{ k}\Omega$, Note 2	$T_A = 25^\circ\text{C}$	—	2	7.5	mV
		Note 1	—	—	10	
Saturation Voltage	$V_i \leq -10 \text{ mV}$, $I_o = 50 \text{ mA}$	$T_A = 25^\circ\text{C}$	—	0.75	1.5	V
	$V^+ \geq 4.5 \text{ V}$, $V^- = 0$, $V_i \leq -10 \text{ mV}$, $I_{\text{SINK}} \leq 8 \text{ mA}$	Note 1	—	0.23	0.4	
Input Voltage Range V_{IPP}		Note 1	—	± 14	—	V
Input Offset Current I_{IO}	Note 2	$T_A = 25^\circ\text{C}$	—	6	50	nA
		Note 1	—	—	70	
Input Bias Current I_{IB}	Note 2	$T_A = 25^\circ\text{C}$	—	100	250	nA
		Note 1	—	—	300	
Positive Supply Current I^+		$T_A = 25^\circ\text{C}$	—	5.1	7.5	mA
Negative Supply Current I^-		$T_A = 25^\circ\text{C}$	—	4.1	5	mA
Output Leakage Current	$V_i \geq 10 \text{ mV}$, $V_o = 35 \text{ V}$	$T_A = 25^\circ\text{C}$	—	—	50	nA
Strobe on Current		$T_A = 25^\circ\text{C}$	—	3	—	mA
Voltage Gain, A		$T_A = 25^\circ\text{C}$	40	200	—	V/mV
Response Time	100 mV Input Step with 5 mV Overdrive Voltage	$T_A = 25^\circ\text{C}$	—	200	—	ns
Input Voltage Range		$T_A = 25^\circ\text{C}$	-14.5	13.8- -14.7	13	V

Note 1: Ambient temperature (T_A) over applicable operating temperature of 0 to +70°C.

Note 2: The input offset characteristics given are the values required to drive the output to within 1 V of either supply with a 1 mA load. These characteristics define an error band which takes into account the worst-case effects of voltage gain and input impedance. The input offset voltage, input offset current, and input bias current specifications apply for any supply voltage from a 5 V single supply up to a ± 15 V dual supply.

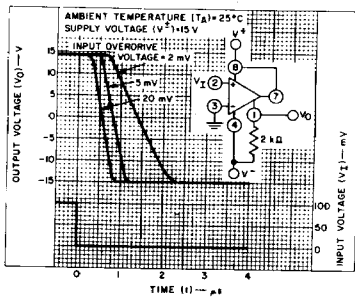


Fig. 4 - Response time for various input overdrive voltages - positive input.

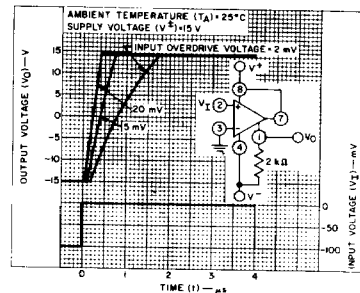


Fig. 5 - Response time for various input overdrive voltages - negative input.

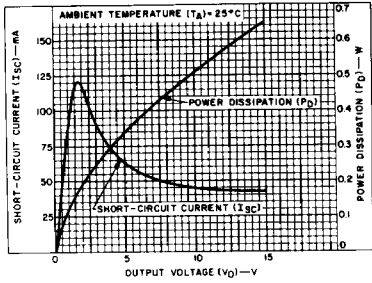


Fig. 6 - Output limiting characteristics.

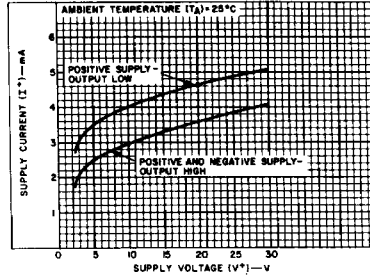


Fig. 7 - Supply current vs. supply voltage.

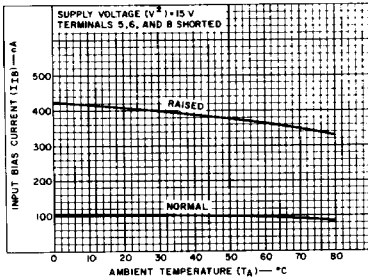


Fig. 8 - Input bias current vs. ambient temperature.

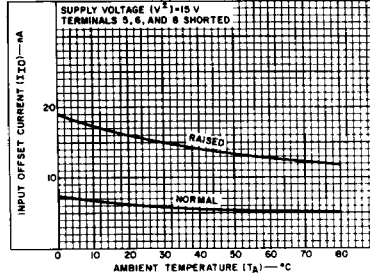


Fig. 9 - Input offset current vs. ambient temperature.

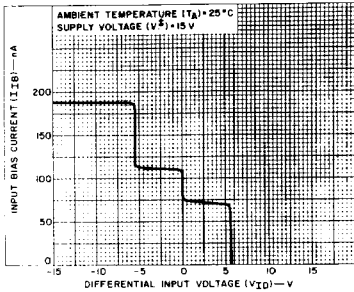


Fig. 10 - Input characteristics.

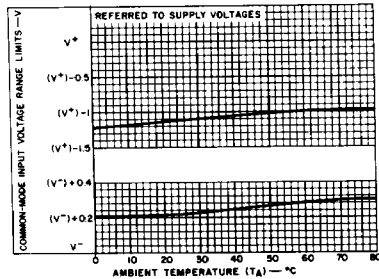


Fig. 11 - Common-mode voltage range limits vs. ambient temperature.

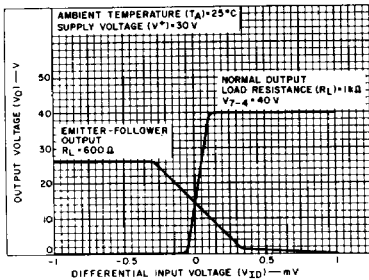


Fig. 12 - Transfer function.

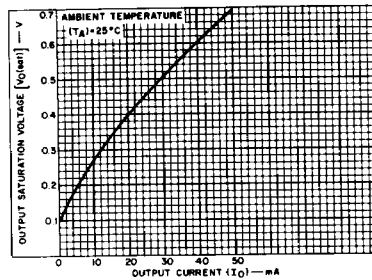


Fig. 13 - Output saturation voltage vs. output current.

CA311, LM311

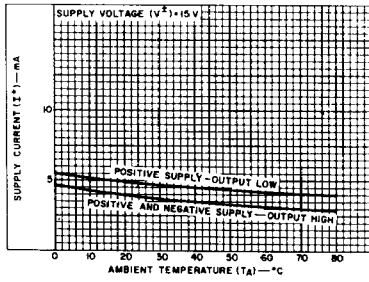


Fig. 14 - Supply current vs. ambient temperature.

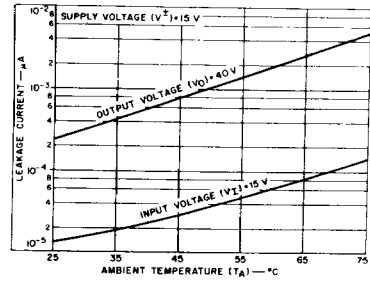


Fig. 15 - Input and output leakage current vs. ambient temperature.

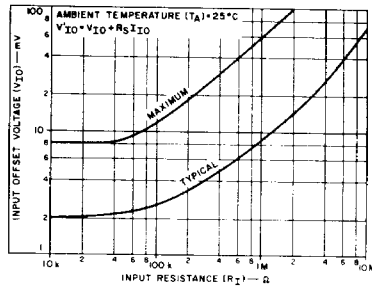


Fig. 16 - Offset error.

TYPICAL APPLICATIONS

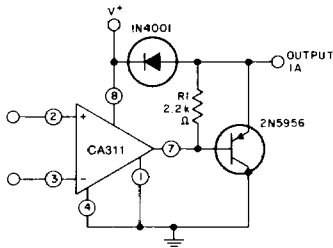


Fig. 17 - Comparator and solenoid driver.

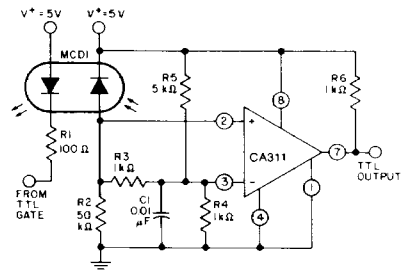
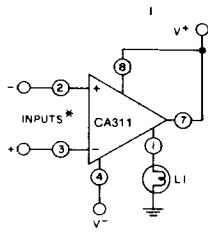


Fig. 18 - Digital transmission isolator.



*INPUT POLARITY IS REVERSED WHEN USING PIN 1 AS OUTPUT

Fig. 19 - Driving a ground-referred load.

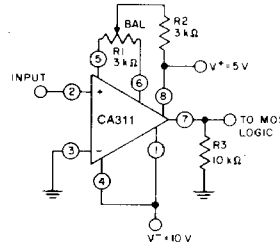


Fig. 20 - Zero-crossing detector driving MOS logic.

CA311, LM311

TYPICAL APPLICATIONS (cont'd)

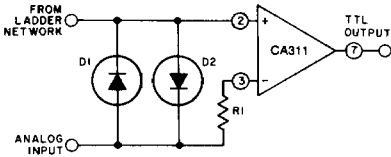
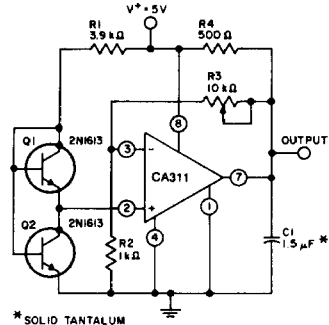


Fig. 21 - Using clamp diodes to improve response.



* SOLID TANTALUM

Fig. 22 - Low-voltage adjustable-reference supply.

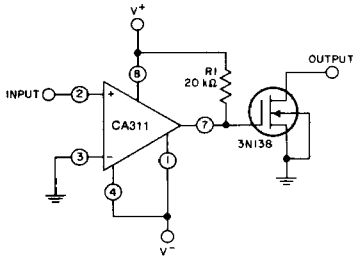
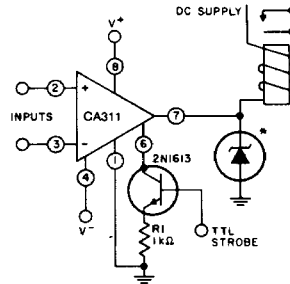
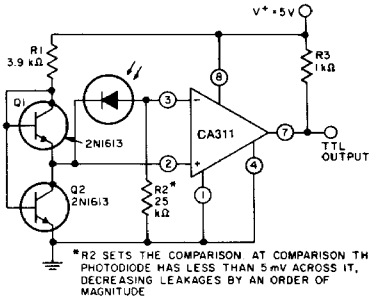


Fig. 23 - Zero-crossing detector driving a MOS switch.



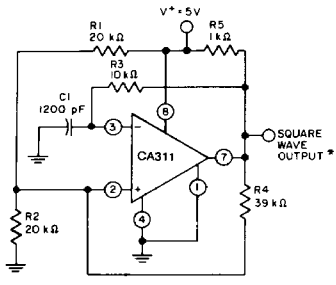
* ABSORBS INDUCTIVE KICKBACK OF RELAY AND PROTECTS IC FROM SEVERE VOLTAGE TRANSIENTS ON DC SUPPLY LINE

Fig. 24 - Relay driver with strobe.



* R2 SETS THE COMPARISON AT WHICH THE PHOTOVOLTAGE HAS LESS THAN 5mV ACROSS IT, DECREASING LEAKAGES BY AN ORDER OF MAGNITUDE

Fig. 25 - Precision photodiode comparator.



* TTL OR DTL FANOUT OF TWO

Fig. 26 - 100-kHz free-running multivibrator.

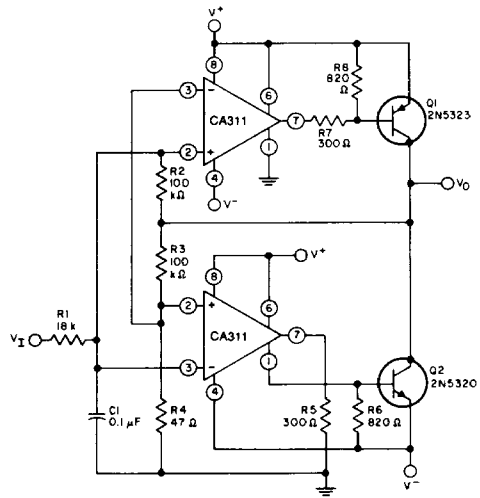
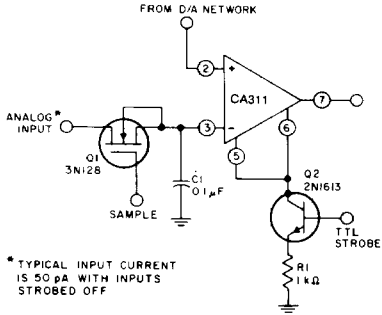


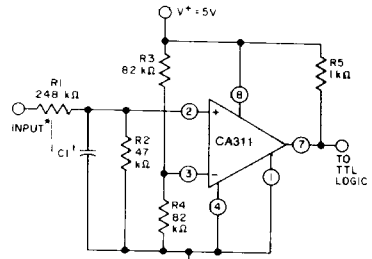
Fig. 27 - Switching power amplifier.

TYPICAL APPLICATIONS (cont'd)



* TYPICAL INPUT CURRENT IS 50 pA WITH INPUTS STROBED OFF

Fig. 28 - Strabling off both input and output stages.



* VALUES SHOWN ARE FOR A D TO 30V LOGIC SWING AND A 15 V THRESHOLD

† MAY BE ADDED TO CONTROL SPEED AND REDUCE NOISE SPIKES

Fig. 29 - TTL interface with high-level logic.

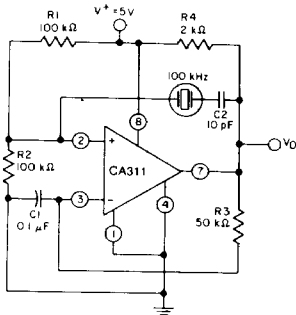
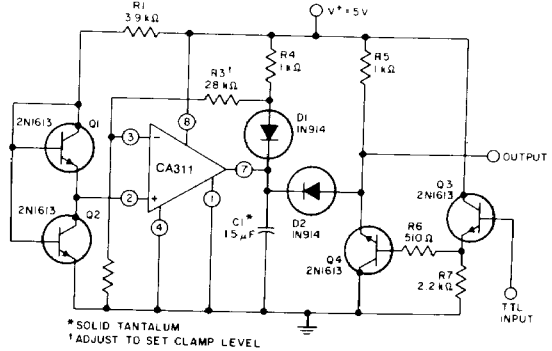
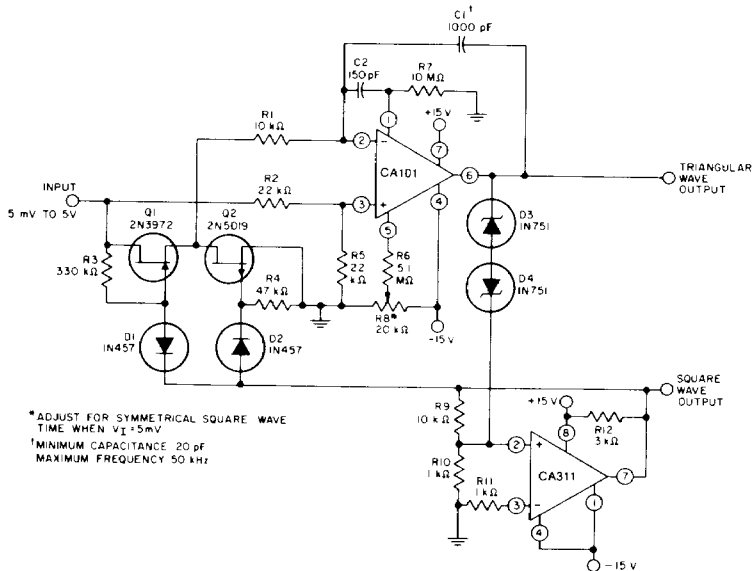


Fig. 30 - Crystal oscillator.



* SOLID TANTALUM
† ADJUST TO SET CLAMP LEVEL

Fig. 31 - Precision squarer.



* ADJUST FOR SYMMETRICAL SQUARE WAVE TIME WHEN $V_I = 5\text{mV}$
† MINIMUM CAPACITANCE 20 pF
‡ MAXIMUM FREQUENCY 50 kHz

Fig. 32 - 10 Hz to 10 kHz voltage controlled oscillator.

CA311, LM311

TYPICAL APPLICATIONS (cont'd)

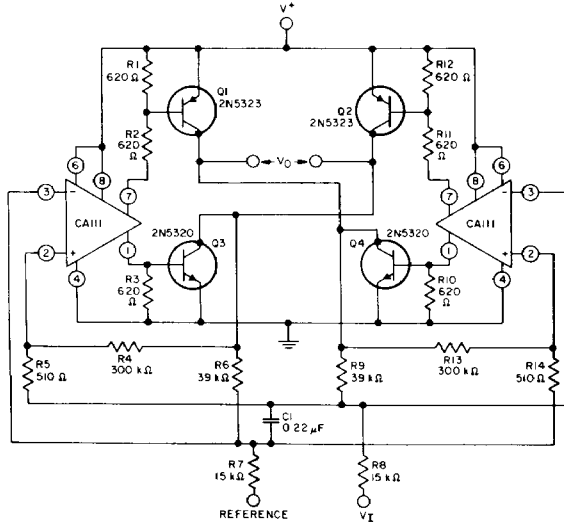
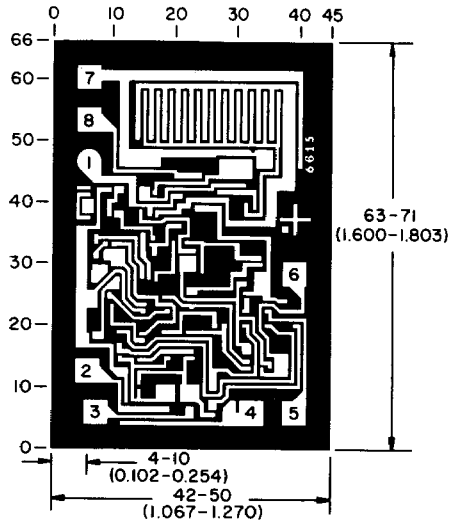


Fig. 33 - Switching power amplifier.



Dimensions and pad layout for CA311H.

Dimensions in parentheses are in millimeters and are derived from the basic inch dimensions as indicated. Grid graduations are in mils (10^{-3} inch).