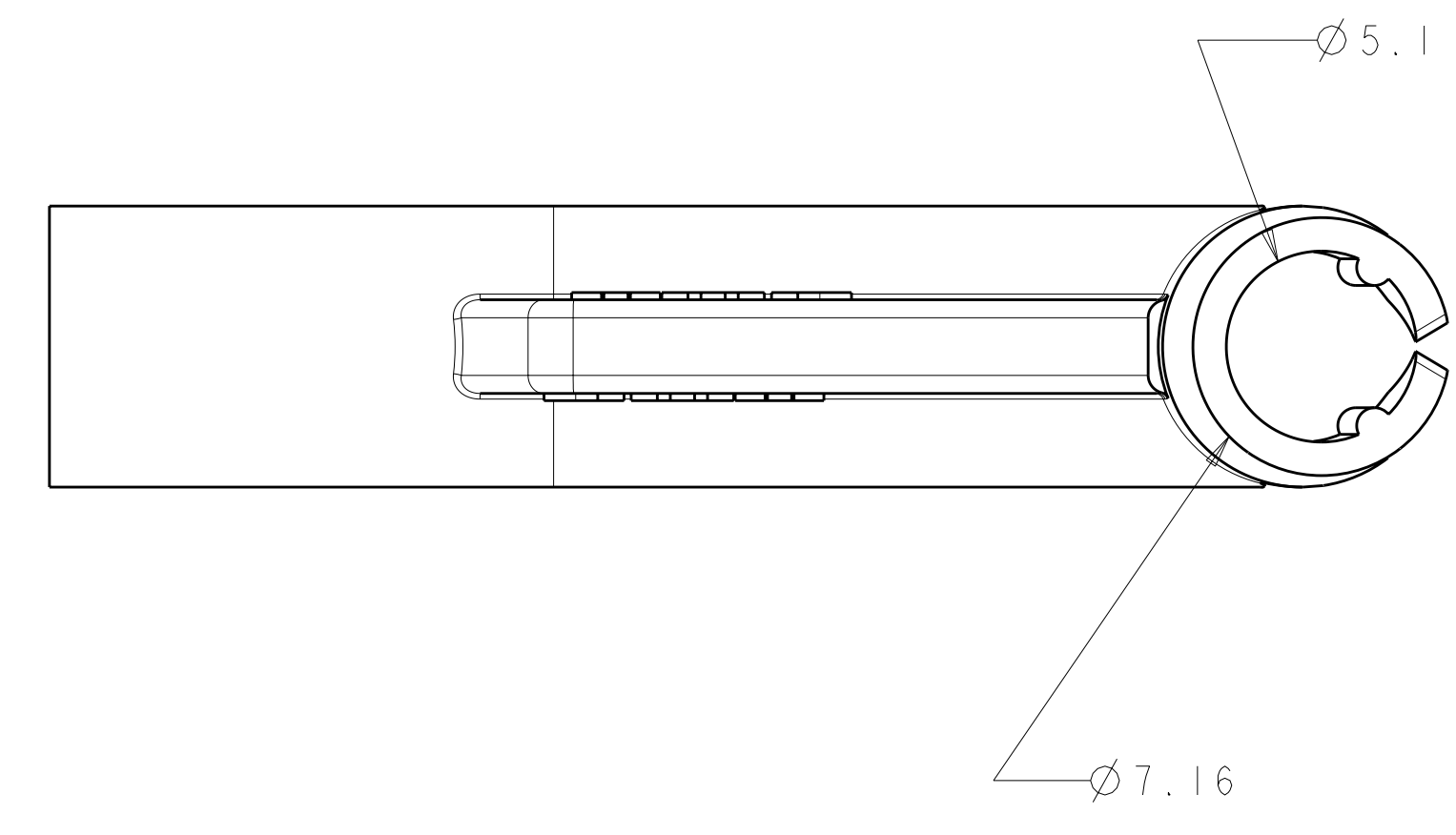
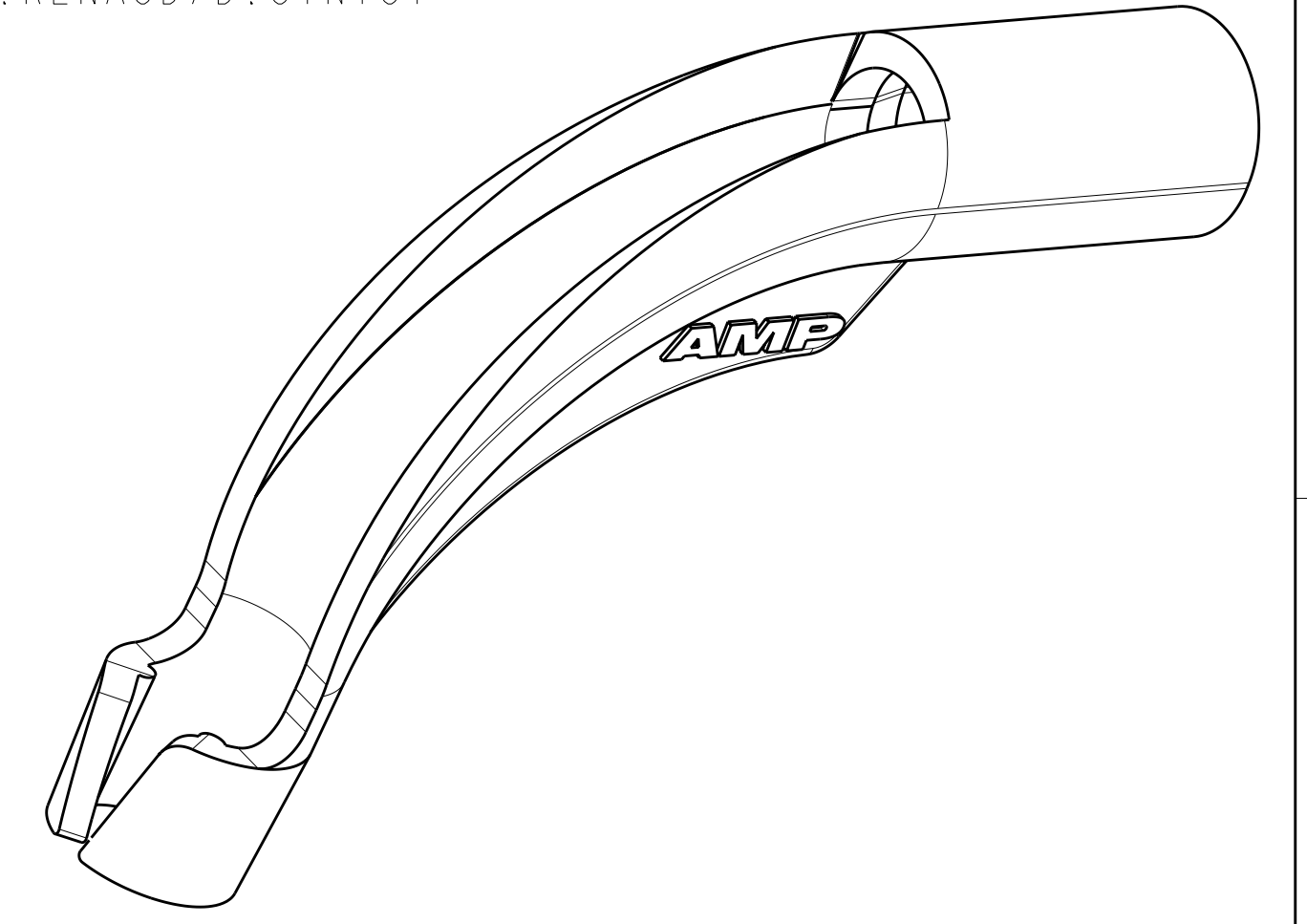
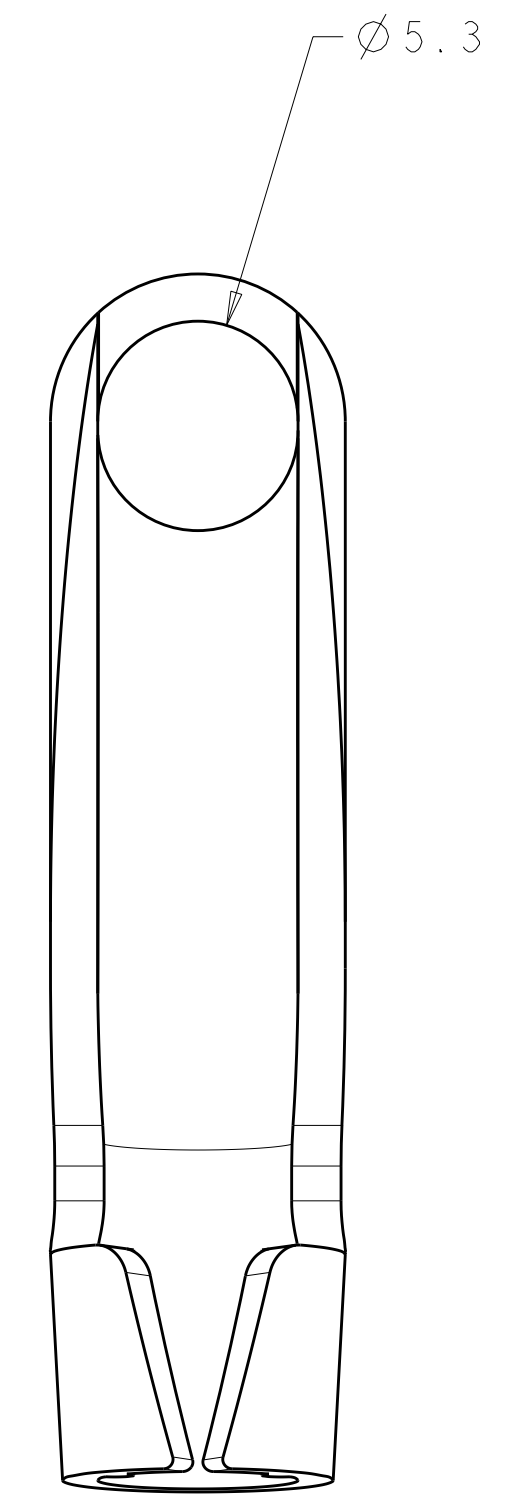
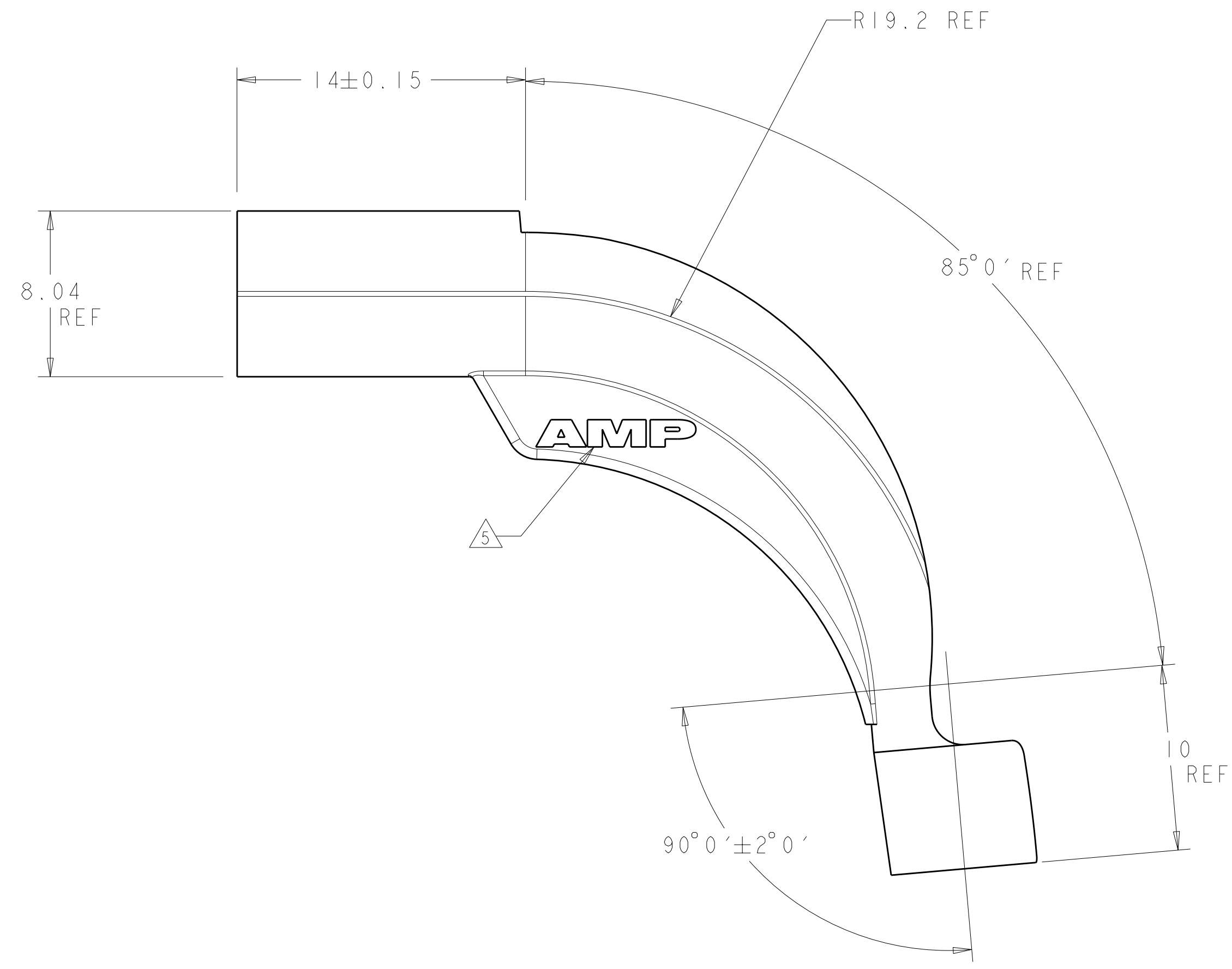
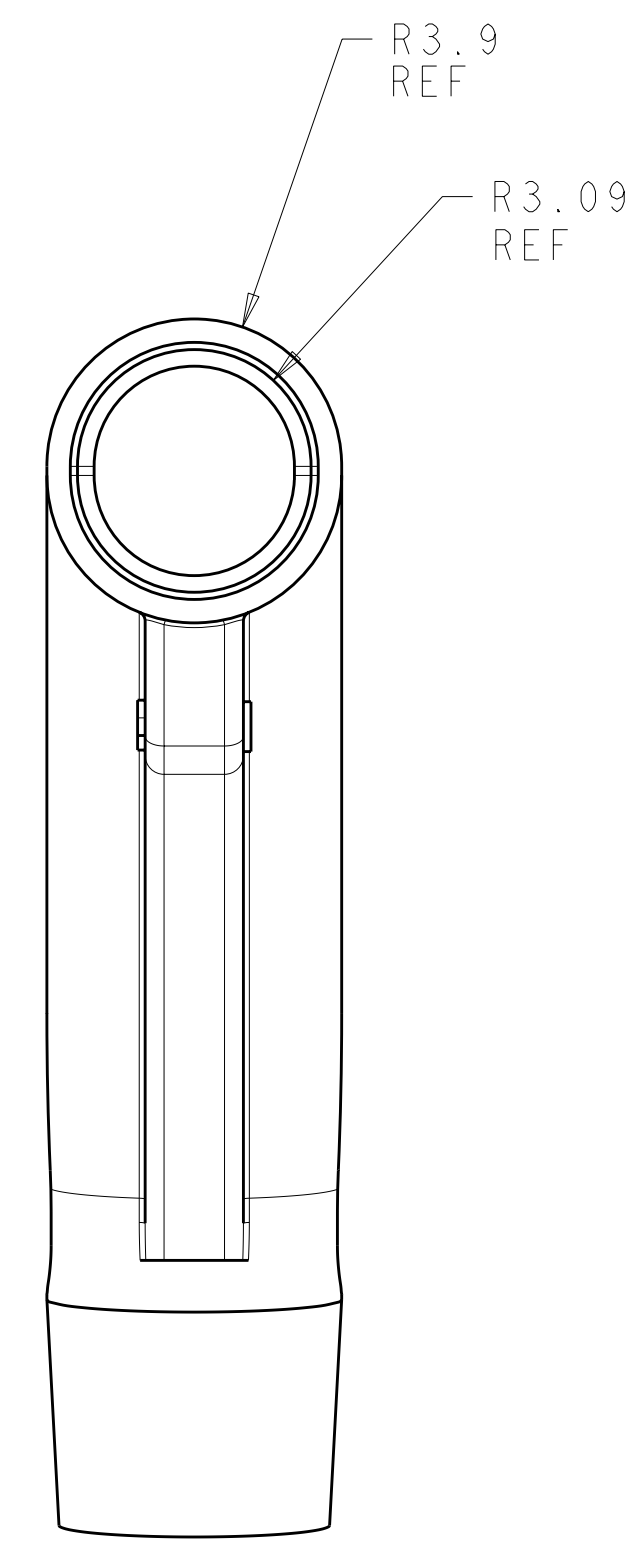


LOC	DIST	REV	DATE	BY	CHKD	APVD
CE	16	0	9JUL2000	LM	SH	
		A	16AUG2000	SH	LM	
		B	01AUG2001	LM	SH	
		BI	10DEC2009	KK	AE	

- 1 MATERIAL: THERMOPLASTIC, COLOR:BLACK.
- 2 MATERIAL: THERMOPLASTIC, COLOR:GREEN.
- 3 MATERIAL: THERMOPLASTIC, COLOR:BLUE.
- 4 MATERIAL: THERMOPLASTIC, COLOR:RED.
- 5 MOLDED IN AMP LOGO FOR -1 THRU -4
- 6 OBSOLETE PARTS: OBSOLETE CIS STREAMLINING PER D.RENAUD/D.SINISI



REV	DESCRIPTION	DATE	BY	CHKD	APVD
0	REL PER NPR 00-471	9JUL2000	LM	SH	
A	REV PER ECN 0A00-0689-00	16AUG2000	SH	LM	
B	REV PER ECN 0A00-0116-01	01AUG2001	LM	SH	
BI	REVISED PER ECO-09-025699	10DEC2009	KK	AE	

REV	DESCRIPTION	DATE	BY	CHKD	APVD
NO	RED		4		1374703-8
NO	BLUE		3		1374703-7
NO	GREEN		2		1374703-6
NO	BLACK		1		1374703-5
YES	RED		4		1374703-4
YES	BLUE		3		1374703-3
OBSOLETE	YES	GREEN	2		1374703-2
YES	BLACK		1		1374703-1
	AMP LOGO	COLOR	MATERIAL	PART NUMBER	

4805 (2/09) Prt/ENGINEER DRAWING

THIS DRAWING IS UNPUBLISHED. RELEASED FOR PUBLICATION BY TYCO ELECTRONICS CORPORATION, ALL INTERNATIONAL RIGHTS RESERVED.

DATE: 25 MAY 2000  
 CHK: MORNINGSTAR  
 S. HILKER  
 DATE: 07 JUL 2000  
 F. ARENDSCHEIN

**Tyco Electronics** Tyco Electronics  
 Harrisburg, PA 17105-3608

NAME: OPEN DIRECTOR LIGHTRAY MPX

PRODUCT SPEC: -  
 APPLICATION SPEC: -  
 WEIGHT: -

SIZE: A1 CAGE CODE: C- DRAWING NO: 1374703 RESTRICTED TO: -  
 SCALE: 5:1 SHEET 1 OF 1 REV: BI

CUSTOMER DRAWING