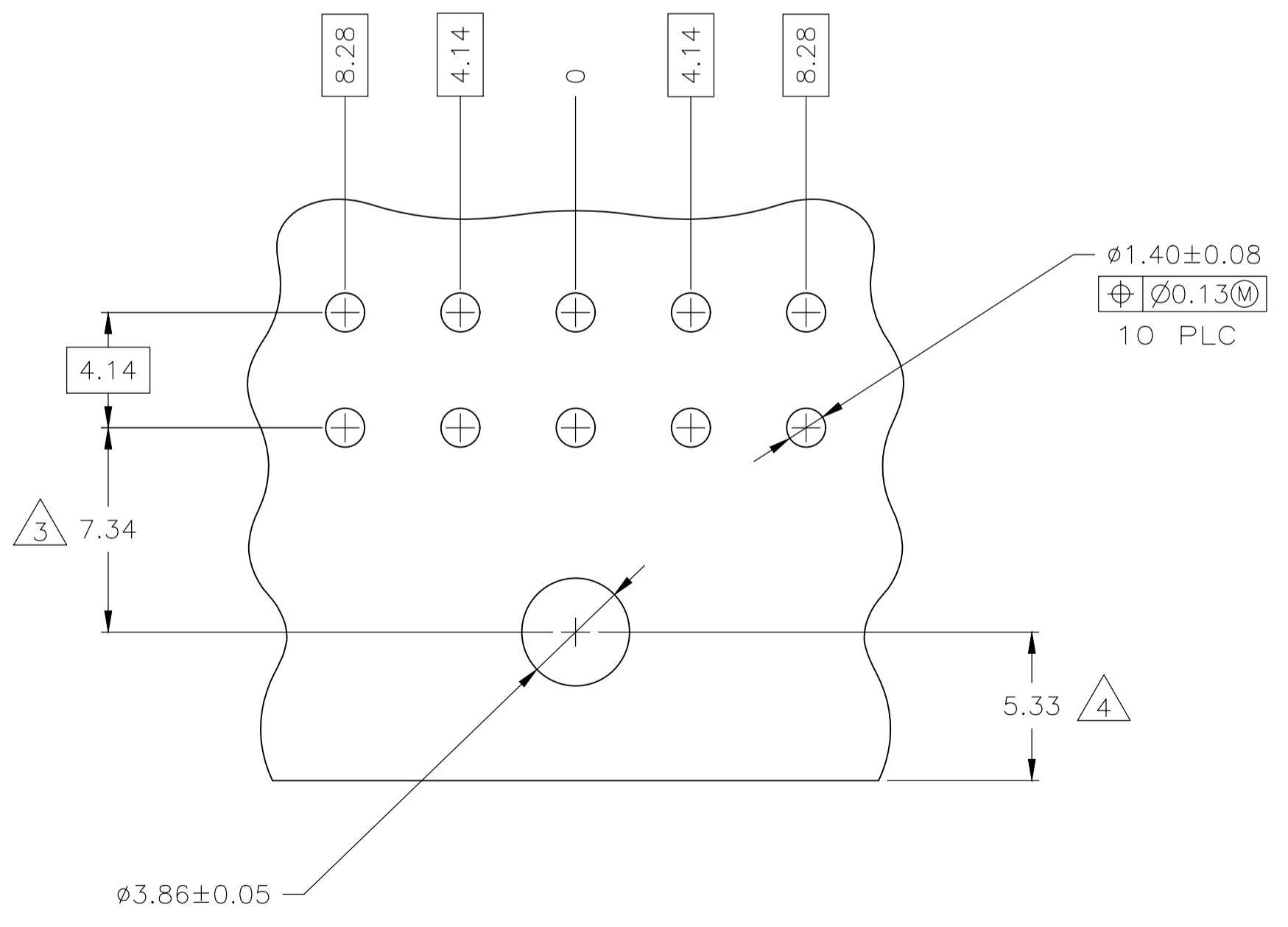
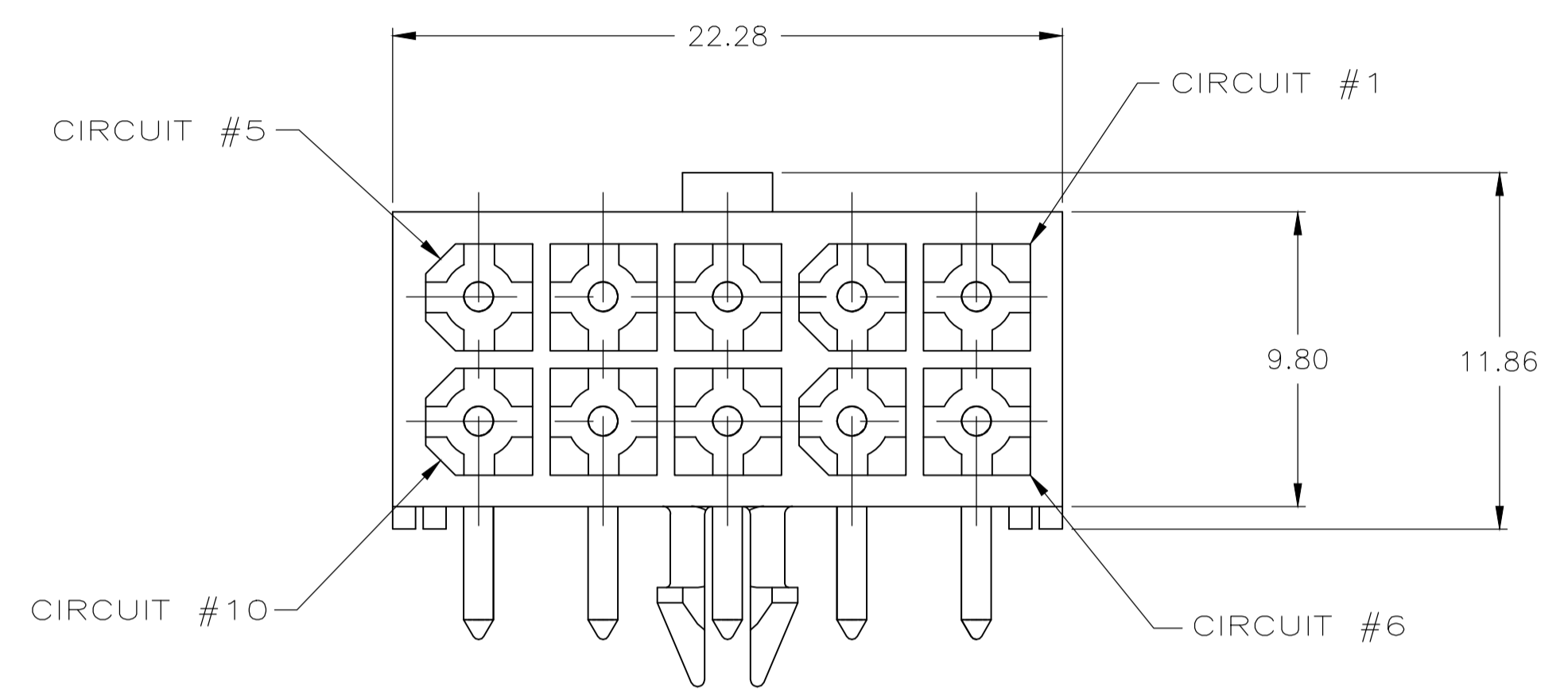
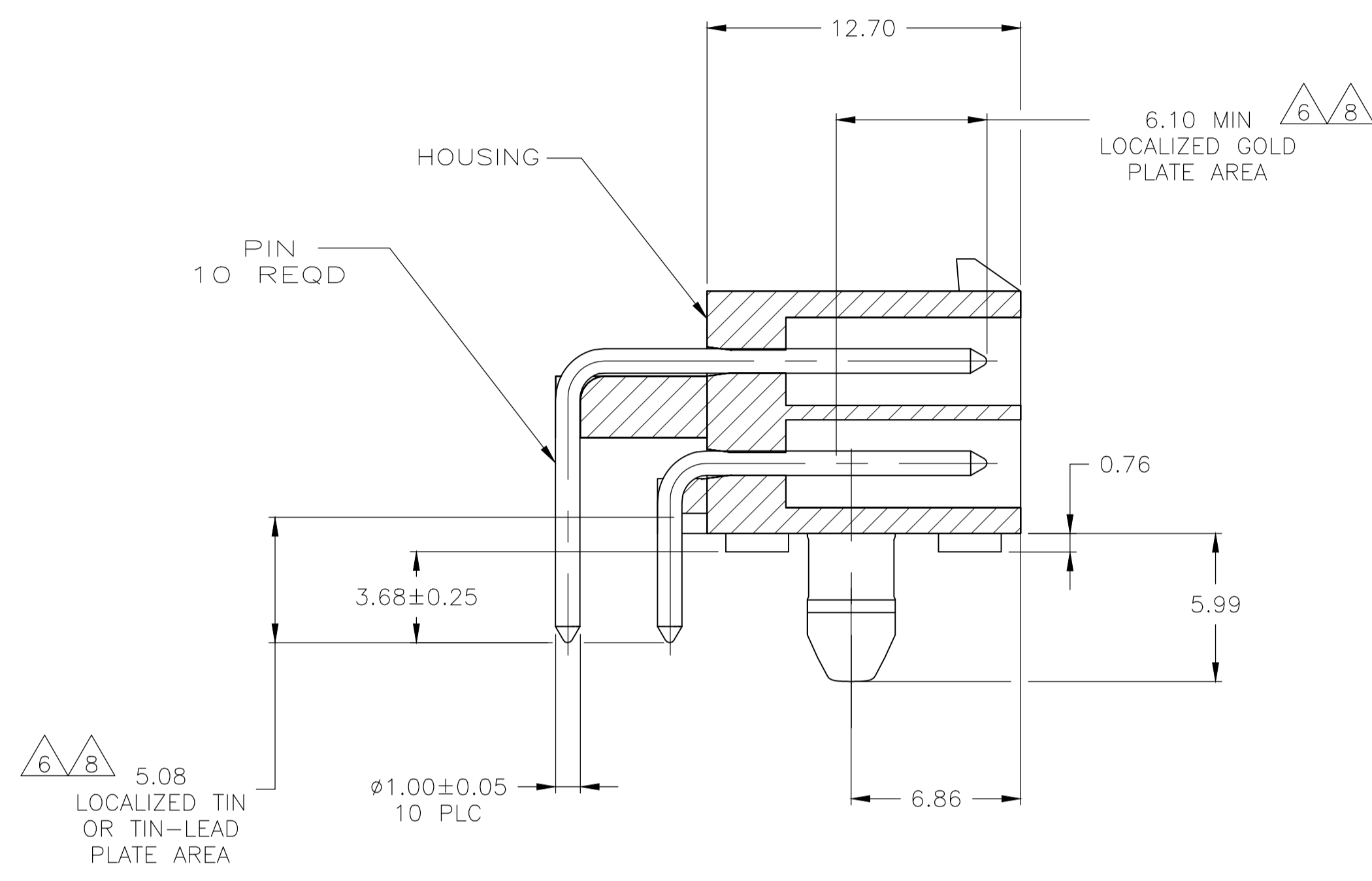


LOC		DIST		REVISIONS			
P	LTR	DESCRIPTION	DATE	DMN	APVD		
H1		REVISED PER ECR-18-005392	23JUL2015	BDA	SG		



RECOMMENDED MOUNTING HOLE PATTERN FOR 1.57 THICK P.C. BOARD

- PINS TO COMPLY WITH AMP SOLDERABILITY SPEC 109-11-3.
- MATES WITH PLUG P/N 770580-1.
- COORDINATE DIMENSION APPLIES FROM CENTER OF ACTUAL FEATURE.
- RECOMMENDED FOR EDGE MOUNTING.
- 0.00381 MIN MATTE TIN LEAD OVER 0.00127 MIN NICKEL ENTIRE LENGTH OF PIN.
- 0.00076 MIN GOLD PLATE IN THE LOCALIZED PLATE AREA, 0.00381 MIN MATTE TIN LEAD IN THE LOCALIZED PLATE AREA, BOTH OVER 0.00127 MIN NICKEL.
- 0.00381 MIN MATTE TIN OVER 0.00127 MIN NICKEL ENTIRE LENGTH OF PIN.
- 0.00076 MIN GOLD PLATE IN THE LOCALIZED GOLD PLATE AREA, 0.00381 MIN MATTE TIN IN THE LOCALIZED TIN PLATE AREA, BOTH OVER 0.00127 MIN NICKEL.

MM	IN	MM	IN
3.68	.145	22.28	.877
1.57	.062	12.70	.500
1.40	.055	9.80	.386
1.00	.039	8.28	.326
0.76	.030	7.34	.289
0.25	.010	6.86	.270
0.13	.005	6.10	.240
0.08	.003	5.99	.236
0.05	.002	5.33	.210
0.00381	0.000150	5.08	.200
0.00127	0.000050	4.14	.163
0.00076	0.00030	3.86	.152

CONVERSION TABLE

MATERIAL	FINISH	MATERIAL	COLOR	PART NO.
BRASS	8	NYLON, UL94V-0	WHITE	1-770971-1
BRASS	7	NYLON, UL94V-0	WHITE	1-770971-0
BRASS	6	NYLON, UL94V-0	WHITE	-770971-2-
BRASS	5	NYLON, UL94V-0	WHITE	-770971-1-

OBSOLETE

THIS DRAWING IS A CONTROLLED DOCUMENT.

DIMENSIONS: mm	TOLERANCES UNLESS OTHERWISE SPECIFIED:	DIN S. CARPENTER 24JUL03	APVD C. JONES 24JUL03
0 PLC ± -	1 PLC ± -	2 PLC ± -	3 PLC ± 0.13
4 PLC ± -	ANGLES ± -		

MATERIAL: SEE TABLE. FINISH: SEE TABLE. WEIGHT: -. SIZE: A1. SCALE: 5:1. SHEET: 1 OF 1. REV: H1.

CUSTOMER DRAWING

STE TE Connectivity
 NAME: HEADER ASSEMBLY, RIGHT ANGLE, WITH SHORT PEG, 10 CIRCUIT, MINI UNIVERSAL MATE-N-LOK(TM)
 DRAWING NO: 0077971-1