

4

3

2

1

THIS DRAWING IS UNPUBLISHED.

RELEASED FOR PUBLICATION

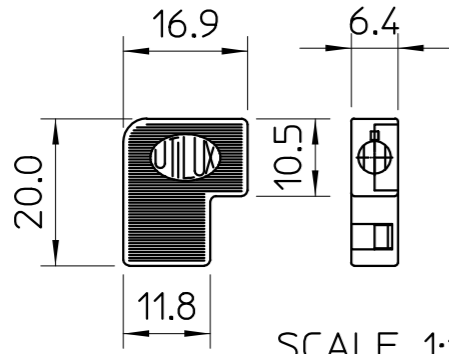
COPYRIGHT BY TYCO ELECTRONICS CORPORATION. ALL RIGHTS RESERVED.

LOC
U

DIST
-

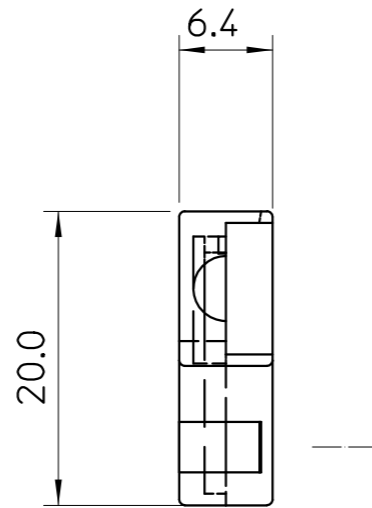
REVISIONS

P	LTR	DESCRIPTION	DATE	DWN	APVD
-	-		-	-	-



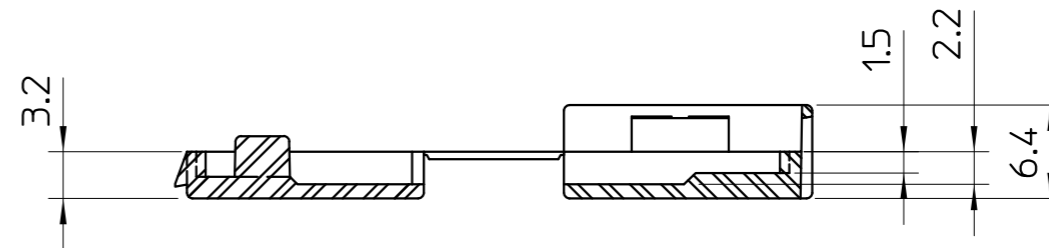
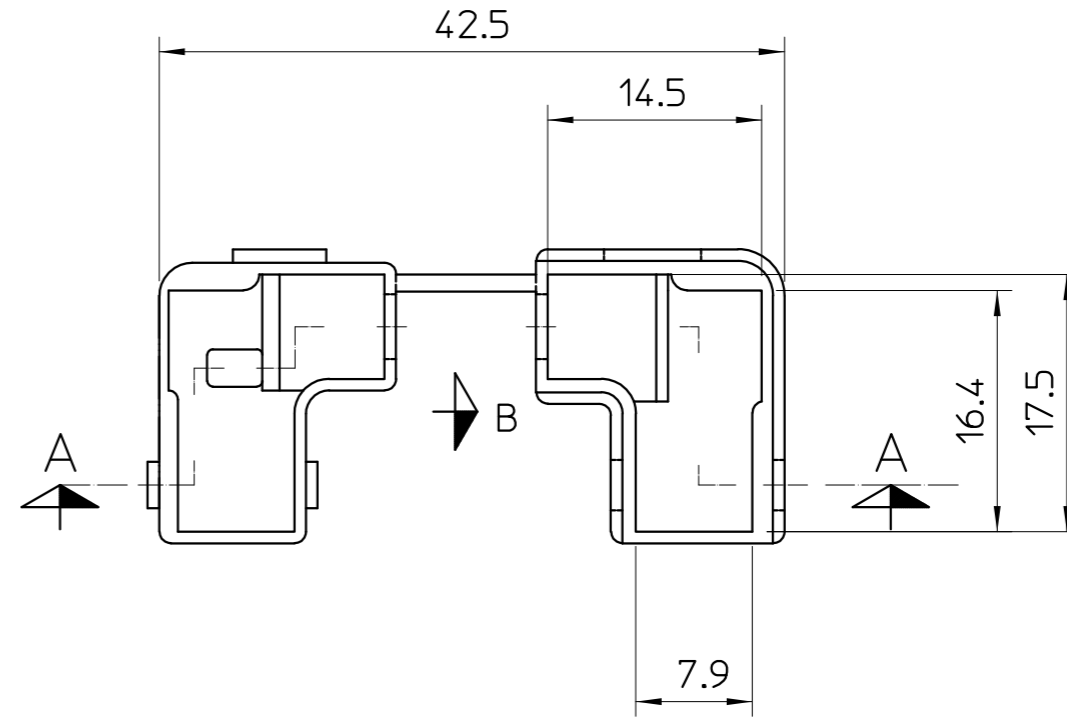
SCALE 1:1

SHOWN IN CLOSED POSITION



VIEW B

(SHOWN IN CLOSED POSITION)



SECTION AA

NOTES:

- INSULATOR TO BE USED WITH THE FOLLOWING RECEPTACLES:
 1-1627101-2 (UTILUX P/N H2592B)
 1-1627101-4 (UTILUX P/N H2592ET)

THIS INFORMATION IS CONFIDENTIAL AND PROPRIETARY TO TYCO ELECTRONICS CORPORATION AND ITS WORLDWIDE SUBSIDIARIES AND AFFILIATES. IT MAY NOT BE DISCLOSED TO ANYONE OTHER THAN TYCO ELECTRONICS PERSONNEL WITHOUT WRITTEN AUTHORIZATION FROM TYCO ELECTRONICS CORPORATION, HARRISBURG, PENNSYLVANIA, USA.

NYLON 66 30% GF - HEAT STABILIZED - BLACK		INSULATOR H2095	1-1627071-1
MATERIAL DESC.		DESCRIPTION	PART No.
THIS DRAWING IS A CONTROLLED DOCUMENT.		Tyco Electronics Corporation AUSTRALIA	NAME: INSULATOR, POST FIT
ALL DIMENSIONS IN mm: TOLERANCES UNLESS OTHERWISE SPECIFIED: DIMENSION (mm) TOLERANCE(+/-mm) LESS THAN 10 0.4 OVER 10 TO 30 0.5 OVER 30 TO 80 0.7 OVER 80 TO 250 1.0 ANGLES ±2°			
	MATERIAL	SIZE	CAGE CODE
	REF BLOCK	A3	
FINISH	WEIGHT:	DRAWING NO	RESTRICTED TO
REF BLOCK	-	©- 1627071	-
CUSTOMER DRAWING		SCALE	SHEET
		2:1 & 1:1	1 OF 1
		REV	0