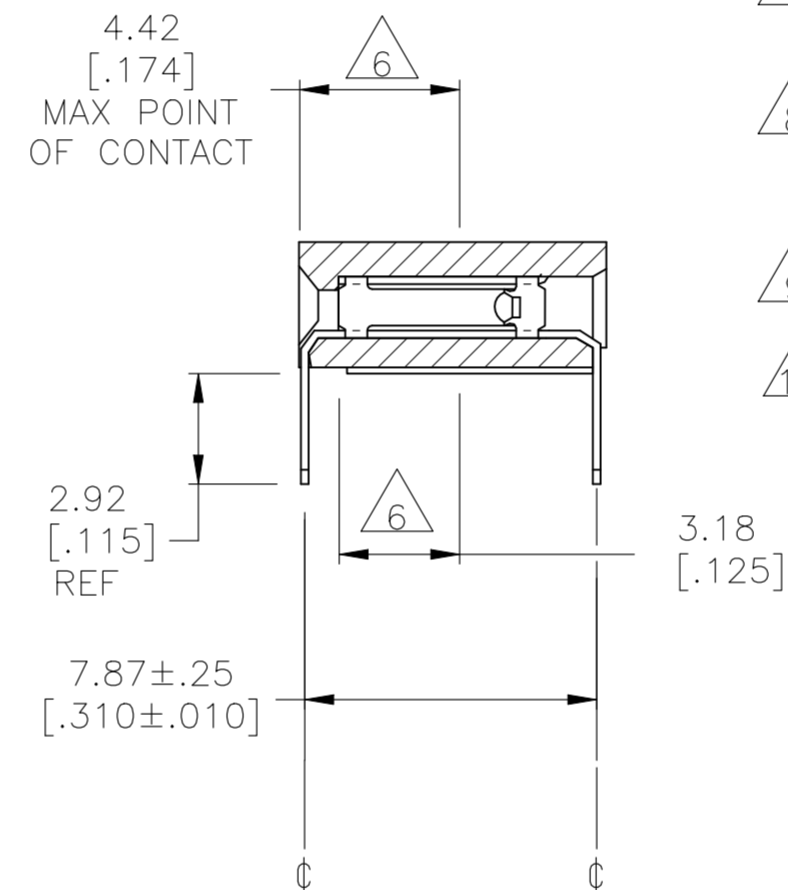
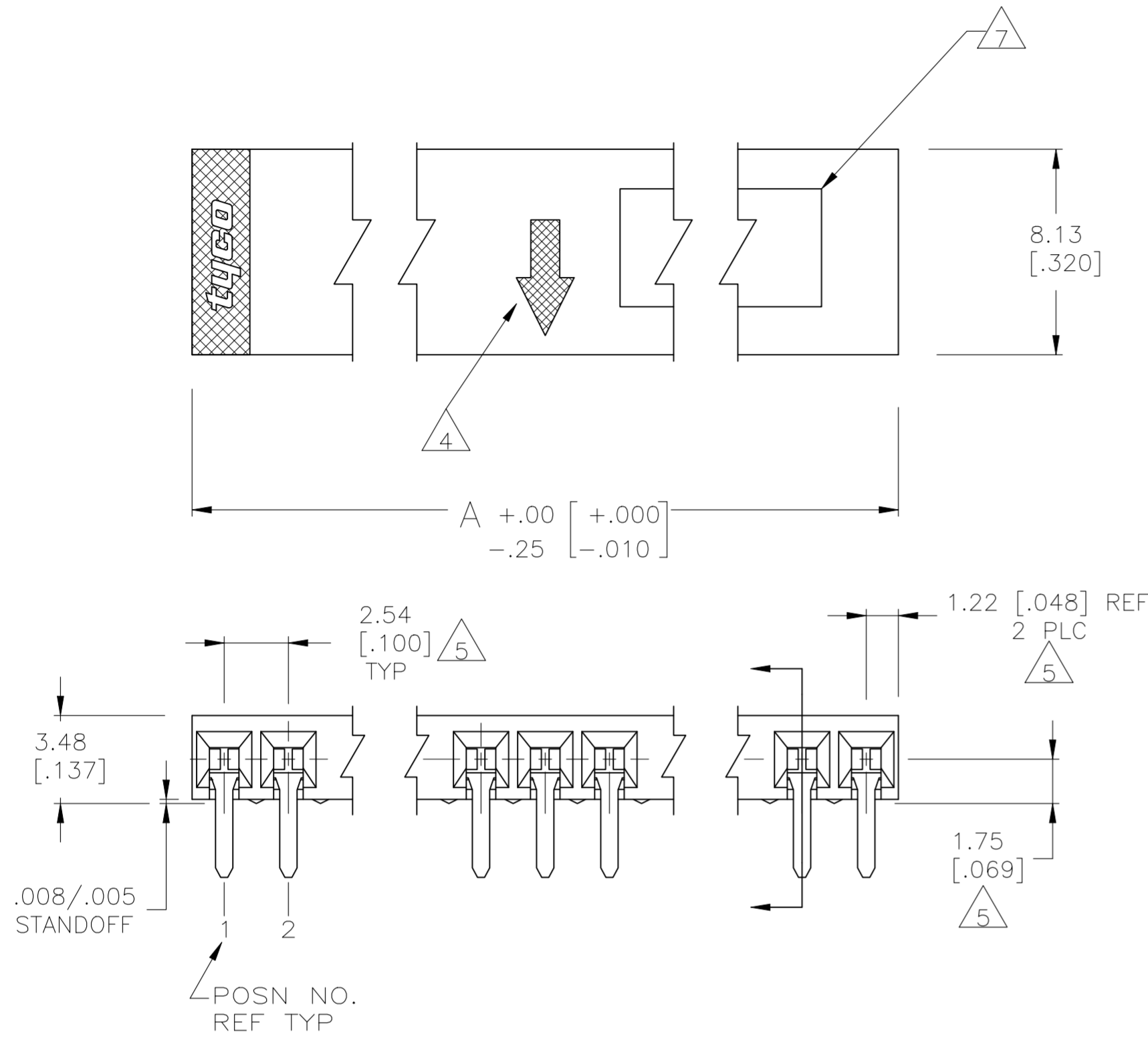
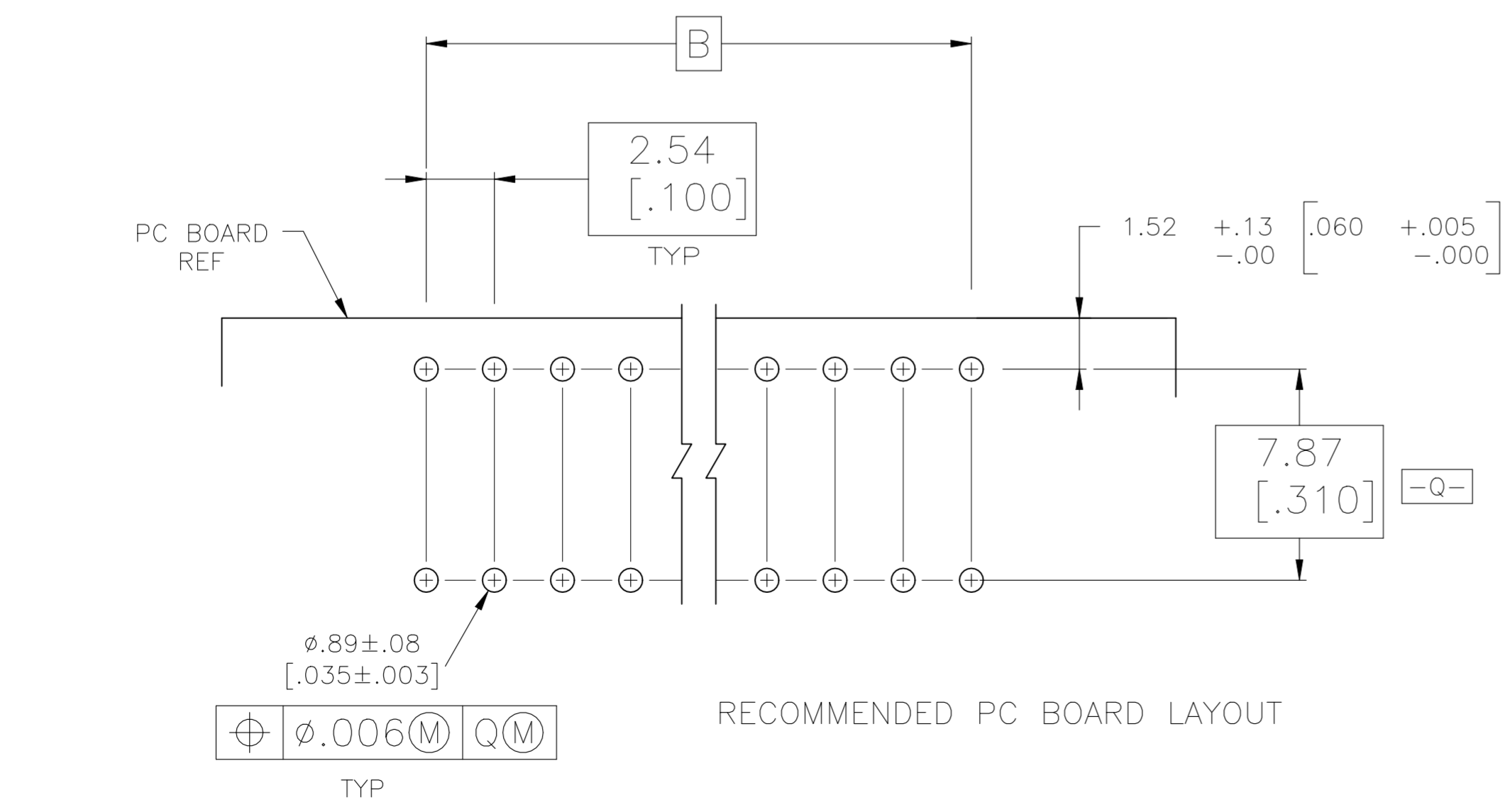


REVISIONS					
P	LTR	DESCRIPTION	DATE	DWN	APVD
D		RESIN SUPPLIER CHANGE FOR THE HOUSING	03DEC2021	SCB	KJK



- 1 HOUSING MATERIAL : GLASS FILLED, FLAME RETARDANT POLYESTER, COLOR-BLACK.
- 2 CONTACT MATERIAL: PHOSPHOR BRONZE.
- 3 CONTACT FINISH : DUPLEX PLATED 0.00076 [.000030] GOLD ON CONTACT AREA, .00381-.00762 [.000150-.000300] BRIGHT TIN-LEAD ON SOLDER TINES, ALL OVER 0.00127 [.000050] MIN. NICKEL.
- 4 MOLDED IN ARROW DESIGNATES THE MATING FACE OF THE CONNECTOR.
- 5 DIMENSIONS PERTAIN TO CAVITY CENTERLINES.
- 6 POINT OF MEASUREMENT FOR PLATING THICKNESS OF CONTACT AREA.
- 7 DATE CODE AND PART NUMBER MARKED IN APPROXIMATE LOCATION SHOWN.
- 8 CONTACT FINISH : DUPLEX PLATED 0.00076 [.000030] GOLD ON CONTACT AREA, .00381-.00762 [.000150-.000300] MATTE TIN ON SOLDER LEADS, ALL OVER 1.27 [.000050] MIN. NICKEL.
- 9 ROHS 2002 /95/EC COMPLIANT
- 10 OBSOLETE PARTS: OBSOLETE CIS STREAMLINING PER D.RENAUD/D.SINISI



10	8	2, 6, 7, 9 THRU 14	35.56 [1.400]	38.10 [1.500]	15	9	5-146769-2
	8	2 THRU 7, 9 THRU 14	35.56 [1.400]	38.10 [1.500]	15	9	5-146769-1
10	3	2, 6, 7, 9 THRU 14	35.56 [1.400]	38.10 [1.500]	15		146769-2
	3	2 THRU 7, 9 THRU 14	35.56 [1.400]	38.10 [1.500]	15		146769-1
	FINISH	POSN NUMBERS OMITTED	B	A	NO OF POSN		PART NUMBER

THIS DRAWING IS A CONTROLLED DOCUMENT.

DIMENSIONS: mm [INCHES]	TOLERANCES UNLESS OTHERWISE SPECIFIED: 0 PLC ± - 1 PLC ± - 2 PLC ± - 3 PLC ± - 4 PLC ± - ANGLES ± -	DWN E. BRANDBERG 30-AUG-96	CHK B. STAUCH 30-AUG-96	APVD B. STAUCH 30-AUG-96	NAME AMPMODU MOD II, RECTPT ASSY, HORIZONTAL, 2.54[.100] CL, 1 ROW, CLOSED ENTRY, SPOC, 0.00076 [.000030] GOLD DUPLEX, END STACK
MATERIAL 1 2	FINISH 3 8	WEIGHT -	SIZE A2	CAGE CODE 00779	DRAWING NO C=146769

CUSTOMER DRAWING SCALE 5:1 SHEET 1 of 1 REV D