

4

3

2

1

THIS DRAWING IS UNPUBLISHED.

RELEASED FOR PUBLICATION

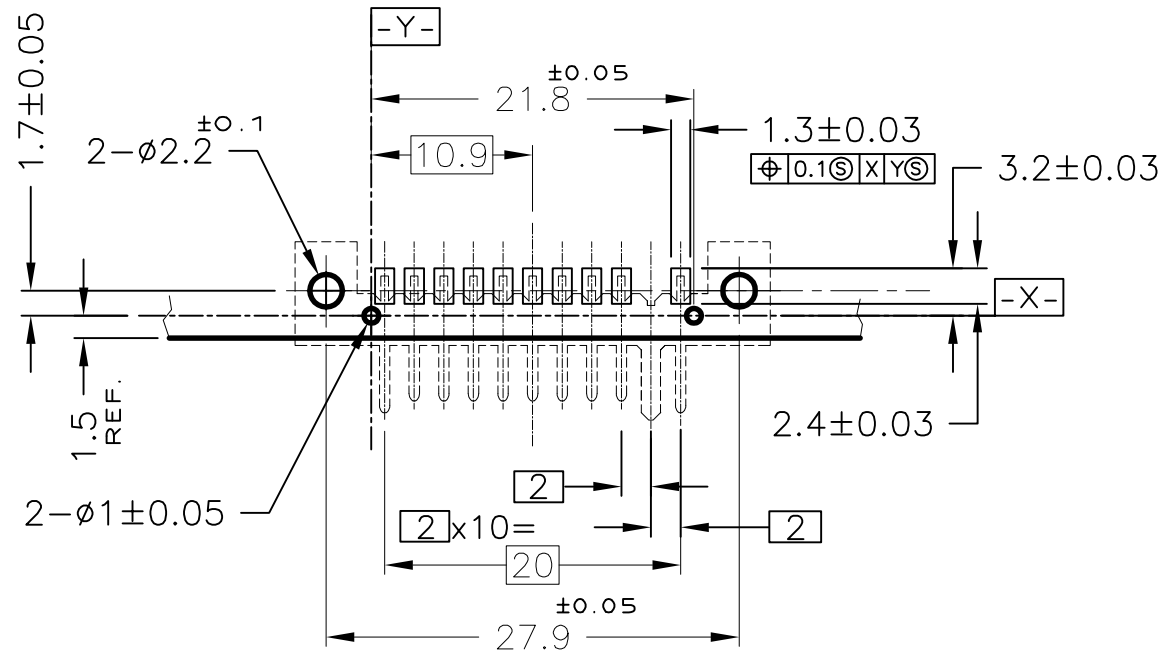
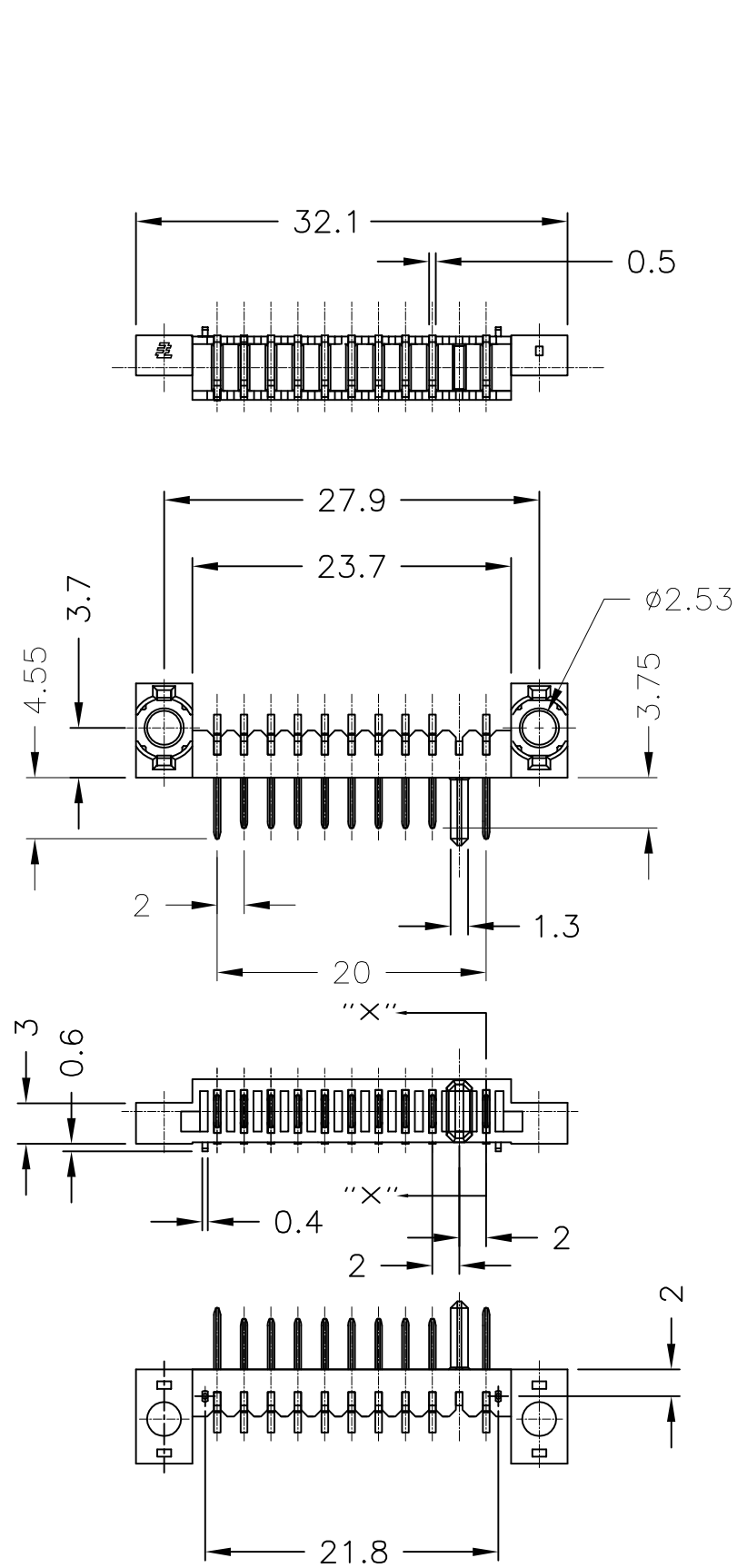
© COPYRIGHT BY TYCO ELECTRONICS CORPORATION. ALL RIGHTS RESERVED.

LOC ES DIST -

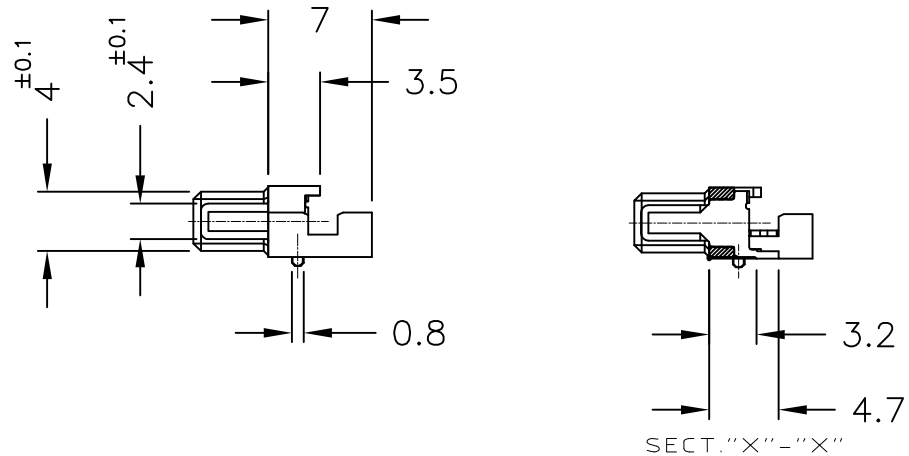
REVISIONS

P	LTR	DESCRIPTION	DATE	DWN	APVD
B		REVISED PER ECR-10-011717	30MAY2010	S.W	S.Y

1717840-1 : AS SHOWN



REFERENCE P.C.BOARD LAYOUT
P.C.BOARD THK 0.8~1.2
(VIEW FROM CONNECTOR MOUNTING SIDE)



△ MATERIAL HOUSING : THERMOPLASTIC RESIN, UL94V-0
COLOR ; BLACK
CONTACT : COPPER ALLOY

△ FINISH CONTACT : Ni ALL OVER UNDER PL
GOLD PL. (0.3μm MIN.) AT CONTACT AREA
Au FLASH PL. AT LEAD AREA

WITH NUT PLATE	1717840-2
WITHOUT NUT PLATE	1717840-1
DESCRIPTION	P/N

THIS DRAWING IS A CONTROLLED DOCUMENT.		DWN T.KATANO 24SEP03	Tyco Electronics Shanghai, P.R.China, 200233	
DIMENSIONS: MM		CHK T.KIMURA 24SEP03	NAME	
TOLERANCES UNLESS OTHERWISE SPECIFIED:		APVD K.IKEGAMI 24SEP03	PRODUCT SPEC	
0-PLG ± 0.3		108-5850		
1-PLG ±		APPLICATION SPEC		
2-PLG ±		SIZE A3		
3-PLG ±		CAGE CODE 00779		
4-PLG ±		DRAWING NO C=1717840		
ANGLES ± 3'		RESTRICTED TO		
FINISH		WEIGHT		
△ 1		CUSTOMER DRAWING		
△ 2		SCALE 2:1		
		SHEET 1 OF 2		
		REV B		

4

3

2

1

THIS DRAWING IS UNPUBLISHED.

RELEASED FOR PUBLICATION

© COPYRIGHT BY TYCO ELECTRONICS CORPORATION.

ALL RIGHTS RESERVED.

LOC
ESDIST
-

REVISIONS

P	LTR	DESCRIPTION	DATE	DWN	APVD
-	-	SEE SHEET 1	-	-	-

1717840-2 : AS SHOWN

32.1

0.5

4.55

3.7

23.7

3.75

2

1.3

20

"X"

3

0.6

0.4

2

2

2

21.8

NUT PLATE
M2
TYP.(2)

±0.1

4

±0.1

2.4

7

3.5

0.8

3.2

4.7

SECT."X"-"X"

△ MATERIAL HOUSING : THERMOPLASTIC RESIN, UL94V-0
COLOR ; BLACK
CONTACT : COPPER ALLOY
NUT PLATE : STAINLESS STEEL

△ FINISH CONTACT : Ni ALL OVER UNDER PL
GOLD PL. (0.3μm MIN.) AT CONTACT AREA
Au FLASH PL. AT LEAD AREA

THIS DRAWING IS A CONTROLLED DOCUMENT.

DWN
T.KATANO 24SEP03CHK
T.KIMURA 24SEP03APVD
K.IKEGAMI 24SEP03

PRODUCT SPEC

108-5850

APPLICATION SPEC

WEIGHT

CUSTOMER DRAWING

Tyco Electronics
Shanghai, P.R.China, 200233

NAME

PLUG ASSEMBLY
2mm PITCH BATTERY CONNECTOR

SIZE CAGE CODE DRAWING NO RESTRICTED TO

A3 00779 C=1717840 -

SCALE 2:1 SHEET 2 OF 2 REV B

DIMENSIONS:
MM

TOLERANCES UNLESS
OTHERWISE SPECIFIED:

0-PLG ± 0.3

1-PLG ±

2-PLG ±

3-PLG ±

4-PLG ±

ANGLES ± 3'

MATERIAL

△ 1

FINISH

△ 2

AMP 1470-19 REV 31MAR2000

06DEC2002 4:01pm FJ033501