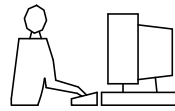
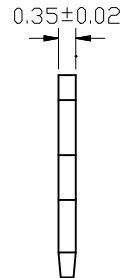
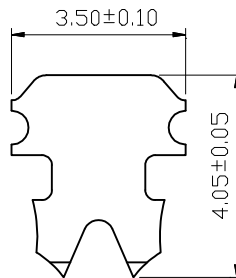
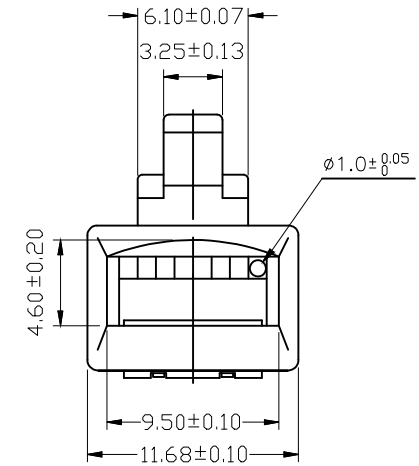
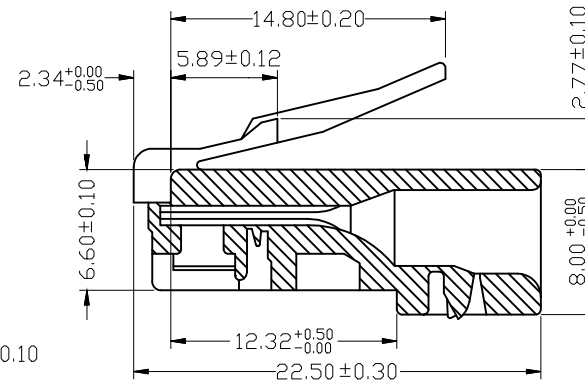
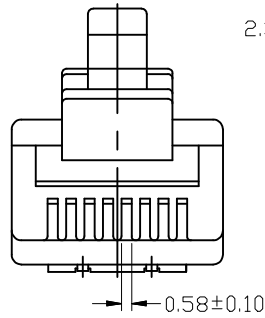
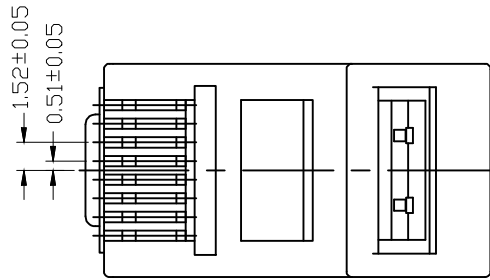


THIS IS A C.A.D. GENERATED DRAWING
DO NOT MAKE MANUAL REVISIONS TO MASTER.



* UNLESS OTHERWISE SPECIFIED TOLERANCES
ON DECIMAL IS:
UNIT: MM



MATERIAL :

1. Housing Material: Polycarbonate(PC) UL 94V-2.
2. Contact Type: 2 prongs for STRANDED wire.
3. Gold Plating: 50u" ($\cong 1.27\mu\text{m}$).
4. Contact Material: Phosphor Bronze.

Remark: Available for 24 or 26 AWG wire.

ORDERING INFORMATION

SIZE	P/N - BULK	PRODUCT CODE
8P8C	6510-0104-01	MHRJ458P8CR

THESE DRAWINGS AND SPECIFICATIONS ARE THE PROPERTY OF MH CONNECTORS LTD. AND SHALL NOT BE REPRODUCED, COPIED OR USED AS THE BASIS FOR THE MANUFACTURE OR SALE OF APPARATUS WITHOUT WRITTEN PERMISSION.

DRAWN	DATE
HALEY	01-21-14

APPROVED	DATE
DAMIEN	01-22-14

SCALE	SHEET OF	REV:
	1 OF 1	4.0

DRAWING No
MHRJ458P8CR



THIS SERIES FULLY CONFORMS TO THE EUROPEAN UNION DIRECTIVES 2002/95/EC AND 2002/96/EC FOR RoHS COMPLIANCY.



MH CONNECTORS LTD.