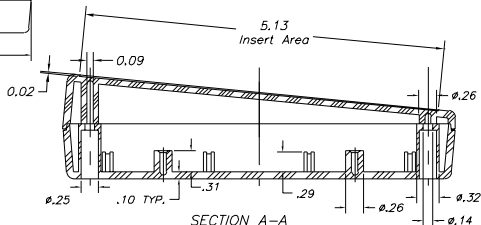
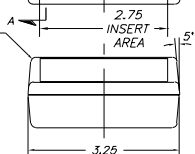
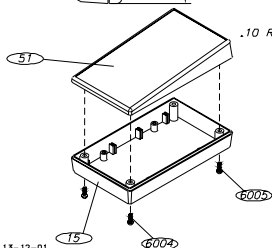
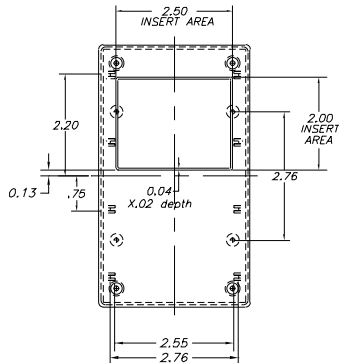
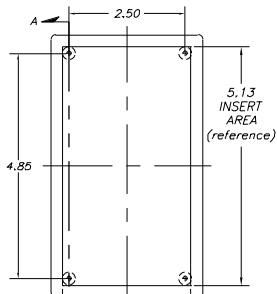
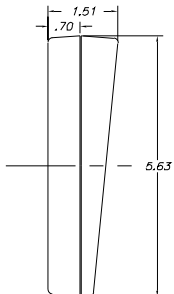


SERPAC 15-S

Electronics Enclosures

NOTES:
1. WHEN MACHINE OR I PLATES MODIFICATIONS ARE REQUIRED, USE THE CENTER OF THE ENCLOSURE TO DIMENSION.



13-12-01.

ALL DIMENSIONS ± .010

PART NO.	DESCRIPTION	ACCESSORIES
51	PLASTIC TOP	
15	PLASTIC BOTTOM	
6004	SCREWS (2)	50 FEET
6005	SCREWS (2)	360 PROTOTYPE GRID BOARD (HORIZ.)
		460 PROTOTYPE CLAD BOARD (HORIZ.)
		351 PROTOTYPE GRID BOARD (VERT.)
		451 PROTOTYPE CLAD BOARD (VERT.)
		PC PDKET CLIP