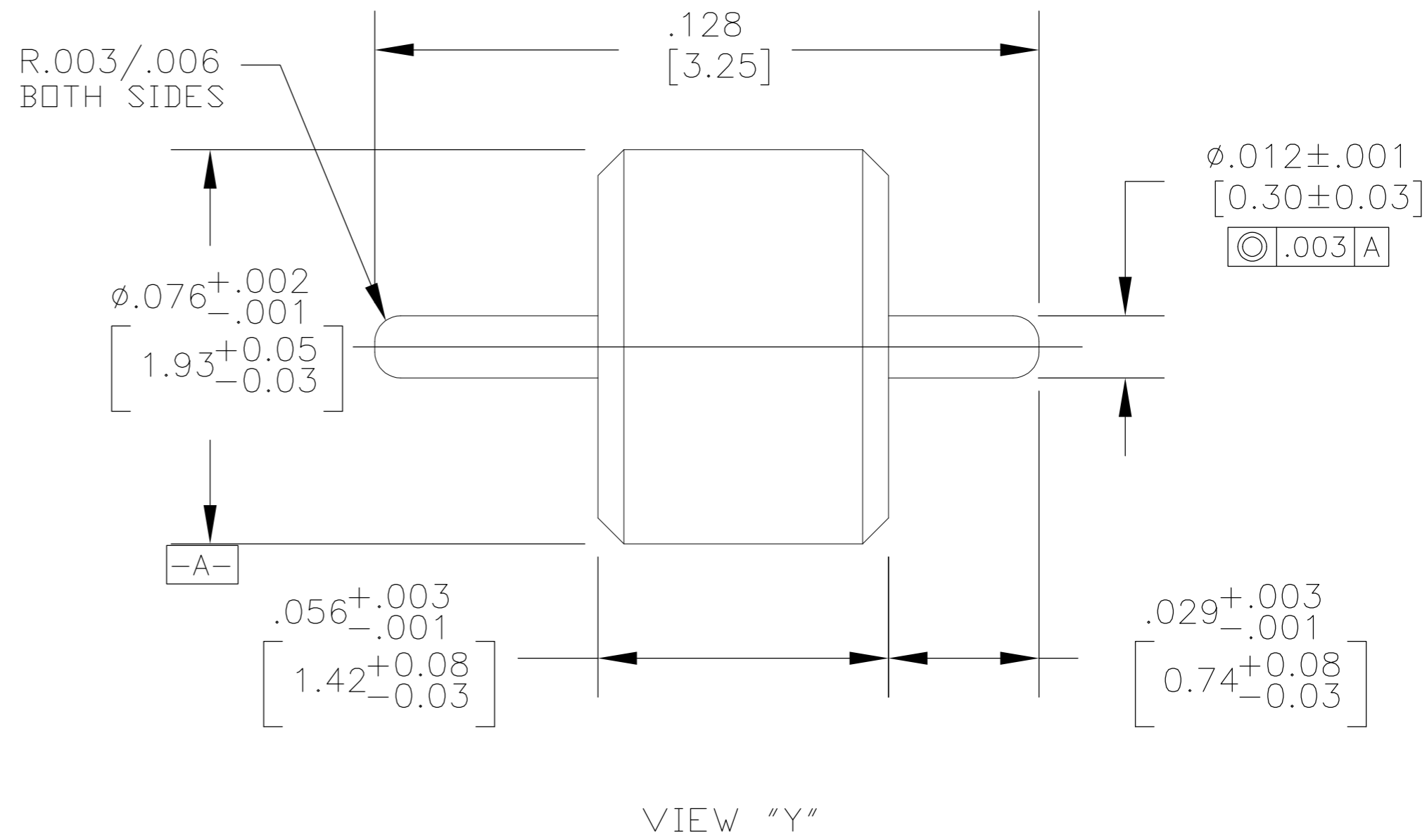
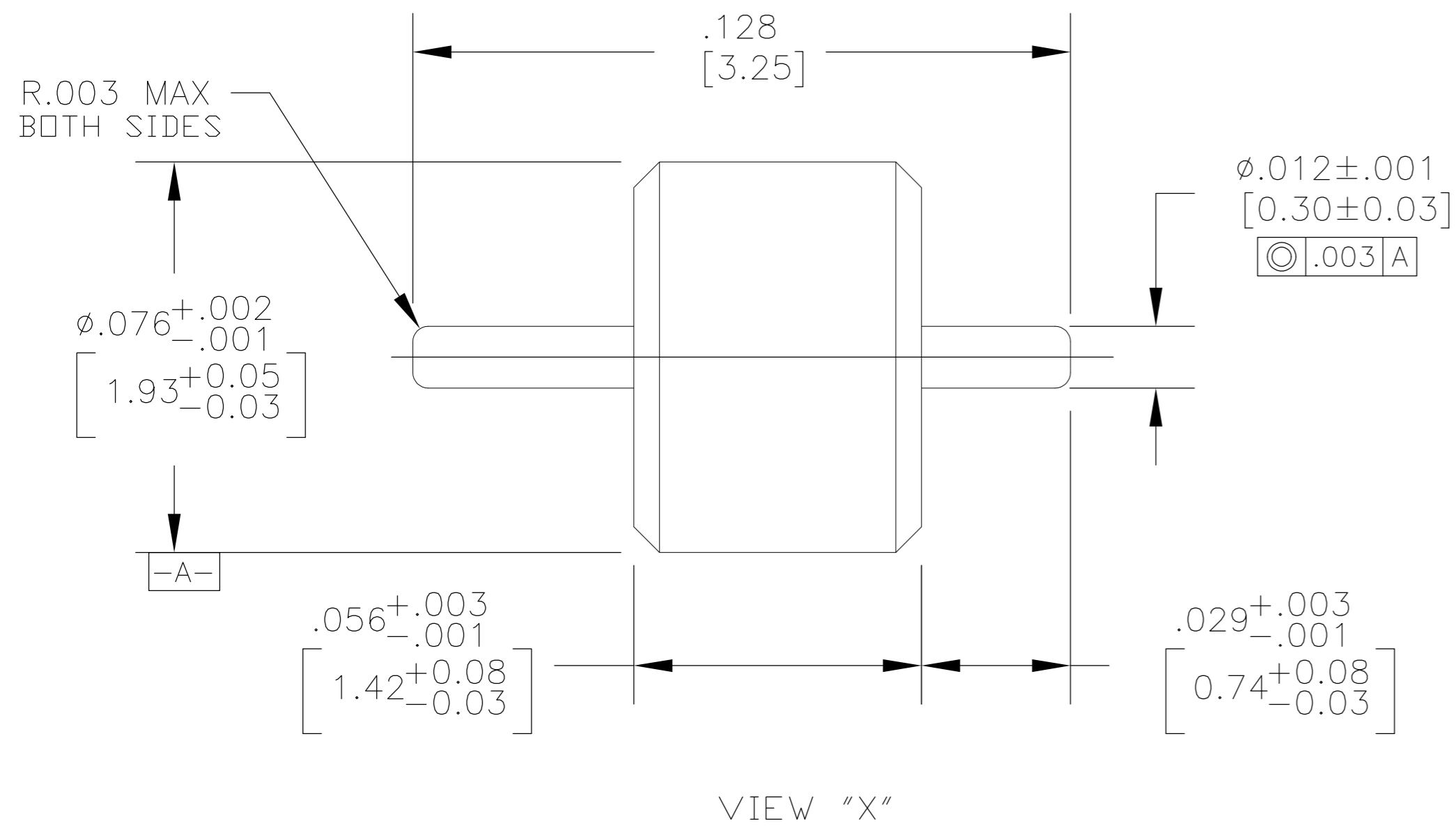


THIS DRAWING IS UNPUBLISHED. RELEASED FOR PUBLICATION
 © COPYRIGHT - By - ALL RIGHTS RESERVED.

LOC		DIST		REVISIONS					
AJ		00		P	LTR	DESCRIPTION	DATE	DWN	APVD
				C		REV PER ECO-13-014964	25SEP2013	AM	MY



CONTACT EXT. BUSHING	IRON NICKEL-COBALT ALLOY PER MIL-I-23011 CLASS 1 (KOVAR)	GOLD PLATE PER MIL-G-45204 OVER COPPER PLATE PER MIL-C-14550
HERMETIC SEAL	GLASS BEAD	NA
COMPONENT	MATERIAL	FINISH

"Y"	1063404-2
"X"	1063404-1
VIEW	TE PN.

THIS DRAWING IS A CONTROLLED DOCUMENT.		DWN ANSON MA 25SEP2013	STE TE Connectivity	
DIMENSIONS: INCHES		CHK -		
TOLERANCES UNLESS OTHERWISE SPECIFIED:		APVD MARTIN YE 25SEP2013	NAME 2.4 mm, 2.9 mm, HERMETIC SEAL (8598-0294-00)	
0 PLC ± -		PRODUCT SPEC -	SIZE CAGE CODE DRAWING NO RESTRICTED TO	
1 PLC ± -		APPLICATION SPEC -	A2 00779 C=1063404 -	
2 PLC ± -		WEIGHT -	SCALE 10:1 SHEET 1 of 1 REV C	
3 PLC ± .005		CUSTOMER DRAWING		
4 PLC ± -				
ANGLES ± 1°				
FINISH -				