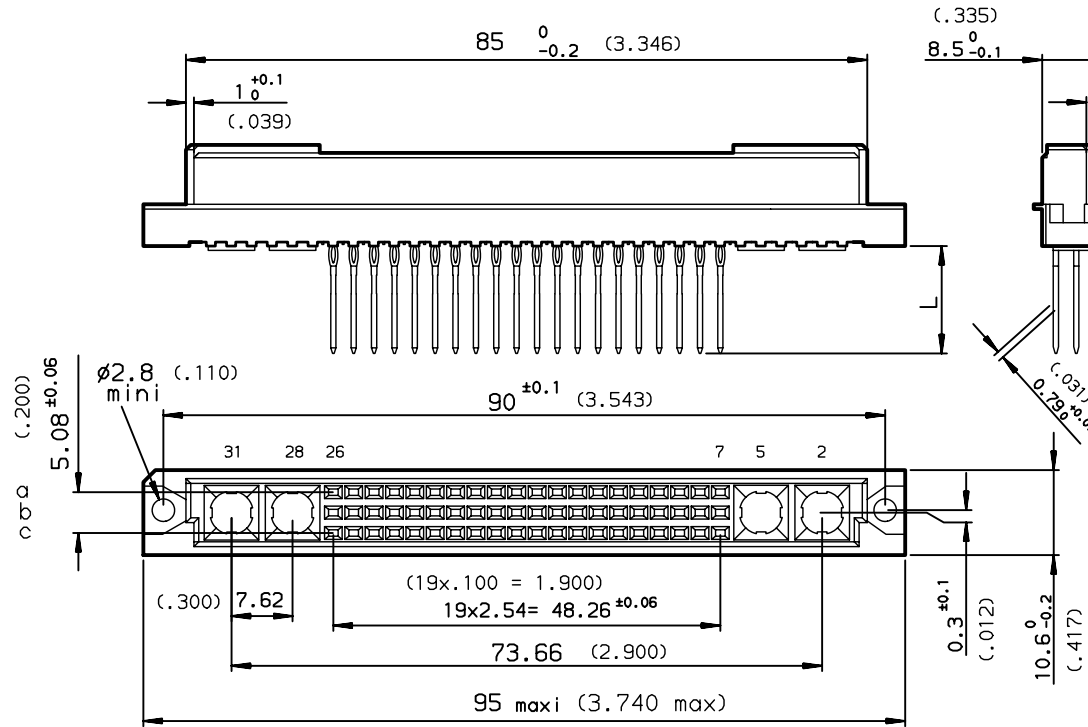
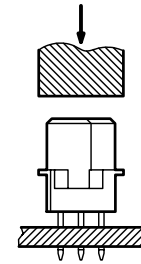


DIMENSIONS mm (inches)



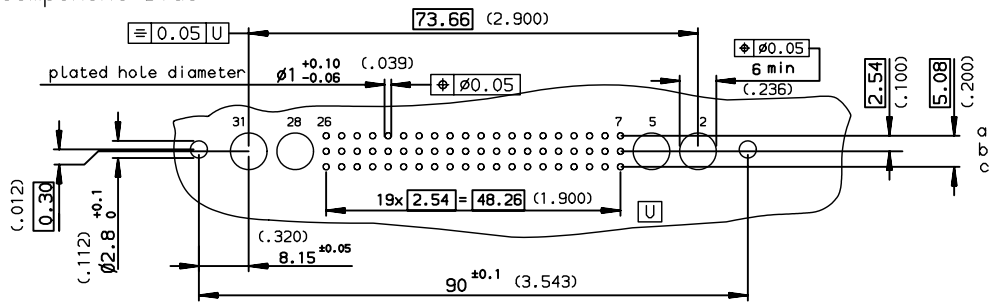
METHOD OF INSERTION
ON THE PCB = FLAT ROCK



| | | | | |
|-------------------------|------|-----|------------|-------|
| PART NUMBER | 8609 | D1 | 7 | 5 |
| PIN OUT | | | | |
| rows a-b-c | --- | --- | 3 | 60 |
| rows a-c | --- | --- | 4 | 40 |
| NUMBER OF CONTACTS | | | | |
| TERMINATION | | | | |
| L = 13.10 ±0.20 (C.515) | --- | --- | 1 wrap | 91 |
| L = 17.10 ±0.20 (C.673) | --- | --- | 2 wraps | 92 |
| L = 3.00 ±0.20 (C.118) | --- | --- | short post | 94 |
| PERFORMANCE CLASS | | | | |
| DIN 41612 class 3 | --- | --- | --- | 4 |
| DIN 41612 class 2 | --- | --- | --- | 5 |
| DIN 41612 class 1 | --- | --- | --- | 6 |
| TERMINATION TYPE | | | | |
| TIN LEAD | --- | --- | --- | 000E3 |
| LEAD FREE | --- | --- | --- | E3LF |

PCB DRILLING
component side

PERFORMANCES AS PER DIN 41612



GENERAL CHARACTERISTICS AND ROHS INFORMATIONS:

SEE DRAWING C-8609-0000C

European Views

| | | | |
|-------------------------|----------------------------|-----------------------------------|------------------|
| www.fciconnect.com | surface ISO 1302 | tolerance std ISO 406 ISO 1101 | projection mm |
| | ANGULAR | LINEAR | size A3 |
| Dr ROUILLARD 1997/01/27 | 0.X | ±0.1 | Scale 1.5 |
| Eng TARON 1997/01/27 | 0.XX | ±0.1 | ECN LS06-0095 |
| Chr LEGARE 1997/01/27 | 0.XX' ±2' | ±0.1 | Spec ref - |
| Appr LEGARE 1997/01/27 | Product family DIN 8609 | | |

| rev | ecn no | dr | date |
|-----|-----------|-----|------------|
| B | - | ROU | 1997/11/05 |
| C | LS05-004 | JTA | 2005/02/28 |
| D | LS06-0095 | LGO | 2006/07/12 |
| - | - | - | - |
| - | - | - | - |
| - | - | - | - |
| - | - | - | - |

FCI title STRAIGHT FEMALE - STYLE M
PRESS FIT
catalog no -
dwg no C-8609-0556
Rev. D
CUSTOMER sheet 1 of 1

Copyright FCI.