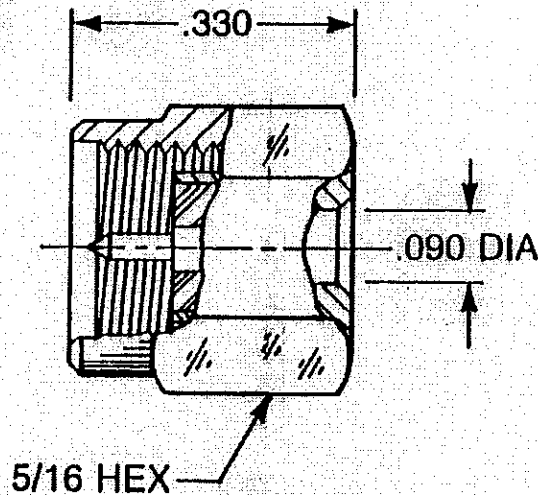


PROPRIETARY INFORMATION
 NOT TO BE RELEASED
 WITHOUT WRITTEN PERMISSION
 FROM AN AUTHORIZED
 REPRESENTATIVE OF
 APPLIED ENGINEERING PRODUCTS.

REVISIONS			
LTR	DESCRIPTION	DATE	APPROVED



NOTES: CONFORMS TO MIL-C-39012 SMA SERIES

MATERIAL:

1. BODY & COUPLING NUT = STAINLESS STEEL, TYPE 303, COND. A PER ASTM A582.
2. CONTACT & SNAP RING = BERYLLIUM COPPER PER ASTM B196.
3. INSULATOR = VIRGIN WHITE TEFLON PER ASTM D1710.
4. GASKET = SILICON RUBBER PER ZZ-R-765 CLASS 2B, GRADE 65.

FINISHES:

1. BODY = GOLD PLATE PER MIL-G-45204 TYPE II, CLASS 0, GRADE C OVER STRESS FREE NICKEL PER QQ-N-290.
2. COUPLING NUT = PASSIVATE PER QQ-P-35, TYPE VI.
3. CONTACT = GOLD PLATE PER MIL-G-45204 TYPE II, CLASS I, GRADE C OVER STRESS FREE NICKEL PER QQ-N-290.

UNLESS OTHERWISE SPECIFIED DIMENSIONS ARE IN INCHES TOLERANCES ON FRAC. 1/64 DECIMAL ± .005 ANGLES ± 2°	DRAWN D.N. 5-24-94	DATE 5-24-94		APPLIED ENGINEERING PRODUCTS 104 John W. Murphy Drive, P.O. Box 510 New Haven, CT 06513	
	CHECKED VPS	DATE 5-24-94	SMA STRAIGHT PLUG DIRECT SOLDER FOR .085 SEMI-RIGID CABLE WITH SEPARATE CENTER CONTACT		
MATERIAL: SEE NOTES	APPROVED <i>[Signature]</i>	DATE 5/24/94	SIZE A	CODE IDENT NO. 19505	9401-1083-210
	FINISH: SEE NOTES	SCALE NONE		SHEET 1 OF 1	

Design Products Co. Clearprint #1000H