

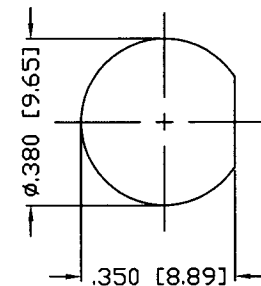
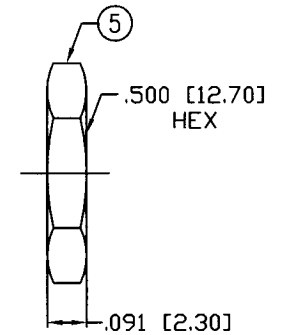
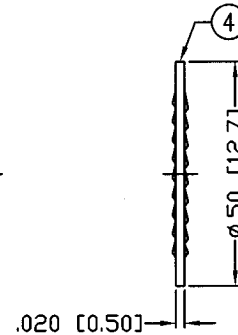
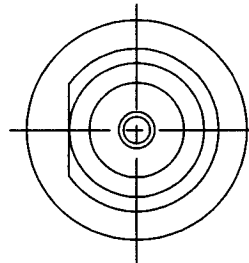
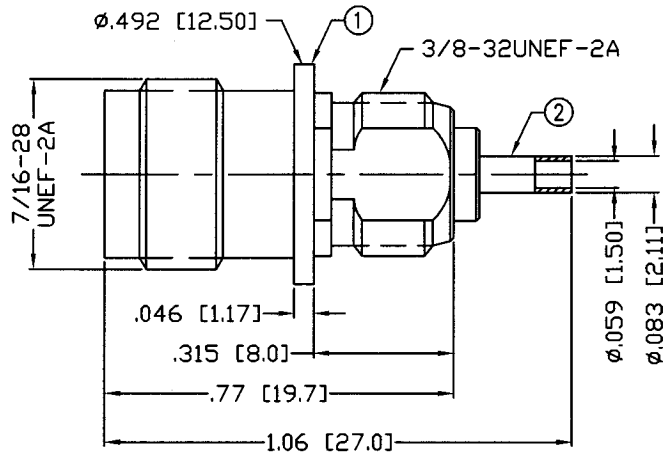
THIS DRAWING CONTAINS INFORMATION PROPRIETARY TO RF INDUSTRIES,  
 ANY UNAUTHORIZED USE OF THIS DRAWING IS EXPRESSLY PROHIBITED  
 WITHOUT WRITTEN PERMISSION FROM RF INDUSTRIES.  
 ANY VIOLATION IS PUNISHABLE UNDER U.S. COPYRIGHT LAWS.

ALL DIMENSIONS ARE REFERENCE ONLY

PART NO.

**RP-1211-1**

REV	DESCRIPTION	DWN	DATE	APPROVED
-	ENGINEERING RELEASE	CZS	3/16/98	JDMc



**SPECIFICATIONS:**

IMPEDANCE: 50 Ohms  
 FREQUENCY RANGE: 0-7 GHz  
 WORKING VOLTAGE: 500 Vrms  
 INSULATION RESISTANCE: 5k M ohms min.  
 TEMPERATURE RANGE: -65°C TO +165°C

1	BODY	1	BRASS	NICKEL, 70μ"
2	PIN	1	BRASS	GOLD, 3μ"
3	INSULATOR	1	PTFE	---
4	LOCK WASHER	1	IRON	NICKEL, 70μ"
5	HEX NUT	1	BRASS	NICKEL, 70μ"
6				
7				
8				
9				
10				
11				
12				
13				
14				

007777	
DRAWN C. ZUNIGA	4/15/02
CHECKED <i>[Signature]</i>	4-15-02
ORJ DRAWN C. ZUNIGA	4/15/02

UNLESS OTHERWISE SPECIFIED:  
 1. REMOVE ALL BURRS  
 2. BREAK ALL CORNERS & EDGES .005 R. MAX.  
 3. CHAMFER 1ST & LAST THREADS 45°  
 4. SURFACE ROUGHNESS 63 FINISH MIL-STD-10  
 5. DIAMETERS ON COMMON CENTERS TO BE CONCENTRIC WITHIN .002 T.I.R.  
 6. ALL DIMENSIONS ARE AFTER PLATING.

DIMENSIONS ARE IN INCHES AND [MILLIMETERS]  
 UNLESS OTHERWISE NOTED TOLERANCES ARE:

DECIMALS	DIAMETER
.XXX±.003 [.08]	.XXX±.001 [.03]
.XX±.005 [.13]	.XX±.003 [.08]

7610 MIRAMAR RD  
 SAN DIEGO, CA 92126  
 (858) 549-6340  
 (858) 549-6345 FAX

**RF connectors**  
 DIVISION OF RF INDUSTRIES, LTD.

## TNC JACK

REVERSE POLARITY, BULKHEAD, FRONT MOUNT

SIZE	CABLE GROUP	DWG NO.	REV
A	N/A	RP-1211-1	-

SCALE: NTS      CAD FILE      OUTLINE      SHEET 1 OF 1