

# Single-phase Overcurrent/Undercurrent Relay

## K8AK-AW

### Ideal for Current Monitoring for Industrial Facilities and Equipment.



- Monitor for overcurrents and undercurrents simultaneously. Separate settings and outputs supported for overcurrents and undercurrents.
- Use commercially available CTs (CT current on secondary side: 0 to 1 A or 0 to 5 A).
- Manual resetting and automatically resetting supported by one Relay.
- Startup lock and operating time can be set separately.
- Two sets of SPDT output contacts, 5 A at 250 VAC (resistive load).
- Output status can be monitored using LED indicator.
- Inputs are isolated from the power supply.



For the most recent information on models that have been certified for safety standards, refer to your OMRON website.

Refer to *Safety Precautions* on page 12.  
Refer to page 11 for commonly asked questions.

### Ordering Information

#### List of Models

| Setting range  | Power supply voltage | Model                       |
|--|----------------------|-----------------------------|
| 2 to 20 mA AC/DC<br>10 to 100 mA AC/DC<br>50 to 500 mA AC/DC | 24 VAC/DC            | <b>K8AK-AW1 24 VAC/DC</b>   |
|  | 100 to 240 VAC       | <b>K8AK-AW1 100-240 VAC</b> |
| 0.1 to 1 A AC/DC<br>0.5 to 5 A AC/DC                         | 24 VAC/DC            | <b>K8AK-AW2 24 VAC/DC</b>   |
|  | 100 to 240 VAC       | <b>K8AK-AW2 100-240 VAC</b> |
| 10 to 100 A AC*<br>20 to 200 A AC*                           | 24 VAC/DC            | <b>K8AK-AW3 24 VAC/DC</b>   |
|  | 100 to 240 VAC       | <b>K8AK-AW3 100-240 VAC</b> |

\* The K8AK-AW3 is designed to be used in combination with an OMRON K8AC-CT200L Current Transformer (CT). (Direct input is not possible.)

#### Accessory (Order Separately)

##### ●OMRON CT

| Appearance | Input range                       | Applicable Relay | Model              |
|------------|-----------------------------------|------------------|--------------------|
|            | 10 to 100 A AC,<br>20 to 200 A AC | K8AK-AW3         | <b>K8AC-CT200L</b> |

##### ●Commercially Available CTs\*

| Appearance | CT current on secondary side | Applicable Relay |
|------------|------------------------------|------------------|
|            | 0 to 1 A AC,<br>0 to 5 A AC  | K8AK-AW2         |

\* If you use a commercially available CT, do not exceed the overload capacity of the K8AK-AW2.

# K8AK-AW

## Ratings and Specifications

### Input Range

| Model    | Range <sup>*1</sup> | Connection terminals | Setting range  | Input impedance                  | Input type                                | Overload capacity   |
|----------|---------------------|----------------------|--|----------------------------------|---|---|
| K8AK-AW1 | 0 to 20 mA AC/DC    | I1-COM               | 2 to 20 mA AC/DC<br>10 to 100 mA AC/DC<br>50 to 500 mA AC/DC | Approx. 5 Ω                      | Direct input                              | Continuous input at 120% of maximum input.<br>1 s at 150% |
|          | 0 to 100 mA AC/DC   | I2-COM               |  | Approx. 1 Ω                      | Direct input                              |   |
|          | 0 to 500 mA AC/DC   | I3-COM               |  | Approx. 0.2 Ω                    | Direct input                              |   |
| K8AK-AW2 | 0 to 1 A AC/DC      | I1-COM               | 0.1 to 1 A AC/DC<br>0.5 to 5 A AC/DC                         | Approx. 0.12 Ω<br>(Load: 0.5 VA) | Direct input or commercially available CT |   |
|          | 0 to 5 A AC/DC      | I2-COM               |  | Approx. 0.02 Ω<br>(Load: 1.5 VA) |   |   |
| K8AK-AW3 | 0 to 100 A AC       | I2-COM               | 10 to 100 A AC <sup>*2</sup><br>20 to 200 A AC <sup>*2</sup> | ---                              | OMRON CT                                  |   |
|          | 0 to 200 A AC       | I3-COM               |  | ---                              | OMRON CT                                  |   |

\*1 The range is selected using connected terminals.

\*2 The K8AK-AW3 is designed to be used in combination with an OMRON K8AC-CT200L Current Transformer (CT). (Direct input is not possible.)

## Ratings

|  |                              |   |
|--|------------------------------|---|
| <b>Power supply voltage</b>                          | <b>Isolated power supply</b> | 24 VAC/DC<br>100 to 240 VAC   |
| <b>Power consumption</b>                             |                              | 24 VAC/DC: 2.0 VA/1.1 W max.<br>100 to 240 VAC: 4.6 VA max.   |
| <b>Operating value setting range (SV)</b>            |                              | 10% to 100% of the maximum value of the setting range<br>K8AK-AW1: 2 to 20 mA AC/DC<br>10 to 100 mA AC/DC<br>50 to 500 mA AC/DC<br>K8AK-AW2: 0.1 to 1 A AC/DC (Compatible with commercially available CTs.)<br>0.5 to 5 A AC/DC (Compatible with commercially available CTs.)<br>K8AK-AW3: When used with the OMRON CT (K8AC-CT200L).<br>10 to 100 A AC<br>20 to 200 A AC   |
| <b>Operating value</b>                               |                              | 100% operation at set value   |
| <b>Reset value</b>                                   |                              | 5% of operating value (fixed)   |
| <b>Reset method</b>                                  |                              | Manual reset/automatic reset (switchable)<br><b>Note:</b> Manual reset: Turn OFF power supply for 1 s or longer.  |
| <b>Operating time setting range (T)</b>              |                              | 0.1 to 30 s   |
| <b>Startup lock time setting range (LOCK)</b>        |                              | 0 to 30 s   |
| <b>Note:</b> Enabled only for overcurrent operation. |                              | (The startup lock timer starts when the input has reached approximately 30% or more of the set value.)<br><b>Note:</b> Enabled only for overcurrent operation.  |
| <b>Indicators</b>                                    |                              | Power (PWR): Green, Relay output (RY): Yellow, Alarm outputs (ALM): Red   |
| <b>Input impedance</b>                               |                              | Refer to <i>Input Range</i> on previous page.   |
| <b>Output relays</b>                                 |                              | Two SPDT relay outputs (normally closed operation)  |
| <b>Output relay ratings</b>                          |                              | Rated load<br>Resistive load<br>5 A at 250 VAC<br>5 A at 30 VDC<br>Maximum switching capacity: 1,250 VA, 150 W<br>Minimum load: 5 VDC, 10 mA (reference values)<br>Mechanical life: 10 million operations min.<br>Electrical life: 5 A at 250 VAC or 30 VDC: 50,000 operations<br>3 A at 250 VAC/30 VDC: 100,000 operations   |
| <b>Ambient operating temperature</b>                 |                              | -20 to 60°C (with no condensation or icing)   |
| <b>Storage temperature</b>                           |                              | -25 to 65°C (with no condensation or icing)   |
| <b>Ambient operating humidity</b>                    |                              | 25% to 85% (with no condensation)   |
| <b>Storage humidity</b>                              |                              | 25% to 85% (with no condensation)   |
| <b>Altitude</b>                                      |                              | 2,000 m max.  |
| <b>Terminal screw tightening torque</b>              |                              | 0.49 to 0.59 N·m  |
| <b>Terminal wiring method</b>                        |                              | Recommended wire<br>Solid wire: 2.5 mm <sup>2</sup><br>Twisted wires: AWG16, AWG18<br><b>Note:</b> 1. Ferrules with insulating sleeves must be used with twisted wires.<br>2. Two wires can be twisted together.<br>Recommended ferrules<br>Al 1,5-8BK (for AWG16) manufactured by Phoenix Contact<br>Al 1-8RD (for AWG18) manufactured by Phoenix Contact<br>Al 0,75-8GY (for AWG18) manufactured by Phoenix Contact |
| <b>Case color</b>                                    |                              | N1.5  |
| <b>Case material</b>                                 |                              | PC and ABS, UL 94 V-0   |
| <b>Weight</b>  |                              | Approx. 150 g   |
| <b>Mounting</b>                                      |                              | Mounts to DIN Track.  |
| <b>Dimensions</b>                                    |                              | 22.5 × 90 × 100 mm (W×H×D)  |

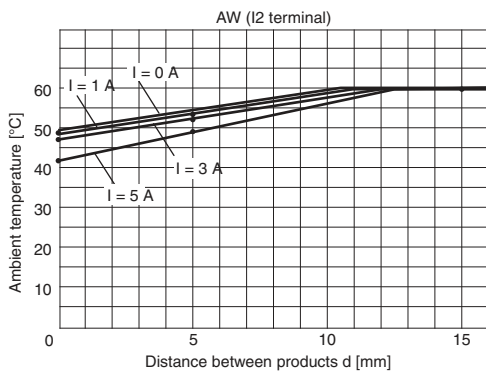
## Specifications

|  |                             |   |
|--|-----------------------------|---|
| <b>Allowable operating voltage range</b>   |                             | 85% to 110% of power supply voltage   |
| <b>Allowable operating frequency range</b> |                             | 50/60 Hz $\pm$ 5 Hz   |
| <b>Input frequency range</b>               |                             | K8AK-AW1 and K8AK-AW2: DC input or AC input (45 to 65 Hz)<br>K8AK-AW3: AC input (45 to 65 Hz)   |
| <b>Overload capacity</b>                   |                             | K8AK-AW1 and K8AK-AW2: Continuous input at 120% of maximum input, 1 s at 150%<br>K8AK-AW3: Continuous input at 120%, 30 s at 200%, and 1 s at 600% with an OMRON CT (K8AC-CT200L).<br><b>Note:</b> CT capacity on primary side. |
| <b>Repeat accuracy</b>                     | <b>Operating value</b>      | $\pm$ 0.5% full scale (at 25°C and 65% humidity, rated power supply voltage, DC or 50/60 Hz sine wave input)  |
|  | <b>Operating time</b>       | $\pm$ 50 ms (at 25°C and 65% humidity, rated power supply voltage)  |
| <b>Applicable standards</b>                | <b>Conforming standards</b> | EN 60947-5-1<br>Installation environment (pollution level 2, installation category III)   |
|  | <b>EMC</b>                  | EN 60947-5-1  |
|  | <b>Safety standards</b>     | UL 508 (Recognition), Korean Radio Waves Act (Act 10564), CSA: C22.2 No.14,<br>CCC: GB/T 14048.5  |
| <b>Insulation resistance</b>               |                             | 20 M $\Omega$ min.<br>Between external terminals and case<br>Between power supply terminals and input terminals<br>Between power supply terminals and output terminals<br>Between input terminals and output terminals          |
| <b>Dielectric strength</b>                 |                             | 2,000 VAC for one minute<br>Between external terminals and case<br>Between power supply terminals and input terminals<br>Between power supply terminals and output terminals<br>Between input terminals and output terminals    |
| <b>Noise immunity</b>                      |                             | 1,500 V power supply terminal common/normal mode<br>Square-wave noise of $\pm$ 1 $\mu$ s/100 ns pulse width with 1-ns rise time   |
| <b>Vibration resistance</b>                |                             | Frequency: 10 to 55 Hz, 0.35-mm single amplitude<br>10 sweeps of 5 min each in X, Y, and Z directions   |
| <b>Shock resistance</b>                    |                             | 100 m/s <sup>2</sup> , 3 times each in 6 directions along 3 axes  |
| <b>Degree of protection</b>                |                             | Terminals: IP20   |

## ●Relationship of Mounting Distance between K8AK-AW Relays and Input Current (Reference Values)

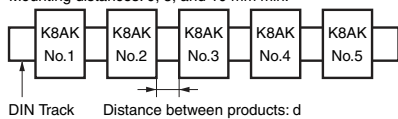
The following diagram shows the relationship between the mounting distances and the input current.

If the relay is used with an input current that exceeds these values, the temperature of the K8AK may rise and shorten the life of the internal components.



### Test method

Sample: K8AK-AW  
Applied voltage: 240 VAC  
Mounting distances: 0, 5, and 10 mm min.

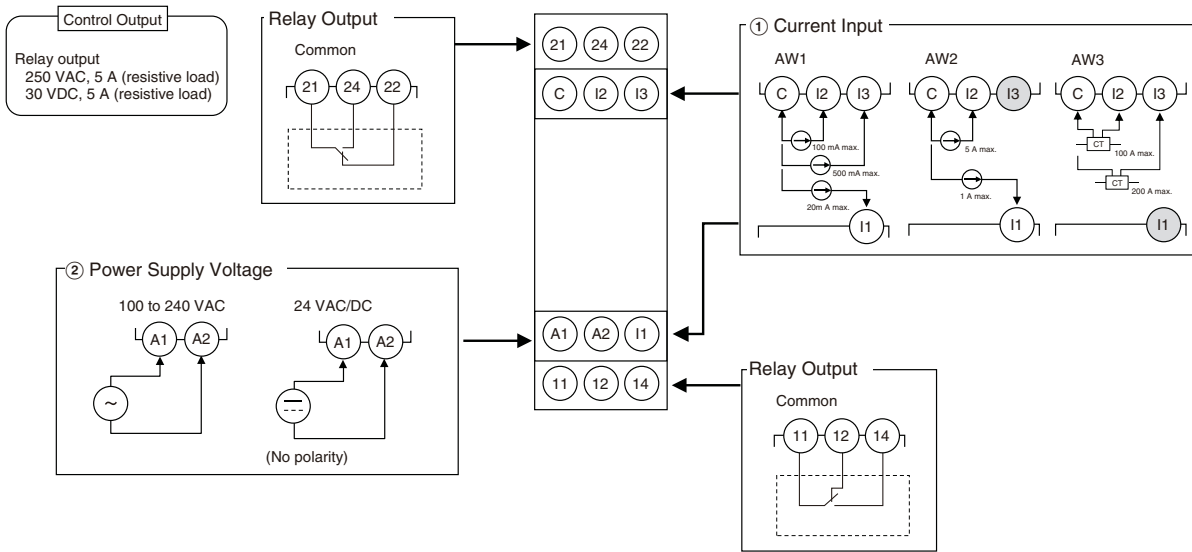


# Connections

## Terminal Diagram

K8AK-AW1 100-240VAC

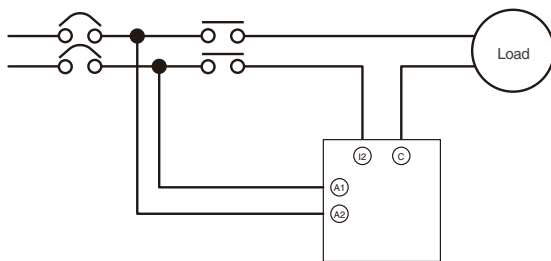
① ②



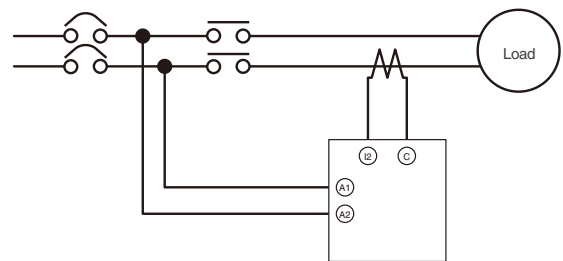
- Note:**
1. Do not connect anything to terminals that are shaded in gray.
  2. There is no polarity for the DC power supply input.
  3. For the current input, you can input only from the C terminal and one other terminal.
  4. Refer to *Setting Ranges and Wiring Connections* on the I1, I2, and I3 current input terminals.
  5. Use the recommended ferrules if you use twisted wires.
  6. The K8AK-AW3 is designed to be used in combination with the OMRON K8AC-CT200L Current Transformer (CT).

## Wiring Example

### Directly Inputting a Current



### Using a CT



- Always turn on the control power supply for the K8AK at least 2 seconds before turning on the power for the load.

## Example Relay Sequence for Overcurrent/Undercurrent Monitoring Mode

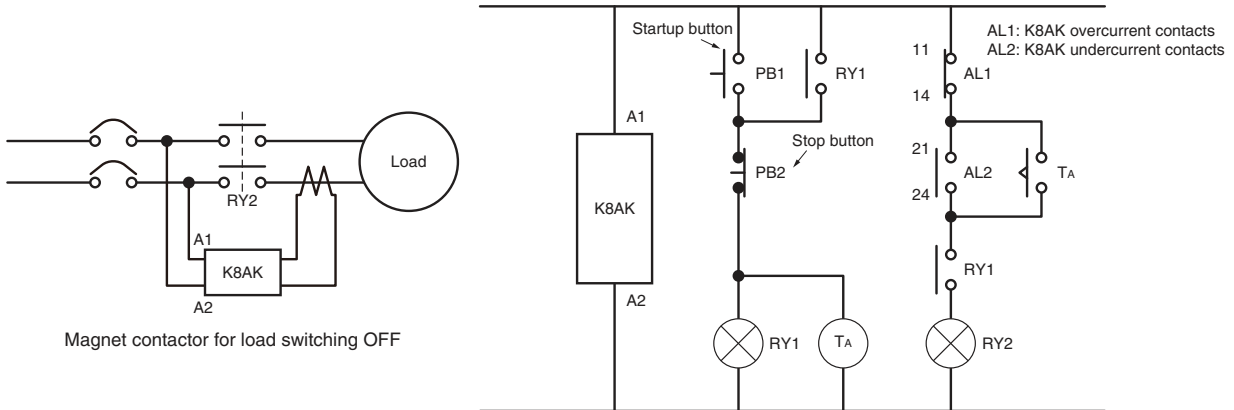
<Explanation of operation>

- RY2 (magnet contactor) will be energized in approx. 100 ms when PB1 (startup button) is pressed.
- Use a timer for the K8AK undercurrent alarm (AL2) as a switch from contact "b" to contact "a" will not occur for approx. 250 ms even if the magnet contactor (RY2) is turned on.

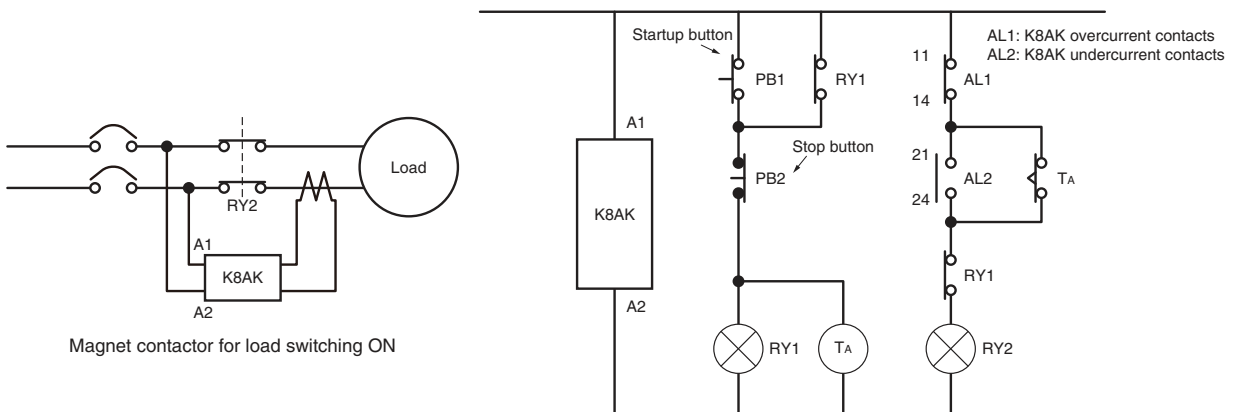
<Timer setting conditions (reference)>

- TA : Timer (H3YN-2 + socket, Omron)
- Operating mode : Interval mode
- Setting time : 2 s

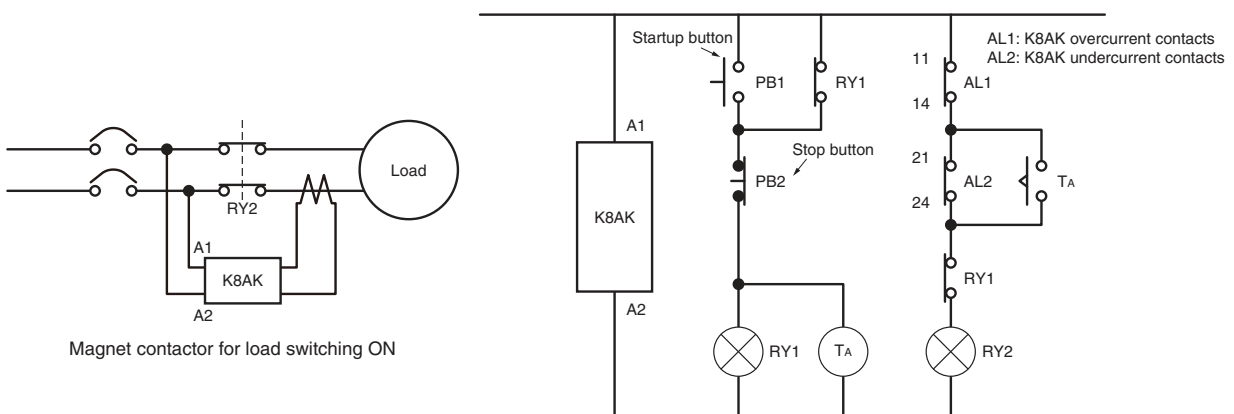
**Before pressing the startup button (after approx. 1.25 seconds have passed following turning on the power supply of K8AK)**



**Immediately after pressing the startup button (within approx. 250 ms)**



**Two seconds after pressing the startup button**



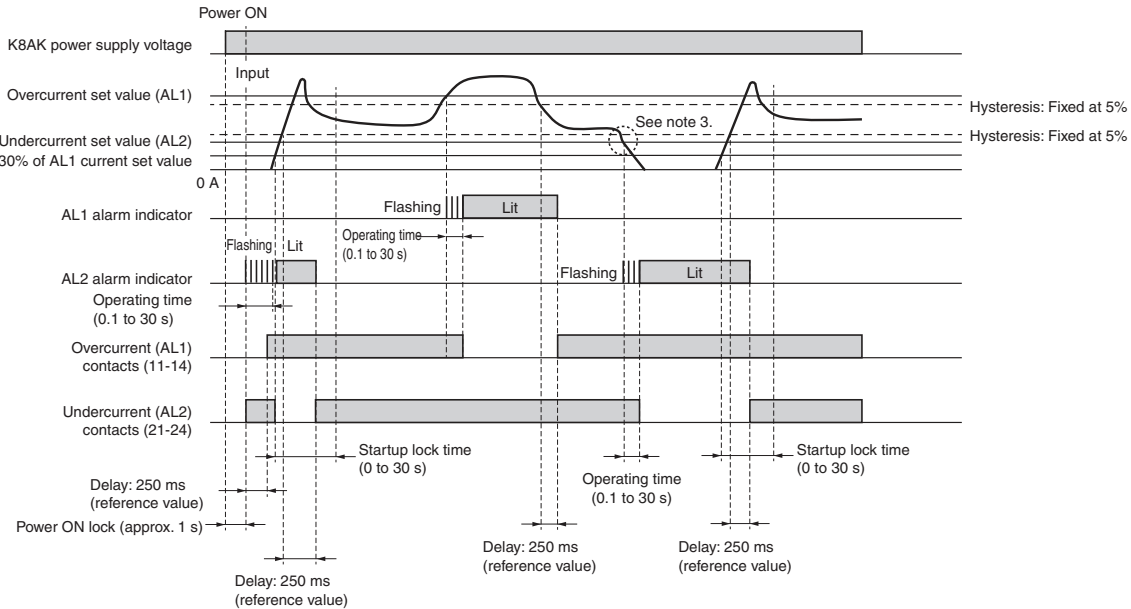
- Note:**
1. K8AK output contacts will operate (contact "a") within the setting range for current input values (normal status).
  2. The overcurrent alarm (AL1) and undercurrent alarm (AL2) will operate as follows before the magnet contactor (RY2) is turned on (state without current input).
    - Overcurrent alarm (AL1): Contact "b" for the approx. 1 second interval immediately after the K8AK control power supply is turned on. After that, a switch to contact "a" will be made as an overcurrent state is no longer present. At that time, there will be a response delay time from contact "b" to contact "a" of approx. 250 ms.
    - Undercurrent alarm (AL2): Contact "b" for the approx. 1 second interval immediately after the K8AK control power supply is turned on. After that, because a state without current input will continue, an undercurrent will be detected and the status of contact "b" will continue as is.

## Timing Charts

- Always turn on the control power supply for K8AK at least 2 seconds before load startup.
- Be aware that there is a power ON lock time (approx. 1 s) for the K8AK.
- Output relays 11-14 and 21-24 will be conductive when the input level is normal.
- The startup lock time only functions during the first load startup. After load is stopped, the startup lock time will be in effect again when restarted.
- There is no startup lock time function when monitoring undercurrent.

### ● Overcurrent and Undercurrent Operation Diagram (Overcurrent/Undercurrent Monitoring Mode)

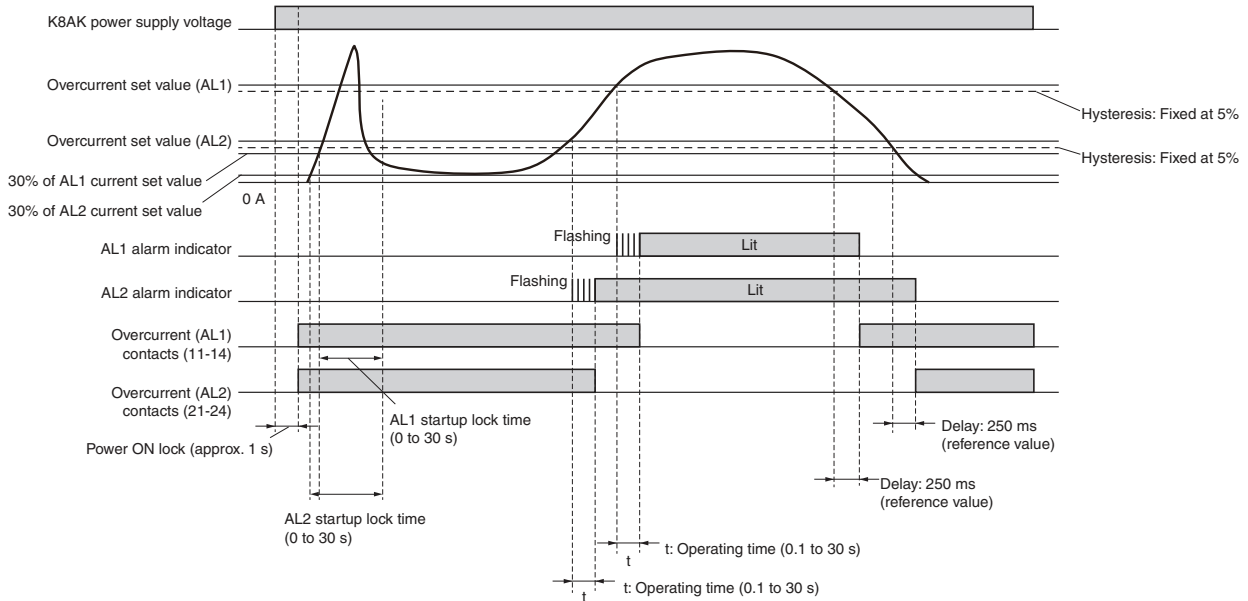
DIP switch settings: SW3 ON and SW4 ON, or SW3 OFF and SW4 OFF



- Note: 1. The K8AK-AW□ output contacts are normally operative.  
 2. Power ON lock prevents unnecessary alarms from being generated during the unstable period when the power is first turned ON. There is no contact output during timer operation.  
 3. There is no startup lock time function for monitoring undercurrent.

### ● Overcurrent and Overcurrent Operation Diagram (Overcurrent/Overcurrent Monitoring Mode) (When Using as an Overcurrent Pre-alarm)

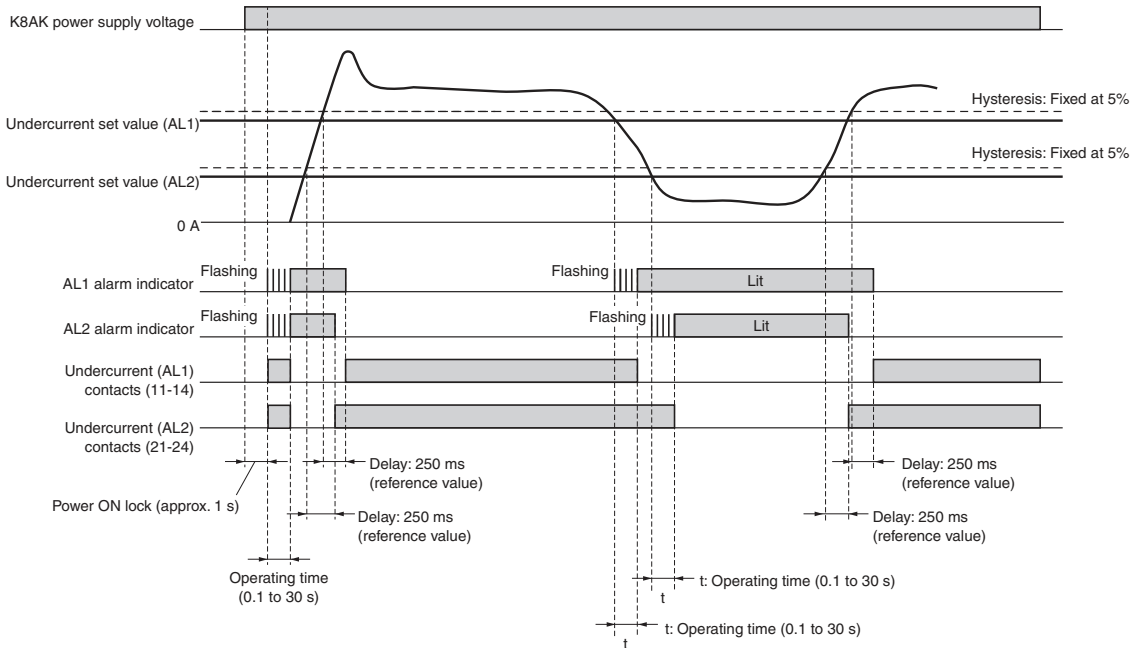
DIP switch settings: SW3 ON and SW4 OFF



- Note: 1. The K8AK-AW□ output contacts are normally operative.  
 2. Power ON lock prevents unnecessary alarms from being generated during the unstable period when the power is first turned ON. There is no contact output during timer operation.

## ● Undercurrent and Undercurrent Operation Diagram (Undercurrent/Undercurrent Monitoring Mode) (When Using as an Undercurrent Pre-alarm)

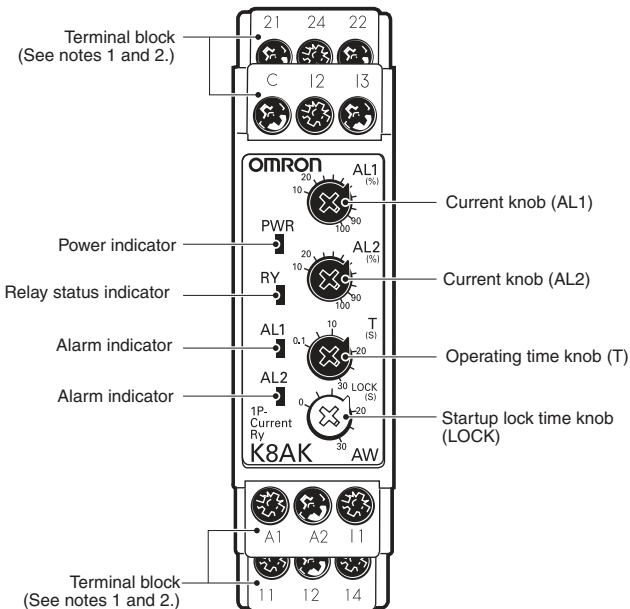
DIP switch settings: SW3 OFF and SW4 ON



- Note: 1. The K8AK-AW□ output contacts are normally operative.  
 2. Power ON lock prevents unnecessary alarms from being generated during the unstable period when the power is first turned ON. There is no contact output during timer operation.  
 3. There is no startup lock time function for monitoring undercurrent.

## Nomenclature

### Front



### ● Indicators

| Item                                | Meaning   |
|-------------------------------------|---|
| Power indicator (PWR: Green)        | Lit when power is being supplied.   |
| Relay status indicator (RY: Yellow) | Lit when relay is operating.  |
| Alarm indicator (ALM: Red)          | Lit when there is an overcurrent or undercurrent.<br>The indicator flashes to indicate the error status after the input has exceeded the set value while the operating time is being clocked. |

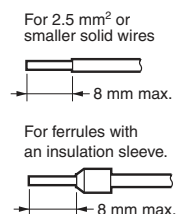
### ● Setting Knobs

| Item                          | Usage  |
|-------------------------------|--|
| Current knob (AL1)            | Used to set the current to 10% to 100% of maximum setting range.   |
| Current knob (AL2)            | Used to set the current to 10% to 100% of maximum setting range.   |
| Operating time knob (T)       | Used to set the operating time to 0.1 to 30 s.   |
| Startup lock time knob (LOCK) | Used to set the startup lock time to 0 to 30 s. Use for the purpose of preventing unwanted operation, e.g., as a result of inrush current during load startup. There will be no alarm output when the startup lock timer is operating. |

- Note: 1.** Use either a solid wire of 2.5 mm<sup>2</sup> maximum or a ferrule with insulating sleeve for the terminal connection. The length of the exposed current-carrying part inserted into the terminal must be 8 mm or less to maintain dielectric strength after connection.  
 <Recommended ferrules>

- Phoenix Contact
- Al 1,5-8BK (for AWG16)
- Al 1-8RD (for AWG18)
- Al 0,75-8GY (for AWG18)

- Tightening torque: 0.49 to 0.59 N·m
- The terminal screw is a Pozidriv screw.





## Operation Methods

### Setting Ranges and Wiring Connections

| Model    | Setting range      | Input type                                | Wiring connections |
|----------|--------------------|---|--------------------|
| K8AK-AW1 | 2 to 20 mA AC/DC   | Direct input                              | I1-COM             |
|          | 10 to 100 mA AC/DC | Direct input                              | I2-COM             |
|          | 50 to 500 mA AC/DC | Direct input                              | I3-COM             |
| K8AK-AW2 | 0.1 to 1 A AC/DC   | Direct input or commercially available CT | I1-COM             |
|          | 0.5 to 5 A AC/DC   |   | I2-COM             |
| K8AK-AW3 | 10 to 100 A AC*    | OMRON CT                                  | I2-COM             |
|          | 20 to 200 A AC*    | OMRON CT                                  | I3-COM             |

**Note:** The DC input terminals have no polarity.  
 \* The K8AK-AW3 is designed to be used in combination with the OMRON K8AC-CT200L Current Transformer (CT). (Direct input is not possible.)

### Connections

#### ●Input

Connect the input between the I1-COM, I2-COM, or I3-COM terminals, according to the input current. Malfunctions may occur if the input is connected to unused terminals and the Unit will not operate correctly.

Terminal I1 is not used by the K8AK-AW3.

If using the OMRON K8AC-CT200L CT, connect to terminals k and l on the K8AC-CT200L. (Terminals kt and lt are not used.)

#### ●Power Supply

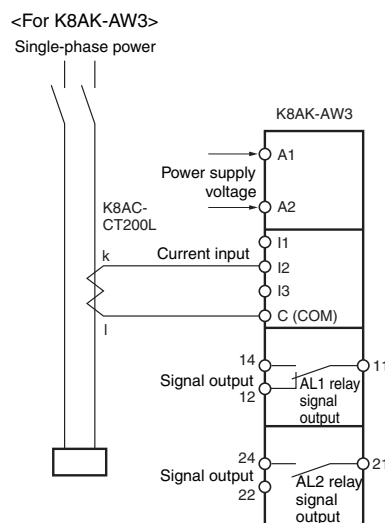
Connect the power supply to terminals A1 and A2.

#### ●Outputs

AL1 (SPDT relay) is output to terminals 11, 12, and 14.

AL2 (SPDT relay) is output to terminals 21, 22, and 24.

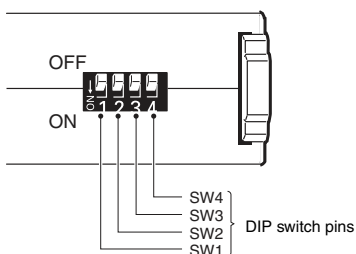
**Note:** Use the recommended ferrules if using twisted wires.



### DIP Switch Settings

The resetting method, relay drive method, and operating mode are set using the DIP switch located on the bottom of the Unit.

K8AK-AW□ does not use SW1.



#### ●DIP Switch Functions

| Pin              | OFF ● ↑         |           |              |     |
|------------------|-----------------|-----------|--------------|-----|
|                  | 1               | 2         | 3            | 4   |
| Resetting method | Manual reset    | ●         | ---          | --- |
|                  | Automatic reset | ○         | ---          | --- |
| Operating mode   | AL1             | Not used. | Overcurrent  | ●   |
|                  | AL2             |           | Undercurrent | ●   |
|                  | Overcurrent     |           | ○            |     |
|                  | Undercurrent    |           | ●            |     |
|                  | Overcurrent     |           | ○            |     |

**Note:** All pins are set to OFF at the factory.

### Setting Method

#### ●Setting Current

The current knob (SV) is used to set the current.

The current can be set to 10% to 100% of the maximum setting range.

Turn the knob while there is an input to the input terminals until the alarm indicator flashes (when the set value and the input have reached the same level.)

Use this as a guide to set the current.

The maximum setting range will differ depending on the model and the input terminal.

Example: K8AK-AW3 Using Input Terminals I3-COM

The maximum measuring current will be 200 A AC and the setting range will be 20 to 200 A.

# K8AK-AW

## ● Operating Time

The operating time is set using the operating time knob (T).  
The operating time can be set to between 0.1 and 30 s.

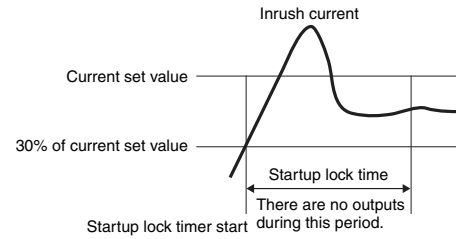
If the input current exceeds (drops lower than) the set value, the alarm indicator will start flashing for the set period and then stay lit.

## ● Startup Lock Time

The startup lock time is set using the startup lock time knob (LOCK).  
The startup lock time can be set to between 0 and 30 s.

The startup lock time will start when the input current reaches 30% or more of the set value.  
Use startup lock time to prevent unwanted operation, e.g., as a result of inrush current.

**Note:** Enabled only for overcurrent operation.

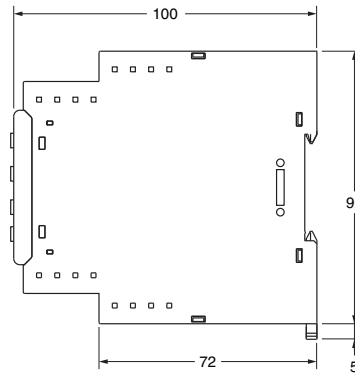
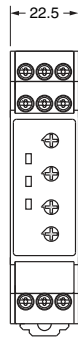


## Dimensions

(Unit: mm)

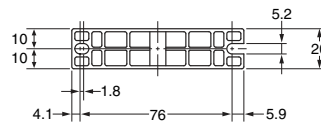
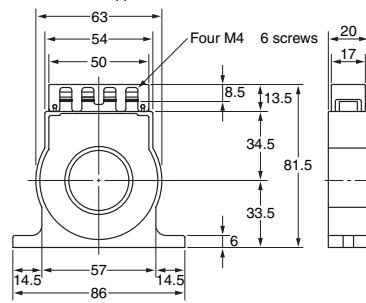
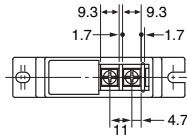
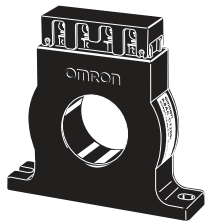
### Single-phase Current Relays

K8AK-AW1  
K8AK-AW2  
K8AK-AW3

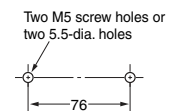


## OMRON CT

K8AC-CT200L



### Mounting Hole Dimensions

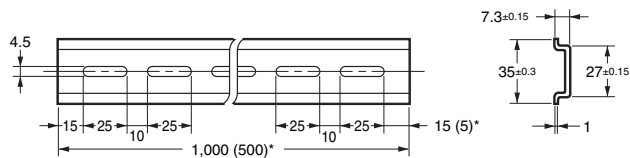
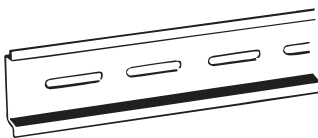


**Note:** The OMRON Current Transformer (CT) is designed to be used with the K8AK-AW3. Use terminals k and l for connections. (Terminals kt and lt are not used.)

## Optional Parts for DIN Track Mounting

### ● DIN Tracks

PFP-100N  
PFP-50N



\*Dimensions in parentheses are for the PFP-50N.

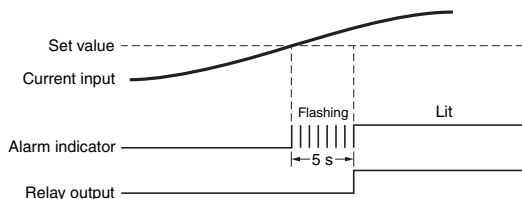
## Questions and Answers

**Q** **Checking Operation**

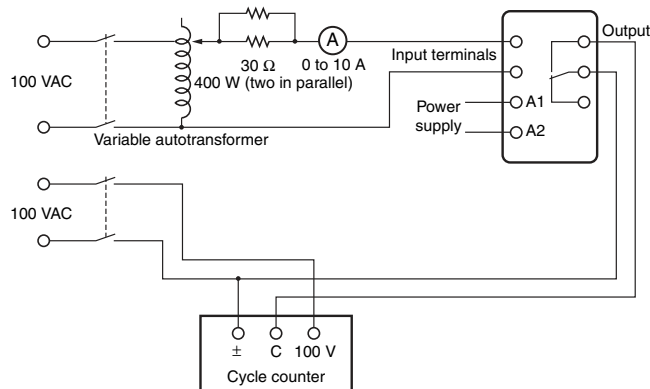
**A** **Overcurrents**  
 Gradually increase the input from 80% of the set value. The input will equal the operating value when the input exceeds the set value and the alarm indicator starts flashing. Operation can be checked by the relay outputs that will start after the operating time has passed.

**Undercurrent**  
 Gradually decrease the input from 120% of the set value and check the operation using the same method as for overcurrent.

Example: Overcurrent Operating Mode, Normally Closed Relay Drive, and an Operating Time of 5 s.



**Connection Diagram**



**Q** **How to Measure the Operating Time**

**A** **Overcurrent**  
 Change the input suddenly from 0% to 120% of the set value and measure the time until the Unit operates.

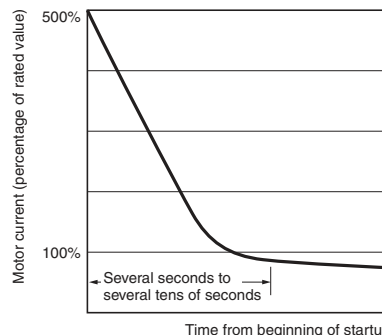
**Undercurrent**  
 Change the input suddenly from 120% to 0% of the set value and measure the time until the Unit operates.

**Q** **Monitoring Switch-mode Power Supplies**

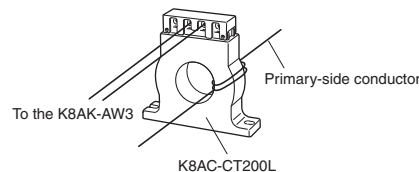
**A** Switch-mode Power Supplies cannot be monitored. In circuits with a capacitor input, including switch-mode power supplies, the input capacitor recharge current flows in pulse form as the load current. The K8AK-AW□ has a built-in filter as a countermeasure against high frequencies and cannot be used to remove pulse current.

**Q** **Can a motor with a rated current of 5 A be monitored using the K8AK? Are there any application precautions?**

**A** The K8AK-AW1 and K8AK-AW2 cannot be used with motor loads. Use the K8AK-AW3 in combination with the K8AC-CT200L Current Transformer (CT). With motor loads, the startup current and stall current will cause a current of many times the rated current to flow. Refer to the following figure for information on the motor startup current.



For a motor with a rating of 5 A, the startup current will be approximately 30 A. The startup current will exceed the overload capacity (rating: 150% for 1 s) of the K8AK-AW1 and K8AK-AW2 and result in failure of the Relay. To monitor the motor load, use the K8AK-AW3. (Overload capacity: 120% of rating for continuous load, 200% of rating for 30 s, and 600% of rating for 1 s). The K8AK-AW3 has a large input range. Pass the conductors multiple times through the special CT.



**Concept behind Passing Conductor through the CT When Using the K8AK-AW3**

Example: Monitoring Overload of a Motor with a Rated Current of 5 A


K8AK set value:  
 Overcurrent detection, operating value setting: 25%, operating time: 0.1 s  
 Startup lock timer: 0.1 to 30 s (Set the timer according to the duration of the startup current.)

The setting range for the K8AK-AW3 is 10% to 100% of the rated current (i.e., 10 to 100 A). Pass the conductors through the CT five times so that at least 10 A of current flows. The input current to the K8AK will be 25 A (i.e., 5 A x 5 loops).  
 If a startup current of six times the rated current is generated, it will be 150 A (i.e., 25 A x 6). The overload capacity for the K8AK-AW3 is 200% of the rating for 30 s. The Relay will not fail even if the startup current continues for 30 s, and it is possible to perform overload detection.





## Safety Precautions

Be sure to read the precautions for all models in the website at the following URL: <http://www.ia.omron.com/>.

### Warning Indications

|  |   |
|--|---|
|  <b>CAUTION</b> | Indicates a potentially hazardous situation which, if not avoided, may result in minor or moderate injury or in property damage.                |
| <b>Precautions for Safe Use</b>  | Supplementary comments on what to do or avoid doing, to use the product safely.   |
| <b>Precautions for Correct Use</b>   | Supplementary comments on what to do or avoid doing, to prevent failure to operate, malfunction, or undesirable effects on product performance. |

### Meaning of Product Safety Symbols

|  |   |
|--|---|
|   | Used to warn of the risk of electric shock under specific conditions.   |
|   | Used for general prohibitions for which there is no specific symbol.  |
|   | Used to indicate prohibition when there is a risk of minor injury from electrical shock or other source if the product is disassembled. |
|  | Used for general mandatory action precautions for which there is no specified symbol.   |

### CAUTION

Electrical shock may cause minor injury.  
Do not touch terminals while electricity is being supplied.



There is a risk of minor electrical shock, fire, or device failure.  
Do not allow any pieces of metal, conductors, or cutting chips that occur during the installation process to enter the product.



Explosions may cause minor injuries. Do not use the product in locations with inflammable or explosive gases.

There is a risk of minor electrical shock, fire, or device failure.  
Do not disassemble, modify, repair, or touch the inside of the product.



Loose screws may cause fires. Tighten terminal screws to the specified torque of 0.49 to 0.59 N·m.



Use of excessive torque may damage the terminal screws.  
Tighten terminal screws to the specified torque of 0.49 to 0.59 N·m.



Use of the product beyond its life may result in contact welding or burning. Make sure to consider the actual operating conditions and use the product within its rated load and electrical life count. The life of the output relay varies significantly with the switching capacity and switching conditions.



### Precautions for Safe Use

1. Do not use or store the product in the following locations.
  - Locations subject to water or oil
  - Outdoor locations or under direct sunlight
  - Locations subject to dust or corrosive gases (particularly sulfurizing gases, ammonia, etc.)
  - Locations subject to rapid temperature changes
  - Locations prone to icing and dew condensation
  - Locations subject to excessive vibration or shock
  - Locations subject to wind and rain
  - Locations subject to static electricity and noise
  - Habitats of insects or small animals
2. Use and store the product in a location where the ambient temperature and humidity are within the specified ranges. If applicable, provide forced cooling.
3. Mount the product in the correct direction.
4. Check terminal polarity when wiring and wire all connections correctly. The power supply terminals do not have polarity.
5. Do not wire the input and output terminals incorrectly.
6. Make sure the power supply voltage and loads are within the specifications and ratings for the product.
7. Make sure the crimp terminals for wiring are of the specified size.
8. Do not connect anything to terminals that are not being used.
9. Use a power supply that will reach the rated voltage within 1 second after the power is turned ON.
10. Keep wiring separate from high voltages and power lines that draw large currents.  
Do not place product wiring in parallel with or in the same path as high-voltage or high-current lines.
11. Do not install the product near equipment that generates high frequencies or surges.
12. The product may cause incoming radio wave interference. Do not use the product near radio wave receivers.
13. Install an external switch or circuit breaker and label it clearly so that the operator can quickly turn OFF the power supply.
14. Make sure the indicators operate correctly. Depending on the application environment, the indicators may deteriorate prematurely and become difficult to see.
15. Do not use the product if it is accidentally dropped. The internal components may be damaged.
16. Be sure you understand the contents of this catalog and handle the product according to the instructions provided.
17. Do not install the product in any way that would place a load on it.
18. When discarding the product, properly dispose of it as industrial waste.
19. When using the product, remember that the power supply terminals carry a high voltage.
20. The product must be handled only by trained electrician.
21. Prior to operation, check the wiring before you supply power to the product.
22. Do not install the product immediately next to heat sources.
23. Perform periodic maintenance.

### Precautions for Correct Use

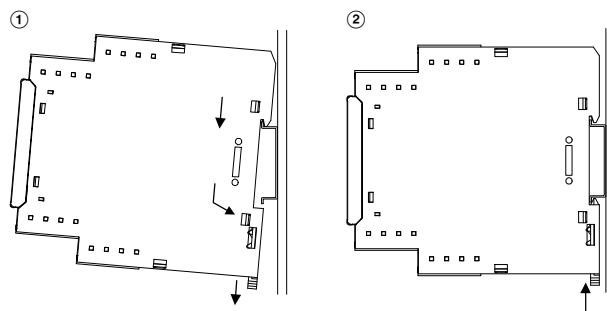
#### Observe the following operating methods to prevent failure and malfunction.

1. Use the power supply voltage, input power, and other power supplies and converters with suitable capacities and rated outputs.
2. Use a precision screwdriver or similar tool to adjust the setting knobs.
3. The distortion in the input waveform must be 30% max. If the input waveform is distorted beyond this level, it may cause unnecessary operation.
4. Error will be large if the product is used for thyristor or inverter control.
5. To reduce the error in the setting knob, always turn the setting knob from the minimum setting toward the maximum setting.
6. When cleaning the product, do not use thinners or solvents. Use commercial alcohol.

#### Correct Mounting Direction, Mounting, and Removing

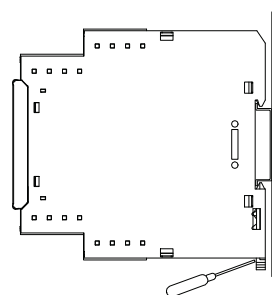
##### • Mounting to DIN Track

1. Attach the product to the DIN Track with the tab at the top and the hooks at the bottom.
2. Push the product onto the Track until the hooks lock into place.



##### • Removing from the DIN Track

- Pull down on the bottom hook with a flat-blade screwdriver and lift up on the product.



Applicable DIN Tracks:  
PFP-100N (100 cm)  
PFP-50N (50 cm)

#### Adjusting the Setting Knobs

- Use a screwdriver to adjust the setting knobs. The knobs have a stopper that prevents them from turning beyond the full right or left position. Do not force a knob beyond these points.





# Terms and Conditions Agreement

## **Read and understand this catalog.**

Please read and understand this catalog before purchasing the products. Please consult your OMRON representative if you have any questions or comments.

## **Warranties.**

- (a) Exclusive Warranty. Omron's exclusive warranty is that the Products will be free from defects in materials and workmanship for a period of twelve months from the date of sale by Omron (or such other period expressed in writing by Omron). Omron disclaims all other warranties, express or implied.
- (b) Limitations. OMRON MAKES NO WARRANTY OR REPRESENTATION, EXPRESS OR IMPLIED, ABOUT NON-INFRINGEMENT, MERCHANTABILITY OR FITNESS FOR A PARTICULAR PURPOSE OF THE PRODUCTS. BUYER ACKNOWLEDGES THAT IT ALONE HAS DETERMINED THAT THE PRODUCTS WILL SUITABLY MEET THE REQUIREMENTS OF THEIR INTENDED USE.

Omron further disclaims all warranties and responsibility of any type for claims or expenses based on infringement by the Products or otherwise of any intellectual property right. (c) Buyer Remedy. Omron's sole obligation hereunder shall be, at Omron's election, to (i) replace (in the form originally shipped with Buyer responsible for labor charges for removal or replacement thereof) the non-complying Product, (ii) repair the non-complying Product, or (iii) repay or credit Buyer an amount equal to the purchase price of the non-complying Product; provided that in no event shall Omron be responsible for warranty, repair, indemnity or any other claims or expenses regarding the Products unless Omron's analysis confirms that the Products were properly handled, stored, installed and maintained and not subject to contamination, abuse, misuse or inappropriate modification. Return of any Products by Buyer must be approved in writing by Omron before shipment. Omron Companies shall not be liable for the suitability or unsuitability or the results from the use of Products in combination with any electrical or electronic components, circuits, system assemblies or any other materials or substances or environments. Any advice, recommendations or information given orally or in writing, are not to be construed as an amendment or addition to the above warranty.

See <http://www.omron.com/global/> or contact your Omron representative for published information.

## **Limitation on Liability; Etc.**

OMRON COMPANIES SHALL NOT BE LIABLE FOR SPECIAL, INDIRECT, INCIDENTAL, OR CONSEQUENTIAL DAMAGES, LOSS OF PROFITS OR PRODUCTION OR COMMERCIAL LOSS IN ANY WAY CONNECTED WITH THE PRODUCTS, WHETHER SUCH CLAIM IS BASED IN CONTRACT, WARRANTY, NEGLIGENCE OR STRICT LIABILITY.

Further, in no event shall liability of Omron Companies exceed the individual price of the Product on which liability is asserted.

## **Suitability of Use.**

Omron Companies shall not be responsible for conformity with any standards, codes or regulations which apply to the combination of the Product in the Buyer's application or use of the Product. At Buyer's request, Omron will provide applicable third party certification documents identifying ratings and limitations of use which apply to the Product. This information by itself is not sufficient for a complete determination of the suitability of the Product in combination with the end product, machine, system, or other application or use. Buyer shall be solely responsible for determining appropriateness of the particular Product with respect to Buyer's application, product or system. Buyer shall take application responsibility in all cases.

NEVER USE THE PRODUCT FOR AN APPLICATION INVOLVING SERIOUS RISK TO LIFE OR PROPERTY OR IN LARGE QUANTITIES WITHOUT ENSURING THAT THE SYSTEM AS A WHOLE HAS BEEN DESIGNED TO ADDRESS THE RISKS, AND THAT THE OMRON PRODUCT(S) IS PROPERLY RATED AND INSTALLED FOR THE INTENDED USE WITHIN THE OVERALL EQUIPMENT OR SYSTEM.

## **Programmable Products.**

Omron Companies shall not be responsible for the user's programming of a programmable Product, or any consequence thereof.

## **Performance Data.**

Data presented in Omron Company websites, catalogs and other materials is provided as a guide for the user in determining suitability and does not constitute a warranty. It may represent the result of Omron's test conditions, and the user must correlate it to actual application requirements. Actual performance is subject to the Omron's Warranty and Limitations of Liability.

## **Change in Specifications.**

Product specifications and accessories may be changed at any time based on improvements and other reasons. It is our practice to change part numbers when published ratings or features are changed, or when significant construction changes are made. However, some specifications of the Product may be changed without any notice. When in doubt, special part numbers may be assigned to fix or establish key specifications for your application. Please consult with your Omron's representative at any time to confirm actual specifications of purchased Product.

## **Errors and Omissions.**

Information presented by Omron Companies has been checked and is believed to be accurate; however, no responsibility is assumed for clerical, typographical or proofreading errors or omissions.

**OMRON Corporation** Industrial Automation Company  
Kyoto, JAPAN

Contact: [www.ia.omron.com](http://www.ia.omron.com)

**Regional Headquarters**

**OMRON EUROPE B.V.**

Wegalaan 67-69, 2132 JD Hoofddorp  
The Netherlands  
Tel: (31)2356-81-300/Fax: (31)2356-81-388

**OMRON ELECTRONICS LLC**

2895 Greenspoint Parkway, Suite 200  
Hoffman Estates, IL 60169 U.S.A.  
Tel: (1) 847-843-7900/Fax: (1) 847-843-7787

**OMRON ASIA PACIFIC PTE. LTD.**

No. 438A Alexandra Road # 05-05/08 (Lobby 2),  
Alexandra Technopark,  
Singapore 119967  
Tel: (65) 6835-3011/Fax: (65) 6835-2711

**OMRON (CHINA) CO., LTD.**

Room 2211, Bank of China Tower,  
200 Yin Cheng Zhong Road,  
PuDong New Area, Shanghai, 200120, China  
Tel: (86) 21-5037-2222/Fax: (86) 21-5037-2200

**Authorized Distributor:**

© OMRON Corporation 2014-2021 All Rights Reserved.  
In the interest of product improvement,  
specifications are subject to change without notice.

**CSM\_4\_7**  
Cat. No. N180-E1-03

1021(0314)