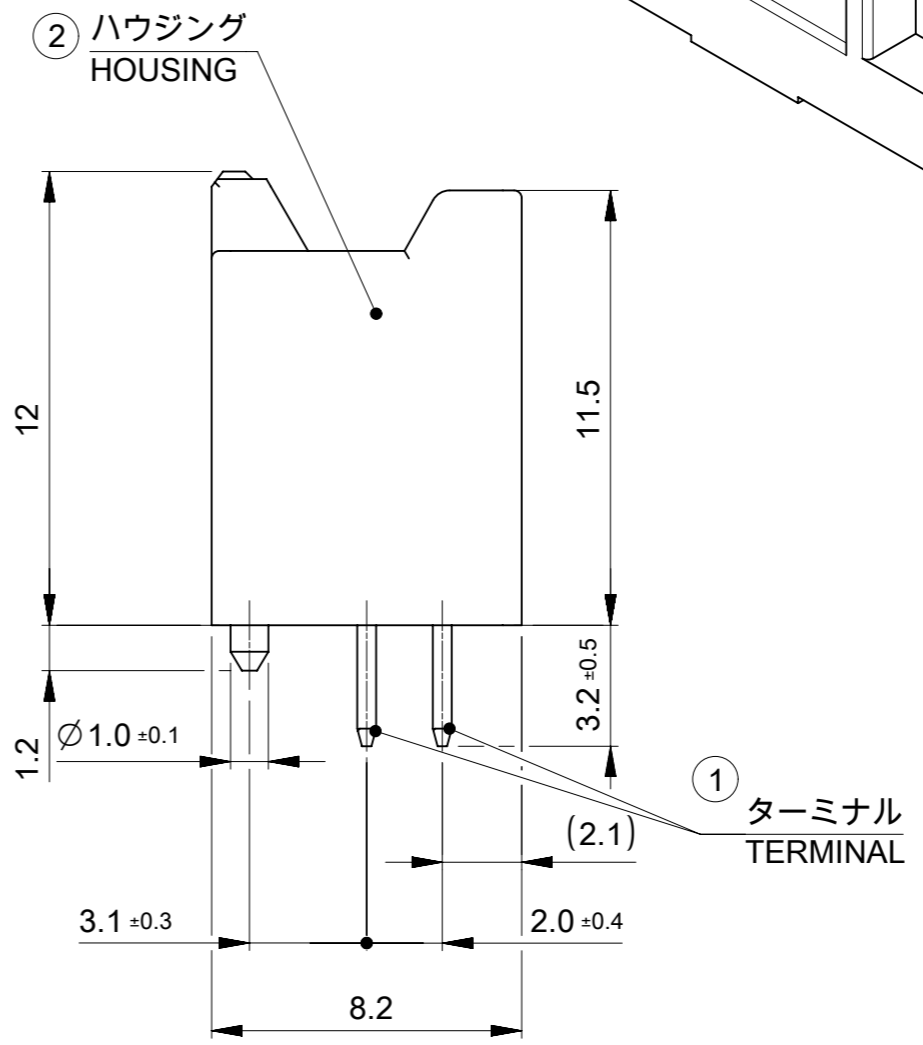




TABLE 1



| | | | |
|-----|----|----|--------------------|
| 9.2 | 38 | 42 | 40 |
| 9.2 | 36 | 40 | 38 |
| 9.2 | 34 | 38 | 36 |
| 9.2 | 32 | 36 | 34 |
| 9.2 | 30 | 34 | 32 |
| 9.2 | 28 | 32 | 30 |
| 9.2 | 26 | 30 | 28 |
| 9.2 | 24 | 28 | 26 |
| 9.2 | 22 | 26 | 24 |
| 9.2 | 20 | 24 | 22 |
| 9.2 | 18 | 22 | 20 |
| 9.2 | 16 | 20 | 18 |
| 9.2 | 14 | 18 | 16 |
| 9.2 | 12 | 16 | 14 |
| 9.2 | 10 | 14 | 12 |
| 7.3 | 8 | 12 | 10 |
| C | B | A | 極数 CIRCUIT SIZE |

| 番号 No. | 部品 PART | 材質 MATERIAL |
|--------|-----------------|--|
| ① | ターミナル TERMINAL | 黄銅, BRASS |
| | コンタクト CONTACT | 下地めっき UNDER PLATING 銅めっき 1.0 micro-meter MIN COPPER PLATING 1.0 micro-meter MIN |
| | テール SOLDER TAIL | 無光沢錫めっき(リフロー処理) 1.0 micro-meter MIN MATTE TIN PLATING (REFLOW TREATMENT) 1.0 micro-meter MIN |
| ② | ハウジング HOUSING | ポリアミド(PA)ガラス入り, UL94V-0, 色: SEE CHART POLYAMIDE(PA) GLASS FILLED, UL94V-0, COLOR : SEE CHART |

THIS DRAWING CONTAINS INFORMATION THAT IS PROPRIETARY TO MOLEX ELECTRONIC TECHNOLOGIES, LLC AND SHOULD NOT BE USED WITHOUT WRITTEN PERMISSION

| | | | | |
|--|---------|-------------------|------------|--------------|
| DIMENSION UNITS | SCALE | CURRENT REV DESC: | | |
| mm | NTS | | | |
| GENERAL TOLERANCES (UNLESS SPECIFIED) | | | | |
| ANGULAR TOL | ± 3.0 ° | | | |
| 4 PLACES | ± 0.2 | EC NO: 732484 | | |
| 3 PLACES | ± 0.2 | DRWN: SNAKAMURA08 | 2022/12/15 | |
| 2 PLACES | ± 0.2 | CHK'D: KOMURAKAMI | 2023/03/03 | |
| 1 PLACE | ± 0.2 | APPR: SAKIYAMA | 2023/03/03 | |
| 0 PLACES | ± 0.2 | INITIAL REVISION: | | |
| DRAFT WHERE APPLICABLE MUST REMAIN WITHIN DIMENSIONS | | DRWN: SNAKAMURA08 | 2019/05/09 | |
| THIRD ANGLE PROJECTION | | APPR: KOMURAKAMI | 2019/05/24 | |
| DRAWING | SERIES | MATERIAL NUMBER | CUSTOMER | SHEET NUMBER |
| A3-SIZE | 501645 | 5016450000-SD | GENERAL | 1 OF 3 |

NOTES.

- 1. 材料及び仕上げ(めっき仕様) : TABLE 1 参照
MATERIAL AND FINISHES : SEE TABLE 1
- 2. 製品仕様書 : PS-501646-001
PRODUCT SPECIFICATION:PS-501646-001
- 3. 嵌合相手:
MATES WITH:

| | | |
|-----------------------------------|---|---------------|
| リセプタクルハウジング RECEPTACLE HOUSING | 501646 SERIES | |
| 圧着端子 RECEPTACLE CRIMP TERMINAL | AWG #22-26 錫めっき AWG #22-26 TIN PLATING | 501647 SERIES |
| | AWG #26-28 錫めっき AWG #26-28 TIN PLATING | 501648 SERIES |

- 4. アプリケーション仕様書(コネクタ取扱い説明書) : 5016460000 PS A01
APPLICATION SPECIFICATION(CONNECTOR MANNUAL): 5016460000 PS A01
- 5. 本製品は錫めっき品です。
THIS PRODUCT IS A TIN PLATING.
- 6. 極数/2 = 偶数に適応
APPLY FOR CIRCUIT SIZE / 2 =EVEN
- 7. ターミナルに錫めっきを使用している為、外観に摺動痕が付く場合があります。
THE WOUND OF FRICTION MIGHT ADHERE TO EXTERNALS
BECAUSE THE TIN PLATING IS USED FOR TERMINAL.
- 8. 梱包仕様書: SPK-501645-001
PACKING INFORMATION : SPK-501645-001
- 9. 発注番号 : SHEET 3 参照
ORDER No. : PLEASE REFER TO SHEET 3 FOR PRODUCT LIST

501645 **2*

| | |
|--------------------|------------------------------|
| 極数 CIRCUIT SIZE | ハウジングカラー HOUSING COLOR |
| | 0:ナチュラル NATURAL (白 WHITE) |
| | 1:黒 BLACK |
| | 2:赤 RED |
| | 4:青 BLUE |
| | 6:緑 GREEN |



嵌合状態図
MATED CONNECTORS



基板取付穴推奨寸法(マウント面)

POLARIZED RECOMMENDED PCB LAYOUT HOLE DIMENSION (MOUNTING SIDE)

参考基板厚 t=1.2~1.6

REFERENCE PCB THICKNESS t=1.2~1.6

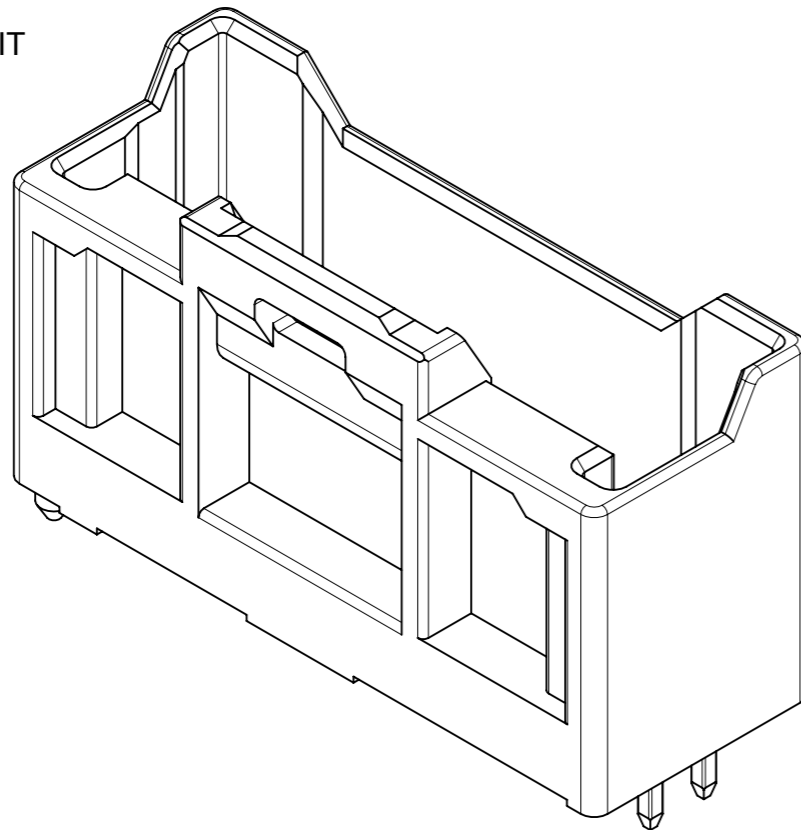
| | | | | | |
|---|--------------|------------------------------|---------|---|-----------------|
| THIS DRAWING CONTAINS INFORMATION THAT IS PROPRIETARY TO MOLEX ELECTRONIC TECHNOLOGIES, LLC AND SHOULD NOT BE USED WITHOUT WRITTEN PERMISSION | | CURRENT REV DESC: | | molex | |
| DIMENSION UNITS mm | SCALE NTS | | | | |
| GENERAL TOLERANCES (UNLESS SPECIFIED) | | EC NO: 732484 | | IGRID 2.0 PLUG ASSEMBLY VERTICAL TIN PLATING | |
| ANGULAR TOL ± 3.0 ° | | DRWN: SNAKAMURA08 2022/12/15 | | PRODUCT CUSTOMER DRAWING | |
| 4 PLACES ± 0.2 | | CHK'D: KOMURAKAMI 2023/03/03 | | DOCUMENT NUMBER | |
| 3 PLACES ± 0.2 | | APPR: SAKIYAMA 2023/03/03 | | 5016450000-SD | |
| 2 PLACES ± 0.2 | | INITIAL REVISION: | | DOC TYPE | |
| 1 PLACE ± 0.2 | | DRWN: SNAKAMURA08 2019/05/09 | | PSD | |
| 0 PLACES ± 0.2 | | APPR: KOMURAKAMI 2019/05/24 | | 000 | |
| DRAFT WHERE APPLICABLE MUST REMAIN WITHIN DIMENSIONS | | THIRD ANGLE PROJECTION | DRAWING | SERIES | MATERIAL NUMBER |
| | | | A3-SIZE | 501645 | SEE SHEET 3 |
| | | | | CUSTOMER | GENERAL |
| | | | | | SHEET NUMBER |
| | | | | | 2 OF 3 |

製品形状
PRODUCT SHAPE

10, 12極
10, 12CIRCUIT



14 - 40 極
14 - 40 CIRCUIT



△ 9 製品一覧 PRODUCT LIST

| 緑: GREEN | 青: BULE | 赤: RED | 黒 : BLACK | ナチュラル : NATURAL (白 : WHITE) | HOUSING COLOR |
|------------------------|-------------|-------------|-------------|--------------------------------|---------------|
| 501645 4026 | 501645 4024 | 501645 4022 | 501645 4021 | 501645 4020 | 40 |
| ↑ 3826 | ↑ 3824 | ↑ 3822 | ↑ 3821 | ↑ 3820 | 38 |
| 3626 | 3624 | 3622 | 3621 | 3620 | 36 |
| 3426 | 3424 | 3422 | 3421 | 3420 | 34 |
| 3226 | 3224 | 3222 | 3221 | 3220 | 32 |
| 3026 | 3024 | 3022 | 3021 | 3020 | 30 |
| 2826 | 2824 | 2822 | 2821 | 2820 | 28 |
| 2626 | 2624 | 2622 | 2621 | 2620 | 26 |
| 2426 | 2424 | 2422 | 2421 | 2420 | 24 |
| 2226 | 2224 | 2222 | 2221 | 2220 | 22 |
| 2026 | 2024 | 2022 | 2021 | 2020 | 20 |
| 1826 | 1824 | 1822 | 1821 | 1820 | 18 |
| 1626 | 1624 | 1622 | 1621 | 1620 | 16 |
| ↓ 1426 | ↓ 1424 | ↓ 1422 | ↓ 1421 | ↓ 1420 | 14 |
| ↓ 1226 | ↓ 1224 | ↓ 1222 | ↓ 1221 | ↓ 1220 | 12 |
| 501645 1026 | 501645 1024 | 501645 1022 | 501645 1021 | 501645 1020 | 10 |
| 発注番号 ORDER No. | | | | | 極数 |
| PACKAGING STYLE : TRAY | | | | | CIRCUIT SIZE |

THIS DRAWING CONTAINS INFORMATION THAT IS PROPRIETARY TO MOLEX ELECTRONIC TECHNOLOGIES, LLC AND SHOULD NOT BE USED WITHOUT WRITTEN PERMISSION

| | | | | | | |
|--|----------------|------------------------------|-----------|--------------------------|----------|--------------|
| DIMENSION UNITS mm | SCALE NTS | CURRENT REV DESC: | | molex | | |
| GENERAL TOLERANCES (UNLESS SPECIFIED) | | EC NO: 732484 | | | | |
| ANGULAR TOL ± 3.0 ° | 4 PLACES ± 0.2 | DRWN: SNAKAMURA08 2022/12/15 | | PRODUCT CUSTOMER DRAWING | | |
| 3 PLACES ± 0.2 | 2 PLACES ± 0.2 | CHK'D: KOMURAKAMI 2023/03/03 | | DOCUMENT NUMBER | | |
| 1 PLACE ± 0.2 | 0 PLACES ± 0.2 | APPR: SAKIYAMA 2023/03/03 | | 5016450000-SD | | |
| INITIAL REVISION: | | DRWN: SNAKAMURA08 2019/05/09 | | DOC TYPE | DOC PART | REVISION |
| DRAFT WHERE APPLICABLE MUST REMAIN WITHIN DIMENSIONS | | APPR: KOMURAKAMI 2019/05/24 | | PSD | 000 | E |
| THIRD ANGLE PROJECTION | | DRAWING | SERIES | CUSTOMER | | SHEET NUMBER |
| A3-SIZE | | 501645 | SEE CHART | GENERAL | | 3 OF 3 |