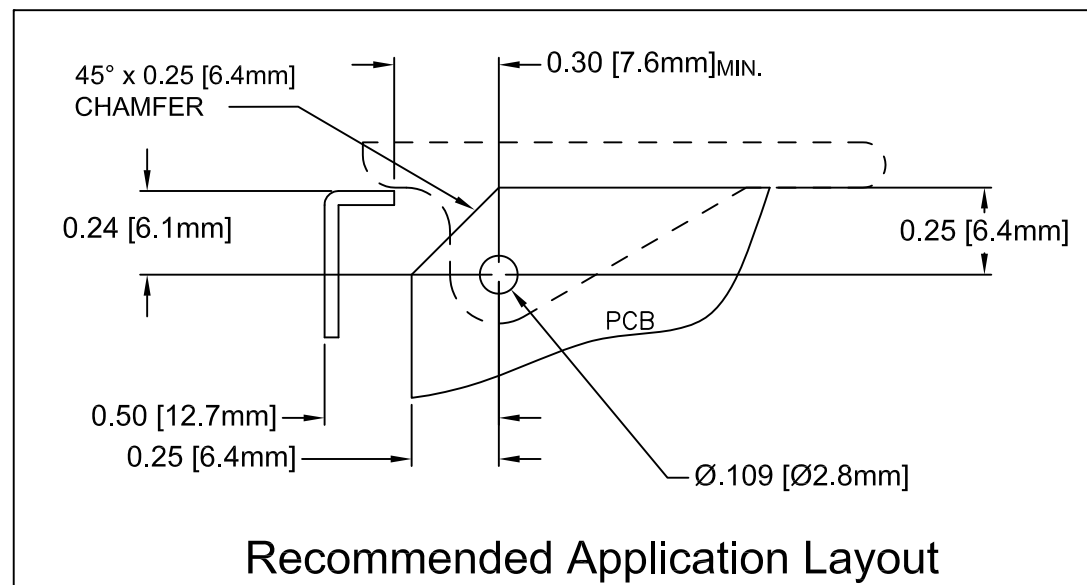
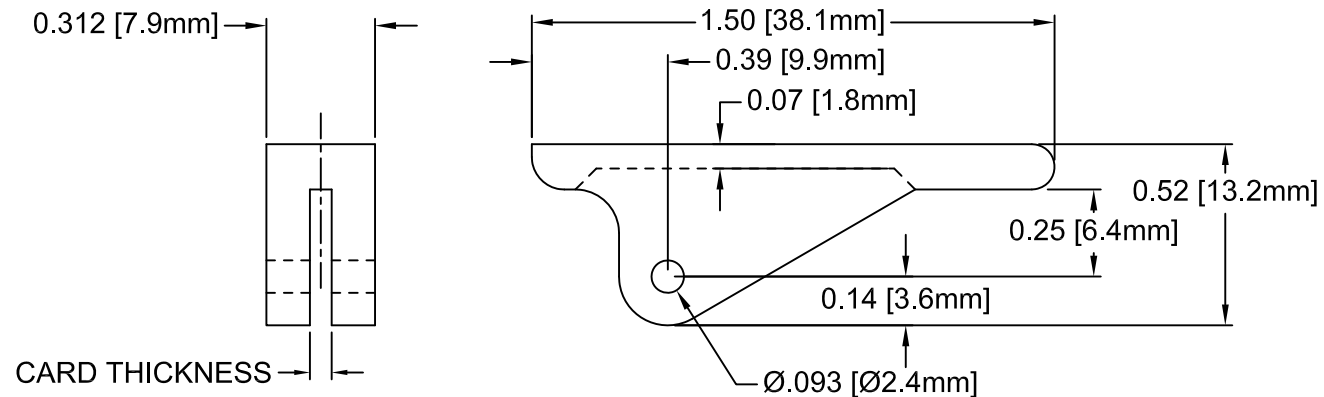



REV.	DESCRIPTION	DATE	APPROVED
B	Engineering Update w/o Changes	02/24/04	M. C.
C	Removed Part From Part Offering List	09/29/15	J. C.



PART NO.	CARD THICK.
CP-56	1/16"(1.6mm)
CP-59	3/32"(2.4mm)

2. MATERIAL: NYLON 6/6, 94V-2, WHITE. BIVAR MATERIAL CODE 04-WE.
 BASF ULTRAMID NYLON 6/6 A3K WHITE.

1. GENERAL SPECIFICATIONS: BIVAR MOLDED COMPONENT SPECIFICATION BV00-E101.

STANDARD TOLERANCE (UNLESS OTHERWISE SPECIFIED)		 4 THOMAS, IRVINE, CA. 92618 TEL: (949) 951-8808 FAX: (949) 951-3974
DECIMALS	ANGULAR	
.X ±.1	X° ± 1°	TITLE: CIRCUIT BOARD CARD EJECTOR PART NO: CP-5XX REVISION: C
.XX ±.01		
.XXX ±.005		
DESIGNED: David Green	DATE: 10/17/02	CAGE CODE : 32559 SHEET # 1 OF 1 <small>CAD GENERATED DOCUMENT, DO NOT MEASURE DRAWING.</small>
CHECKED: M. Chen	DATE: 10/17/02	