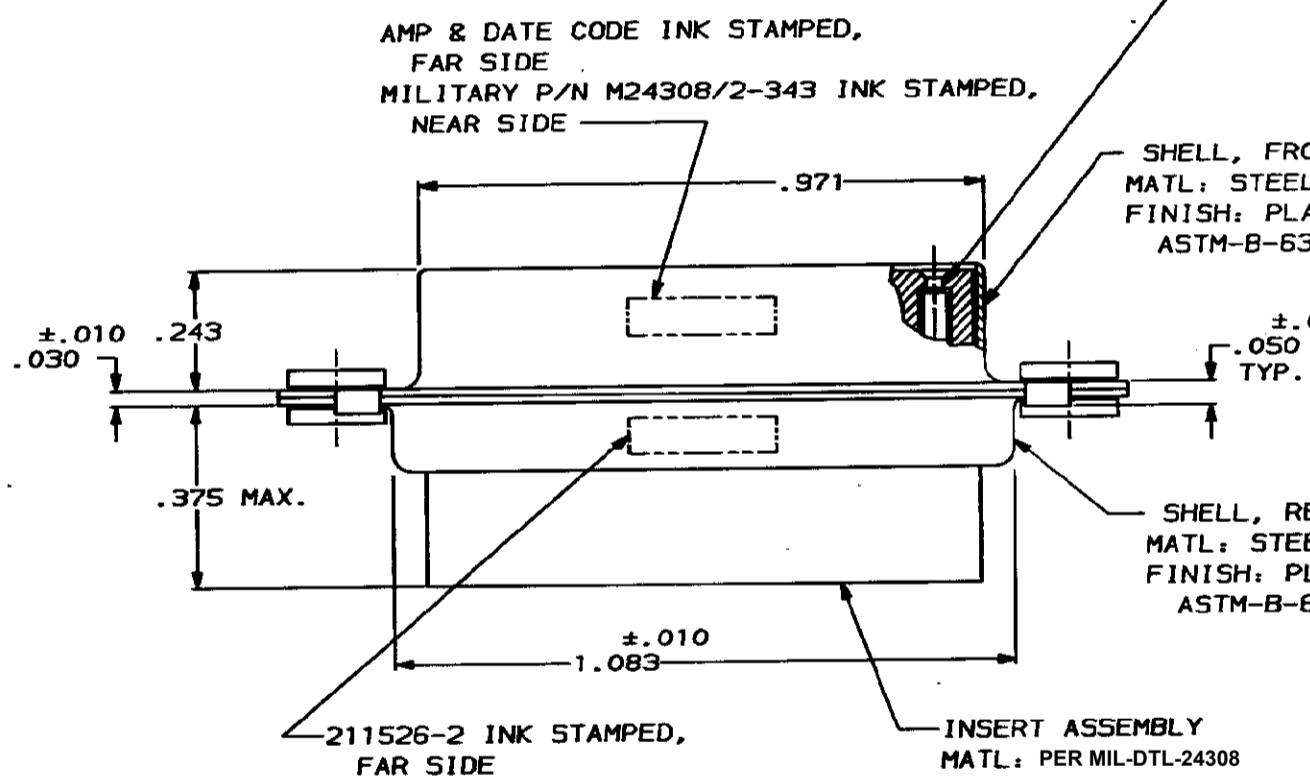
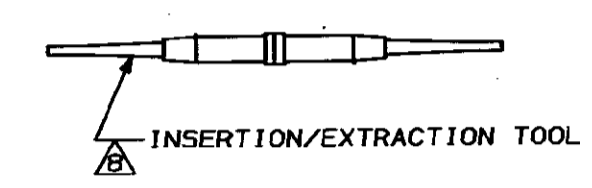
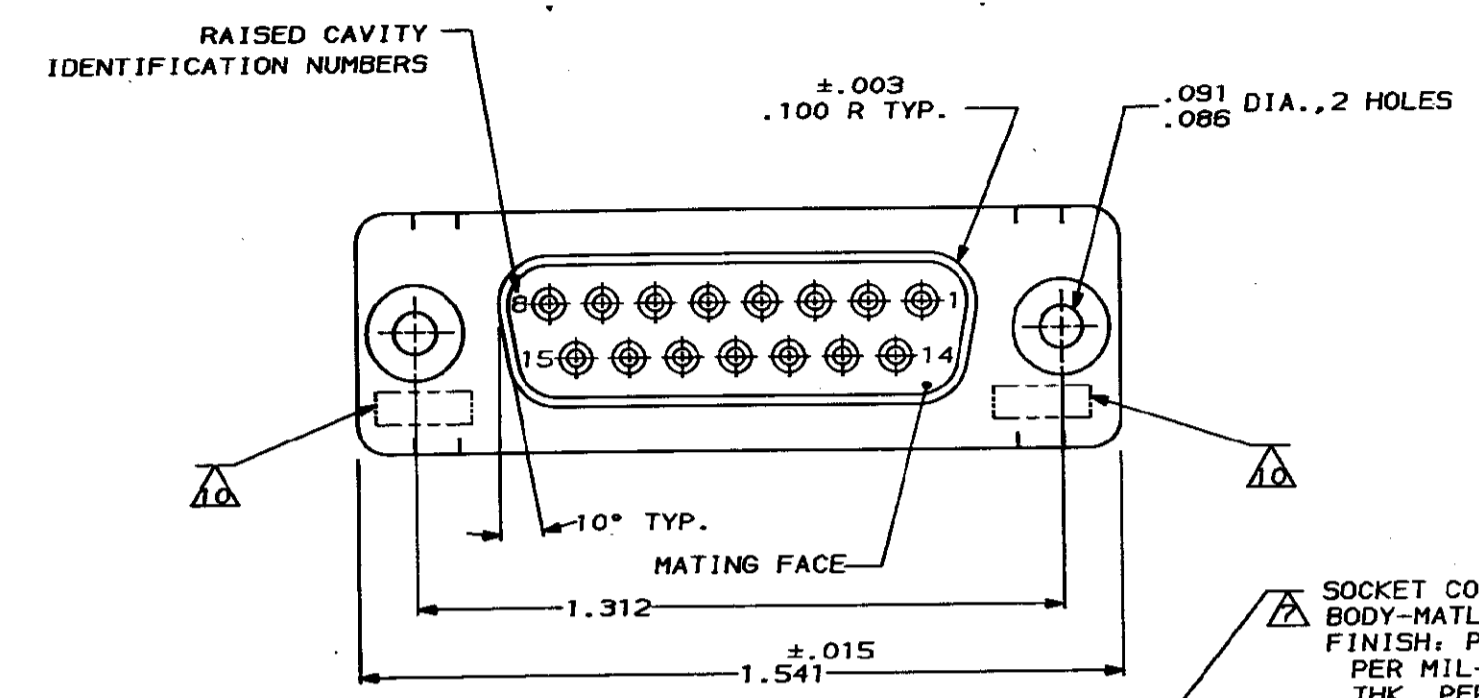
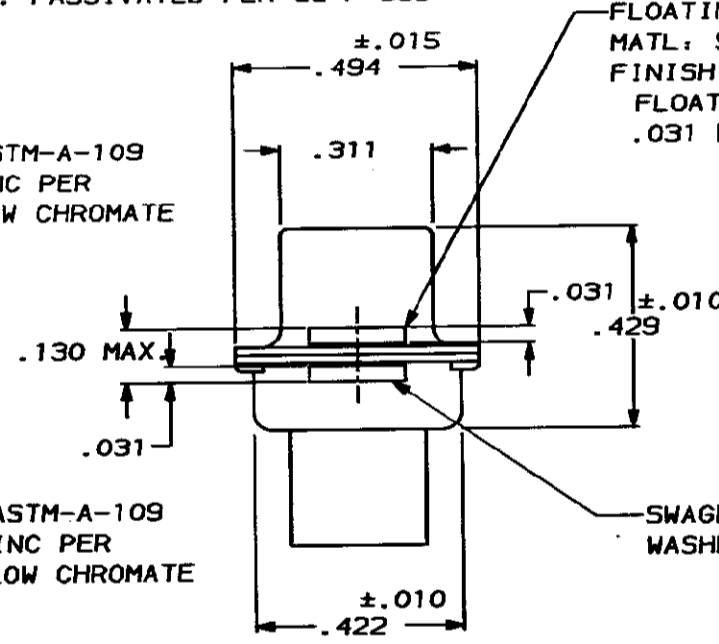


PRG	LOC	DTST	REVISIONS					
5066	DF	DO	ZONE	LTR	DESCRIPTION	DATE	APPD	
					0	RELEASED	7/1/85	DE
					A	REV-ECN DF-1034	MC	2-10-88
					B	REV PER ECO-15-005914	KG	28MAY15



SOCKET CONTACT, SIZE 20, 15 REQ'D.
 BODY-MATL: BERYLLIUM COPPER PER QQ-C-530
 FINISH: PLATED GOLD .000050 MIN. THK.
 PER MIL-G-45204 OVER COPPER .000100 MIN.
 THK. PER MIL-C-14550
 HOOD-MAT'L: STAINLESS STEEL PER QQ-S-766
 FINISH: PASSIVATED PER QQ-P-35B



FLOATING BUSHING/WASHER, 2 REQ'D.
 MATL: STAINLESS STEEL PER ASTM-A-582
 FINISH: PASSIVATED PER QQ-P-35B
 FLOATS .008 ±.004 VERTICALLY &
 .031 HORIZONTALLY

- THIS RECEPTACLE WILL MATE WITH ANY 15 POSN., SIZE 2 PLUG IN AMPLIMITE SERIES.
 - MAXIMUM WIRE INSULATION TO BE USED WITH THIS RECEPTACLE IS .068 DIA.
 - SST RETENTION CLIPS ARE INCLUDED IN INSERTS.
- △ PACKAGE STAMPED M24308/2-483 & AMP P/N 211526-1
 - △ PACKAGE STAMPED M24308/2-343 & AMP P/N 211526-2
 - △ PACKAGE STAMPED M24308/2-354 & AMP P/N 211526-3
 - △ AMP P/N 205090-1; MIL P/N 63-368, INCLUDED IN KIT.
 - △ AMP P/N 91067-2; MIL P/N M81969/1-02.
 - △ CONNECTOR SUPPLIED WITHOUT CONTACTS, SHOWN FOR ILLUSTRATION ONLY.
 - △ UL/CSA DESIGNATION STAMPED IN THIS AREA.

SAME AS -1 EXCEPT: △ △ △	211526-3
SAME AS -1 EXCEPT: △ △	211526-2
AS SHOWN △ △	211526-1

DO NOT SCALE PRINT. UNLESS SPECIFIED DIMENSIONS IN INCHES. TOLERANCES ON:		DR 7-1-85 D. ERDMAN	
2 PLC DEC ±		CHK 9-18-85 R. GRZYBOWSKI	
3 PLC DEC ± .005		APPD 9-20-85 L. ROPIER	
ANGLES ± 0°30'		APPD 9-25-85 G. SACUNAS	
MATERIAL	SEE CALLOUT	PRODUCT SPEC	
FINISH	SEE CALLOUT	APPLICATION SPEC	
WEIGHT			

AMP INCORPORATED Harrisburg, Pa. 17105	
RECEPTACLE ASS'Y., AMPLIMITE 15 POSN., SIZE 2, SERIES 109, W/DUAL FLOAT BUSHINGS	
SIZE	D
FSCM NO	00779
DRAWING NO	211526
SCALE	NTS
SHEET	1 OF 1