

GlobTek, Inc. www.globtek.com 186 Veterans Drive, Northvale, NJ 07647 Tel. (201) 784-1000 Fax (201) 784-0111	Drawing Title: USB A MALE to USB C MALE 3.0 Straight 10K Res USB Type-C plug connector with dual locking screws Mold#USB00019 compliant with Directive (EU) 2022/2380 and 2014/53/EU Radio Equipment Directive (RED), GT Cable #UL 2725 BK (32AWG*1P+D+AL/MY)*2P+32AWG*1P+24AWG*2C+AB OD:4.3: SEE CODE / 8 Conductors, 4.3mm OD, UL 2725, 80 Deg.C, 30V, RED/WHITE/GREEN/BLACK/YELLOW/BLUE/PURPLE/ORANGE, Approvals: , 3000mm, GlobTek Black	
	Model No. Low voltage cable	
	Part No./Ordering No. USBAW3M0USBC2SBK	Rev A

CUSTOMIZED LENGTHS, COLORS, CABLE TYPES, TERMINATIONS/PLUGS/RECEPTACLES AVAILABLE UPON REQUEST. ADDITIONAL PLUG OPTIONS ARE AVAILABLE AT <https://www.globtek.com/connectors/> STANDARD PLUGS AND CONNECTORS CAN BE SEEN ONLINE AT <https://www.globtek.com/connectors/> ACTUAL CONNECTORS, OVERMOLDS, FERRITES MAY VARY SLIGHTLY FROM THE PICTURE BELOW DIMENSIONS ARE IN MM UNLESS SPECIFIED OTHERWISE

In Addition to GlobTek Inc.'s renewed ISO9001:2008 - Quality Management System Certification, GlobTek Inc. is now certified to:

- ISO13485:2003 - Medical Devices Quality Management System Certification
- ISO14001:2004 - Environmental Management System Certification

ISO Certificates are available online at <https://www.globtek.com/iso-certificates/>
 Prop 65 Statement: <https://en.globtek.com/prop-65-statement.pdf>

The acceptance of this specification and use of the product described in this document indicates the acceptance and binding of the customer to Globtek TERMS AND CONDITIONS (attached to the end of this document), which supersede all other agreements, terms, and conditions (<https://en.globtek.com/terms-and-conditions/>).

The purchaser of this product (Customer) agrees that it is their sole responsibility to determine suitability/fitness of the product described in this specification for their application and to take precautions for protection against any hazards attendant to the handling and use of the product.

Footnote:

GlobTek Inc. will not be liable for the safety and performance of these power supplies if unauthorized access and repair occurs. End user should consult applicable UL, CSA or EN standards for proper installation instruction.

Limitation of Use:

GlobTek products are intended for use with commercial, medical, and/or industrial equipment only. GlobTek product are not authorized for use as mission critical components in life support hazardous environment, nuclear or aircraft applications without prior written approval from the CEO of GlobTek Inc.
 Contents of this document are subject to change without prior notice.

Customer Approval of Specification:

Please approve, sign and send back to GlobTek so we can complete order processing.
 A delay in receipt of this form will delay delivery schedule.

Company Name: _____	Customer P/N: _____
Quote Number: _____	Date: _____
Authorized Representative Name: _____	Authorized Representative Signature: _____

GlobTek, Inc. www.globtek.com 186 Veterans Drive, Northvale, NJ 07647 Tel. (201) 784-1000 Fax (201) 784-0111	Drawing Title: USB A MALE to USB C MALE 3.0 Straight 10K Res USB Type-C plug connector with dual locking screws Mold#USB00019 compliant with Directive (EU) 2022/2380 and 2014/53/EU Radio Equipment Directive (RED), GT Cable #UL 2725 BK (32AWG*1P+D+AL/MY)*2P+32AWG*1P+24AWG*2C+AB OD:4.3: SEE CODE / 8 Conductors, 4.3mm OD, UL 2725, 80 Deg.C, 30V, RED/WHITE/GREEN/BLACK/YELLOW/BLUE/PURPLE/ORANGE, Approvals: , 3000mm, GlobTek Black	
	Model No. Low voltage cable	Part No./Ordering No. USBAW3M0USBC2SBK
		Rev A

CUSTOMIZED LENGTHS, COLORS, CABLE TYPES, TERMINATIONS/PLUGS/RECEPTACLES AVAILABLE UPON REQUEST. ADDITIONAL PLUG OPTIONS ARE AVAILABLE AT <https://www.globtek.com/connectors/> STANDARD PLUGS AND CONNECTORS CAN BE SEEN ONLINE AT <https://www.globtek.com/connectors/> ACTUAL CONNECTORS, OVERMOLDS, FERRITES MAY VARY SLIGHTLY FROM THE PICTURE BELOW DIMENSIONS ARE IN MM UNLESS SPECIFIED OTHERWISE

REVISION HISTORY

REV	DESCRIPTION	SUB	DATE	APPROVED
A	Initial release	jwarn	02/17/2021	JOHN

Cordset Information:

CordsetColor:GlobTek Black

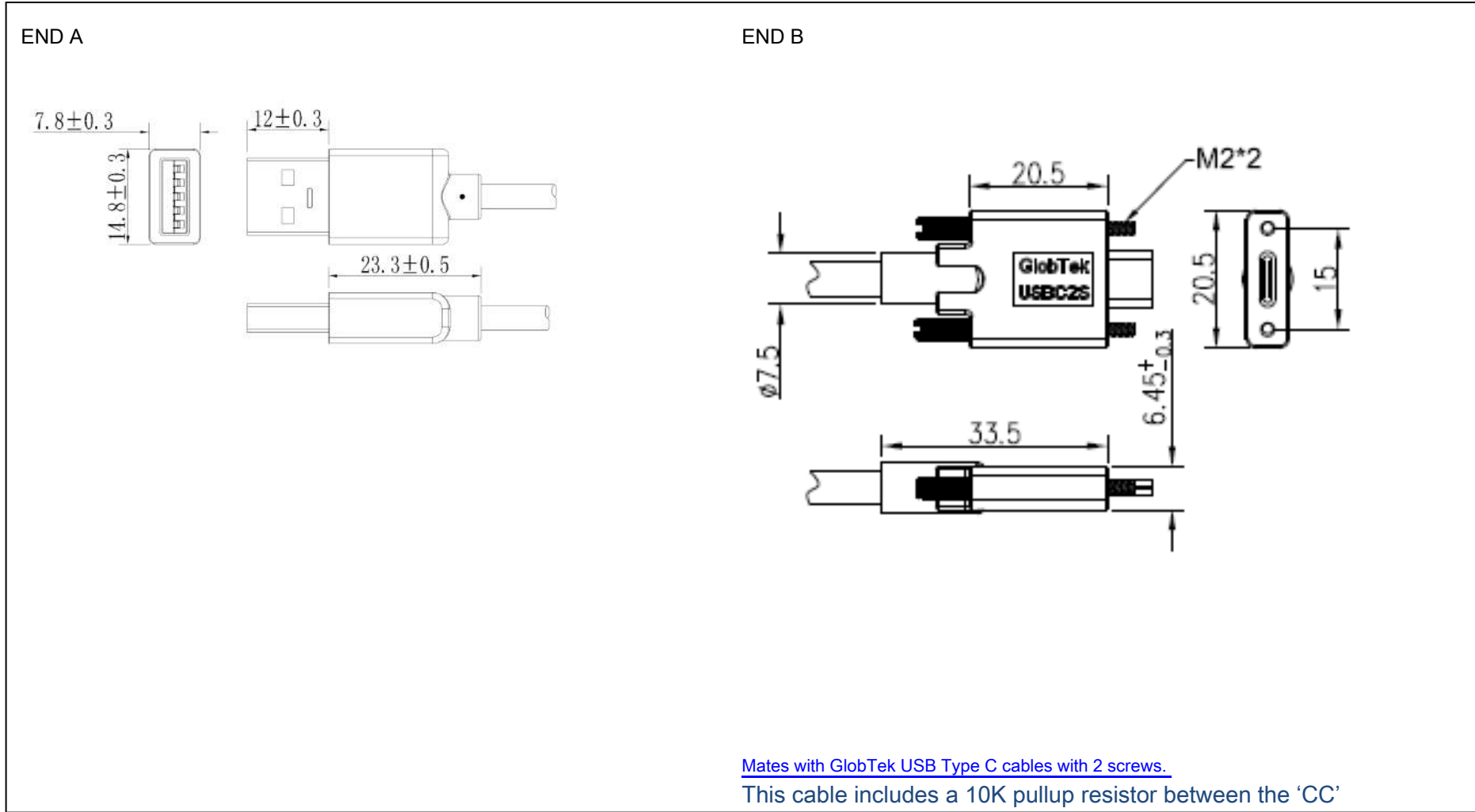
Cord Length (mm):3000

NOTES:

Cord, Plug and Connector must be marked with approval symbols of file number(s)

GlobTek, Inc. www.globtek.com 186 Veterans Drive, Northvale, NJ 07647 Tel. (201) 784-1000 Fax (201) 784-0111	Drawing Title: USB A MALE to USB C MALE 3.0 Straight 10K Res USB Type-C plug connector with dual locking screws Mold#USB00019 compliant with Directive (EU) 2022/2380 and 2014/53/EU Radio Equipment Directive (RED), GT Cable #UL 2725 BK (32AWG*1P+D+AL/MY)*2P+32AWG*1P+24AWG*2C+AB OD:4.3: SEE CODE / 8 Conductors, 4.3mm OD, UL 2725, 80 Deg.C, 30V, RED/WHITE/GREEN/BLACK/YELLOW/BLUE/PURPLE/ORANGE, Approvals: , 3000mm, GlobTek Black	
	Model No. Low voltage cable	Part No./Ordering No. USBAW3M0USBC2SBK
		Rev A

CUSTOMIZED LENGTHS, COLORS, CABLE TYPES, TERMINATIONS/PLUGS/RECEPTACLES AVAILABLE UPON REQUEST. ADDITIONAL PLUG OPTIONS ARE AVAILABLE AT <https://www.globtek.com/connectors/> STANDARD PLUGS AND CONNECTORS CAN BE SEEN ONLINE AT <https://www.globtek.com/connectors/> ACTUAL CONNECTORS, OVERMOLDS, FERRITES MAY VARY SLIGHTLY FROM THE PICTURE BELOW DIMENSIONS ARE IN MM UNLESS SPECIFIED OTHERWISE



<p>GlobTek, Inc. www.globtek.com 186 Veterans Drive, Northvale, NJ 07647 Tel. (201) 784-1000 Fax (201) 784-0111</p>	<p>Drawing Title: USB A MALE to USB C MALE 3.0 Straight 10K Res USB Type-C plug connector with dual locking screws Mold#USB00019 compliant with Directive (EU) 2022/2380 and 2014/53/EU Radio Equipment Directive (RED), GT Cable #UL 2725 BK (32AWG*1P+D+AL/MY)*2P+32AWG*1P+24AWG*2C+AB OD:4.3: SEE CODE / 8 Conductors, 4.3mm OD, UL 2725, 80 Deg.C, 30V, RED/WHITE/GREEN/BLACK/YELLOW/BLUE/PURPLE/ORANGE, Approvals: , 3000mm, GlobTek Black</p>
<p>Model No. Low voltage cable</p>	
<p>Part No./Ordering No. USBAW3M0USBC2SBK</p>	<p>Rev A</p>

CUSTOMIZED LENGTHS, COLORS, CABLE TYPES, TERMINATIONS/PLUGS/RECEPTACLES AVAILABLE UPON REQUEST. ADDITIONAL PLUG OPTIONS ARE AVAILABLE AT <https://www.globtek.com/connectors/> STANDARD PLUGS AND CONNECTORS CAN BE SEEN ONLINE AT <https://www.globtek.com/connectors/> ACTUAL CONNECTORS, OVERMOLDS, FERRITES MAY VARY SLIGHTLY FROM THE PICTURE BELOW DIMENSIONS ARE IN MM UNLESS SPECIFIED OTHERWISE

line and 'V_{BUS}'. For systems compliant with the USB Type-C Cable and Connector Specification, the cable current will be restricted to 3.0A.

WARNING: The power supply's current rating **MUST** be

<p>GlobTek, Inc. www.globtek.com 186 Veterans Drive, Northvale, NJ 07647 Tel. (201) 784-1000 Fax (201) 784-0111</p>	<p>Drawing Title: USB A MALE to USB C MALE 3.0 Straight 10K Res USB Type-C plug connector with dual locking screws Mold#USB00019 compliant with Directive (EU) 2022/2380 and 2014/53/EU Radio Equipment Directive (RED), GT Cable #UL 2725 BK (32AWG*1P+D+AL/MY)*2P+32AWG*1P+24AWG*2C+AB OD:4.3: SEE CODE / 8 Conductors, 4.3mm OD, UL 2725, 80 Deg.C, 30V, RED/WHITE/GREEN/BLACK/YELLOW/BLUE/PURPLE/ORANGE, Approvals: , 3000mm, GlobTek Black</p>
	<p>Model No. Low voltage cable</p>
	<p>Part No./Ordering No. USBAW3M0USBC2SBK Rev A</p>

CUSTOMIZED LENGTHS, COLORS, CABLE TYPES, TERMINATIONS/PLUGS/RECEPTACLES AVAILABLE UPON REQUEST. ADDITIONAL PLUG OPTIONS ARE AVAILABLE AT <https://www.globtek.com/connectors/> STANDARD PLUGS AND CONNECTORS CAN BE SEEN ONLINE AT <https://www.globtek.com/connectors/> ACTUAL CONNECTORS, OVERMOLDS, FERRITES MAY VARY SLIGHTLY FROM THE PICTURE BELOW DIMENSIONS ARE IN MM UNLESS SPECIFIED OTHERWISE

**≥3.0A to prevent permanent equipment damage and
overheating which may result in fire.**

GlobTek, Inc. www.globtek.com 186 Veterans Drive, Northvale, NJ 07647 Tel. (201) 784-1000 Fax (201) 784-0111	Drawing Title: USB A MALE to USB C MALE 3.0 Straight 10K Res USB Type-C plug connector with dual locking screws Mold#USB00019 compliant with Directive (EU) 2022/2380 and 2014/53/EU Radio Equipment Directive (RED), GT Cable #UL 2725 BK (32AWG*1P+D+AL/MY)*2P+32AWG*1P+24AWG*2C+AB OD:4.3: SEE CODE / 8 Conductors, 4.3mm OD, UL 2725, 80 Deg.C, 30V, RED/WHITE/GREEN/BLACK/YELLOW/BLUE/PURPLE/ORANGE, Approvals: , 3000mm, GlobTek Black	
	Model No. Low voltage cable	Part No./Ordering No. USBAW3M0USBC2SBK
		Rev A

CUSTOMIZED LENGTHS, COLORS, CABLE TYPES, TERMINATIONS/PLUGS/RECEPTACLES AVAILABLE UPON REQUEST. ADDITIONAL PLUG OPTIONS ARE AVAILABLE AT <https://www.globtek.com/connectors/> STANDARD PLUGS AND CONNECTORS CAN BE SEEN ONLINE AT <https://www.globtek.com/connectors/> ACTUAL CONNECTORS, OVERMOLDS, FERRITES MAY VARY SLIGHTLY FROM THE PICTURE BELOW DIMENSIONS ARE IN MM UNLESS SPECIFIED OTHERWISE

End A Code:USBAM-5A Description:USB A MALE Rating (V):30 Rating (A):5.0 Gender:Male Overmolded:Yes	Cable Code:UL 2725 BK (32AWG*1P+D+AL/MY)*2P+32AWG*1P+24AWG*2C+AB OD:4.3 Description:GT Cable #UL 2725 BK (32AWG*1P+D+AL/MY)*2P+32AWG*1P+24AWG*2C+AB OD:4.3: compliant with Directive (EU) 2022/2380 and 2014/53/EU SEE CODE / 8 Conductors, 4.3mm OD, UL 2725, 80 Deg.C, 30V, Radio Equipment Directive (RED) RED/WHITE/GREEN/BLACK/YELLOW/BLUE/PURPLE/ORANGE,Rating (V):30 Approvals: Color:GlobTek Black Wire Gauge(AWG):SEE CODE Cond:8 Type:UL 2725 Temperature:80° C Amps:3 Volts:30 OD:4.3 ConductorsColors: RED/WHITE/GREEN/BLACK/YELLOW/BLUE/PURPLE/ORANGE	End B Code:USBCM3.0-10K-2 Screw Straight Description:USB C MALE 3.0 Straight 10K Res USB Type-C plug connector with dual locking screws Mold#USB00019 Rating (V):30 Rating (A):5.0 Gender:Male Overmolded:Yes
--	---	--

Overall cable rating:3A/20V

Plug Approvals	Cable Approvals	Connector Approvals
----------------	-----------------	---------------------



UL RECOGNIZED

AGENCY ONLINE DOCUMENTS	http://www.globtek.info/certs/USB%20cables/
RoHS/RoHS3 Declaration	https://www.globtek.com/pdf/rohs_cert/01t3a000005D9VaAAK
REACH Declaration	https://www.globtek.com/pdf/iso_certificates/REACH.pdf
Conflict Minerals Declaration	https://www.globtek.com/pdf/conflict-minerals.pdf
Prop 65 Statement	https://en.globtek.com/prop-65-statement.pdf
CE.UKCA.Cord	https://globtek.secure.force.com/spec/ec_decl_product_model_family_incl_cord?id=01t3a000005D9Va

PROPRIETARY INFORMATION

PROPRIETARY OF GLOBTEK, INC. ANY REPRODUCTION, DISCLOSURE OR USE OF THIS DRAWING, IN WHOLE OR IN PART, IS HEREBY PROHIBITED EXCEPT AS SPECIFIED IN WRITING BY GLOBTEK, INC. © GlobTek, Inc. 2021 - 2023

quest /10/10/2023 4:07:36 PM

GlobTek, Inc. www.globtek.com 186 Veterans Drive, Northvale, NJ 07647 Tel. (201) 784-1000 Fax (201) 784-0111	Drawing Title: USB A MALE to USB C MALE 3.0 Straight 10K Res USB Type-C plug connector with dual locking screws Mold#USB00019 compliant with Directive (EU) 2022/2380 and 2014/53/EU Radio Equipment Directive (RED), GT Cable #UL 2725 BK (32AWG*1P+D+AL/MY)*2P+32AWG*1P+24AWG*2C+AB OD:4.3: SEE CODE / 8 Conductors, 4.3mm OD, UL 2725, 80 Deg.C, 30V, RED/WHITE/GREEN/BLACK/YELLOW/BLUE/PURPLE/ORANGE, Approvals: , 3000mm, GlobTek Black	
	Model No. Low voltage cable	Part No./Ordering No. USBAW3M0USBC2SBK
		Rev A

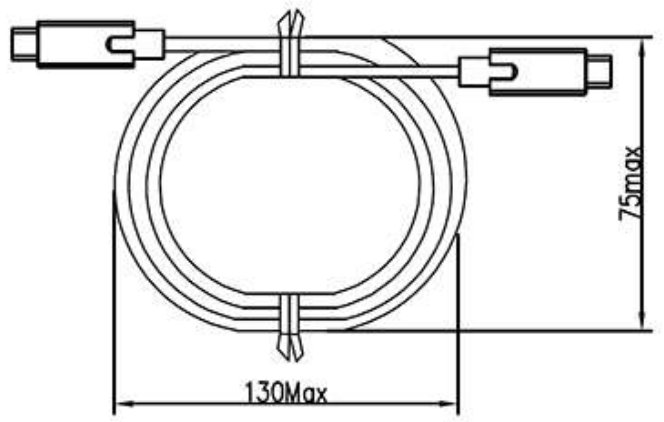
CUSTOMIZED LENGTHS, COLORS, CABLE TYPES, TERMINATIONS/PLUGS/RECEPTACLES AVAILABLE UPON REQUEST. ADDITIONAL PLUG OPTIONS ARE AVAILABLE AT <https://www.globtek.com/connectors/> STANDARD PLUGS AND CONNECTORS CAN BE SEEN ONLINE AT <https://www.globtek.com/connectors/> ACTUAL CONNECTORS, OVERMOLDS, FERRITES MAY VARY SLIGHTLY FROM THE PICTURE BELOW DIMENSIONS ARE IN MM UNLESS SPECIFIED OTHERWISE

IPXY rating is based on 3rd party testing and customers should check suitability and test system level IPXY rating before ordering.

GlobTek, Inc. www.globtek.com 186 Veterans Drive, Northvale, NJ 07647 Tel. (201) 784-1000 Fax (201) 784-0111	Drawing Title: USB A MALE to USB C MALE 3.0 Straight 10K Res USB Type-C plug connector with dual locking screws Mold#USB00019 compliant with Directive (EU) 2022/2380 and 2014/53/EU Radio Equipment Directive (RED), GT Cable #UL 2725 BK (32AWG*1P+D+AL/MY)*2P+32AWG*1P+24AWG*2C+AB OD:4.3: SEE CODE / 8 Conductors, 4.3mm OD, UL 2725, 80 Deg.C, 30V, RED/WHITE/GREEN/BLACK/YELLOW/BLUE/PURPLE/ORANGE, Approvals: , 3000mm, GlobTek Black
	Model No. Low voltage cable Part No./Ordering No. USBAW3M0USBC2SBK Rev A

CUSTOMIZED LENGTHS, COLORS, CABLE TYPES, TERMINATIONS/PLUGS/RECEPTACLES AVAILABLE UPON REQUEST. ADDITIONAL PLUG OPTIONS ARE AVAILABLE AT <https://www.globtek.com/connectors/> STANDARD PLUGS AND CONNECTORS CAN BE SEEN ONLINE AT <https://www.globtek.com/connectors/> ACTUAL CONNECTORS, OVERMOLDS, FERRITES MAY VARY SLIGHTLY FROM THE PICTURE BELOW DIMENSIONS ARE IN MM UNLESS SPECIFIED OTHERWISE

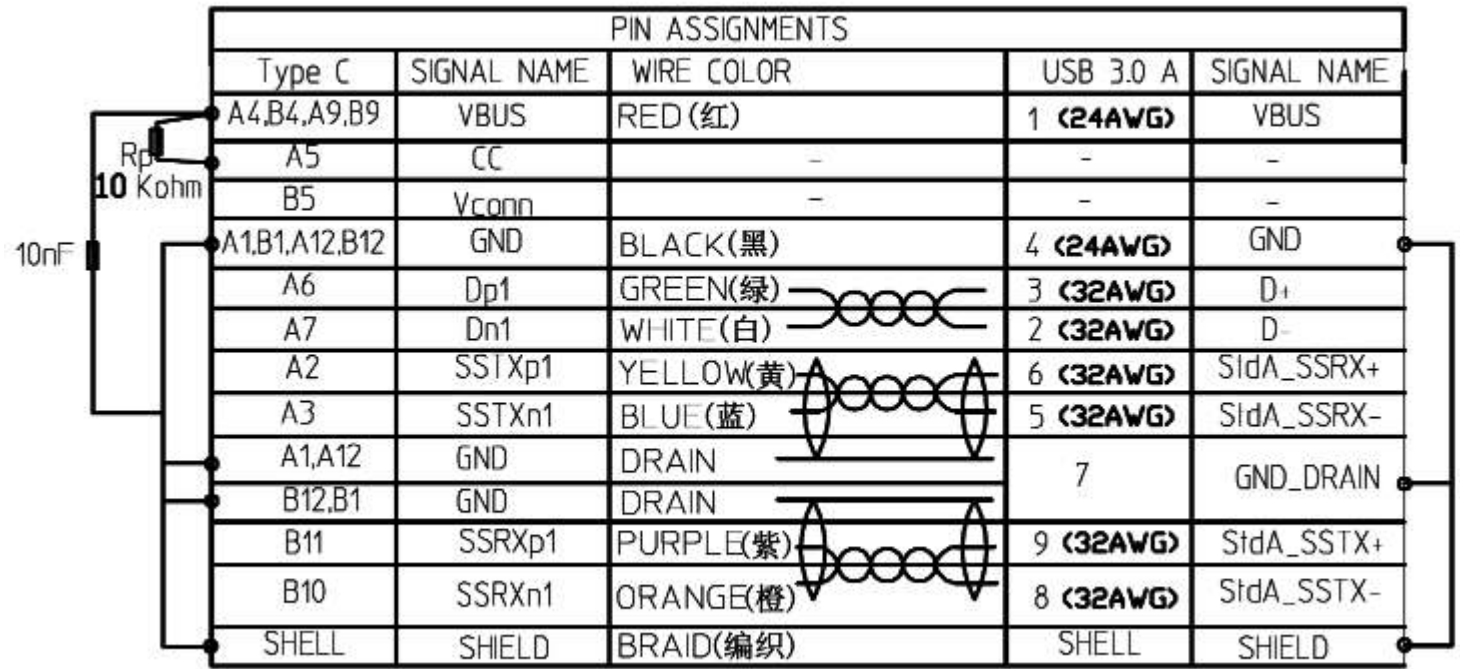
Hanking: 130 COIL USBC
 Description: 130.0 MAX
 Image:



GlobTek, Inc. www.globtek.com 186 Veterans Drive, Northvale, NJ 07647 Tel. (201) 784-1000 Fax (201) 784-0111	Drawing Title: USB A MALE to USB C MALE 3.0 Straight 10K Res USB Type-C plug connector with dual locking screws Mold#USB00019 compliant with Directive (EU) 2022/2380 and 2014/53/EU Radio Equipment Directive (RED), GT Cable #UL 2725 BK (32AWG*1P+D+AL/MY)*2P+32AWG*1P+24AWG*2C+AB OD:4.3: SEE CODE / 8 Conductors, 4.3mm OD, UL 2725, 80 Deg.C, 30V, RED/WHITE/GREEN/BLACK/YELLOW/BLUE/PURPLE/ORANGE, Approvals: , 3000mm, GlobTek Black	
	Model No. Low voltage cable	Part No./Ordering No. USBAW3M0USBC2SBK
		Rev A

CUSTOMIZED LENGTHS, COLORS, CABLE TYPES, TERMINATIONS/PLUGS/RECEPTACLES AVAILABLE UPON REQUEST. ADDITIONAL PLUG OPTIONS ARE AVAILABLE AT <https://www.globtek.com/connectors/> STANDARD PLUGS AND CONNECTORS CAN BE SEEN ONLINE AT <https://www.globtek.com/connectors/> ACTUAL CONNECTORS, OVERMOLDS, FERRITES MAY VARY SLIGHTLY FROM THE PICTURE BELOW DIMENSIONS ARE IN MM UNLESS SPECIFIED OTHERWISE

Notes/Modifications/Customizations (notes in this section supersede the values shown in the standard spec):

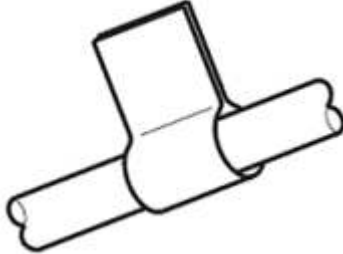


Standard and custom options available with 56K (0.5A), 22K (1.5A), 4.7K, 12K, 36K, or others. Contact GlobTek for more info.

Flag label on cord:

GlobTek, Inc. www.globtek.com 186 Veterans Drive, Northvale, NJ 07647 Tel. (201) 784-1000 Fax (201) 784-0111	Drawing Title: USB A MALE to USB C MALE 3.0 Straight 10K Res USB Type-C plug connector with dual locking screws Mold#USB00019 compliant with Directive (EU) 2022/2380 and 2014/53/EU Radio Equipment Directive (RED), GT Cable #UL 2725 BK (32AWG*1P+D+AL/MY)*2P+32AWG*1P+24AWG*2C+AB OD:4.3: SEE CODE / 8 Conductors, 4.3mm OD, UL 2725, 80 Deg.C, 30V, RED/WHITE/GREEN/BLACK/YELLOW/BLUE/PURPLE/ORANGE, Approvals: , 3000mm, GlobTek Black
	Model No. Low voltage cable Part No./Ordering No. USBAW3M0USBC2SBK Rev A

CUSTOMIZED LENGTHS, COLORS, CABLE TYPES, TERMINATIONS/PLUGS/RECEPTACLES AVAILABLE UPON REQUEST. ADDITIONAL PLUG OPTIONS ARE AVAILABLE AT <https://www.globtek.com/connectors/> STANDARD PLUGS AND CONNECTORS CAN BE SEEN ONLINE AT <https://www.globtek.com/connectors/> ACTUAL CONNECTORS, OVERMOLDS, FERRITES MAY VARY SLIGHTLY FROM THE PICTURE BELOW DIMENSIONS ARE IN MM UNLESS SPECIFIED OTHERWISE



Label contents: WARNING: The power supply's current rating MUST be $\geq 3.0A$ to prevent permanent equipment damage and risk of overheating which may result in fire.