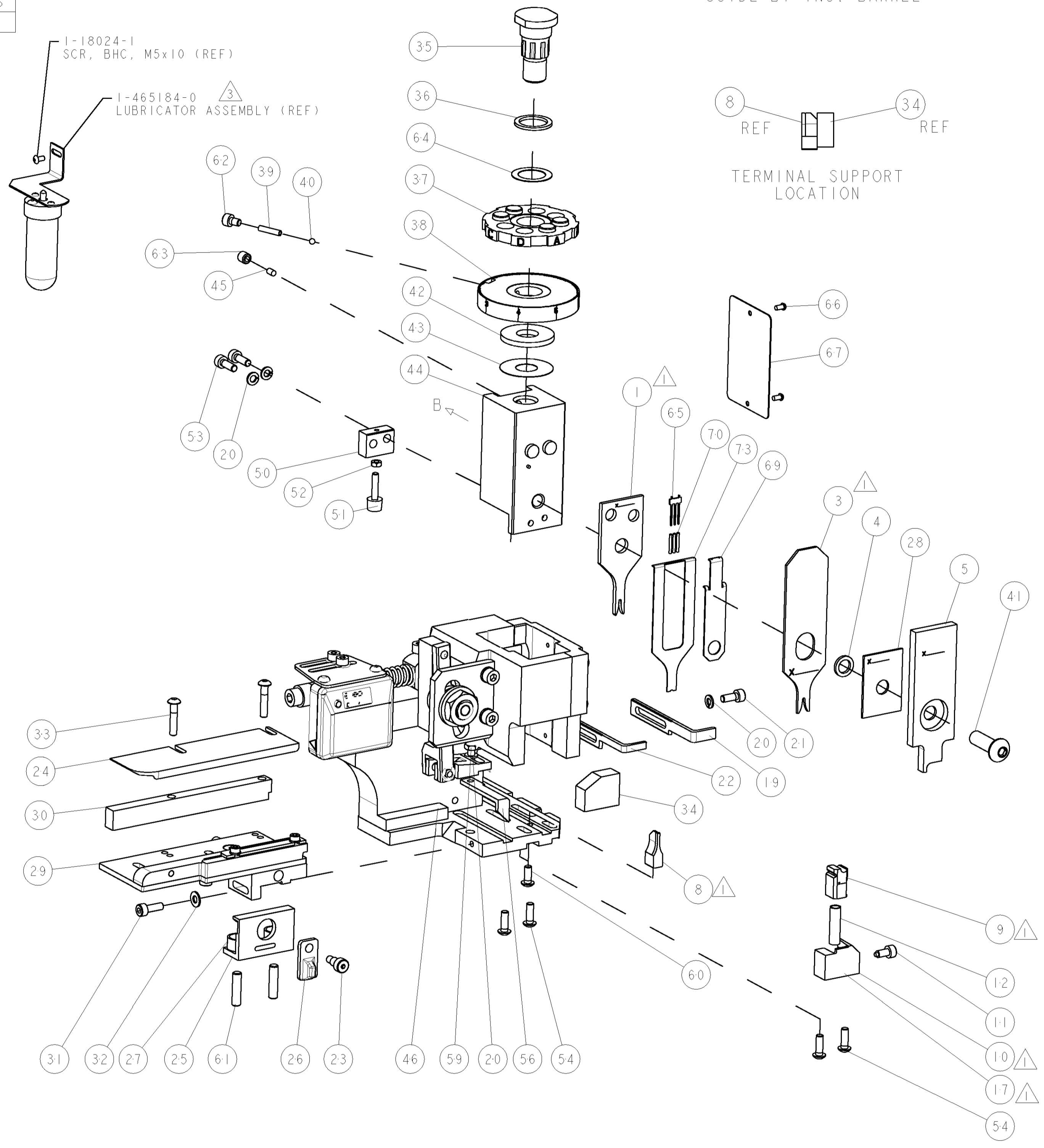


PART NUMBER	REV	TERMINATOR	FEED TYPE	DESCRIPTION
1426560-1	B	LEADMAKER	MECH POST FEED	CUTS CARRIER
1426560-2	B	BENCH	MECH PRE FEED	CUTS CARRIER
1426560-6	B	LEADMAKER	MECH POST FEED	CONTINUOUS CARRIER
7-1426560-1	B	LEADMAKER	MECH POST FEED	-1 AND SPARE PARTS
7-1426560-2	B	BENCH	MECH PRE FEED	-2 AND SPARE PARTS
7-1426560-6	B	LEADMAKER	MECH POST FEED	-6 AND SPARE PARTS
7-1426560-7	A	-	-	SPARE PARTS KIT

CRIMP	SIZE	TYPE	RANGE
WIRE	1.07 [1.042 IN]	F	28-24 AWG
INSUL	1.57 [1.062 IN]	O	1.07-1.30 [1.042-.051 IN]
WIRE STRIP LENGTH	2.79-3.56 [1.110-.140 IN]		APPL INSTRUCTIONS 408-8322
TERMINAL APPL SPEC			FEED 5.59 [1.220 IN]

TYCO P/N	MANUF P/N		
1572816-1	PI10-13V	-	-
1949187-1	SI10-06V	-	-

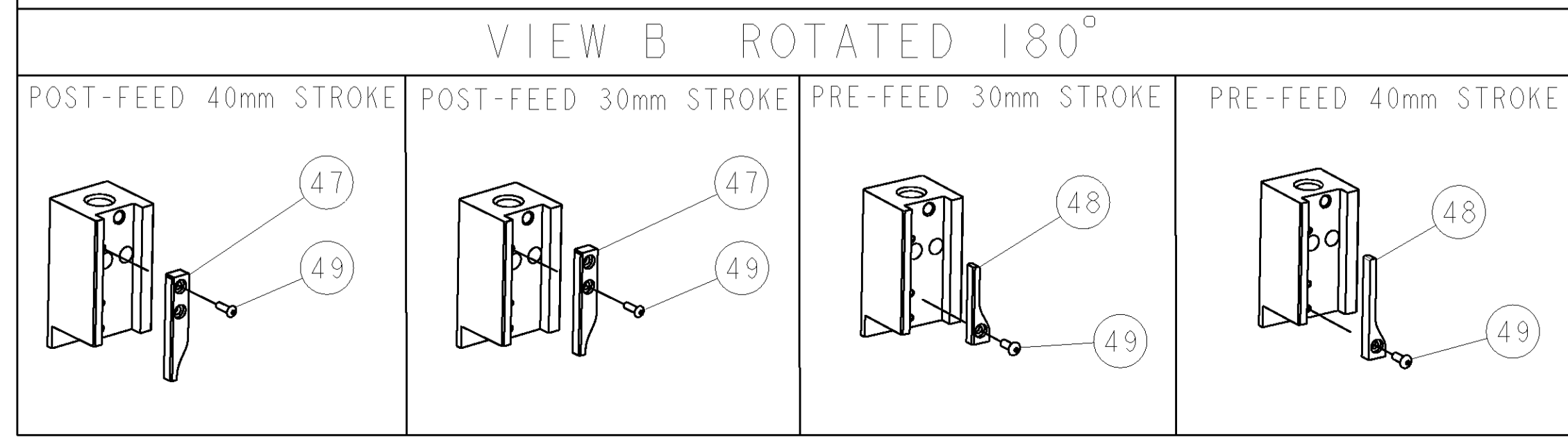
WIRE SIZE	CRIMP HEIGHT	PIN/PN & LENGTH [IN]
24 AWG	0.76 ±0.05 [1.030 ±.002 IN]	5-354779-8 [1.3280]
26 AWG	0.69 ±0.05 [1.027 ±.002 IN]	6-354779-4 [1.3310]



SET UP GAGE
458637-3

REV	DATE	BY	CHK	DESCRIPTION
A	28OCT2005	LJL	MC	SEE ECO-05-012521
B	17OCT2006	LJL	MC	SEE ECR-06-024440

QTY	REV	DATE	BY	CHK	DESCRIPTION	ITEM NO	
-	-	-	-	-	1490525-4	DEPRESSOR, WIRE	73
-	-	-	-	-	-	-	72
-	-	-	-	-	1338705-1	DOCUMENTATION PACKAGE	71
-	3	3	3	3	2-23147-2	SPRING, COMPRESSION	70
-	-	-	-	-	1490524-1	DEPRESSOR, SPACER	69
-	-	-	-	-	-	-	68
-	-	-	-	-	461264-1	PLATE, IDENTIFICATION	67
-	2	2	2	2	21017-2	SCREW, DRIVE	66
-	-	-	-	-	1424350-1	HOLDER, PIN, WIRED	65
-	-	-	-	-	986950-1	WASHER, FLAT PRECISION	64
-	-	-	-	-	3-18031-0	SCR, SET, CUP POINT M6 X 6.0	63
-	-	-	-	-	18023-9	SCR, SKT HD CAP M4 X 6.0	62
-	2	2	2	2	2-18032-5	SCR, SET, FLT POINT M5 X 20.0	61
-	-	-	-	-	18024-7	SCR, BTN SKT HD CAP (M4 X 10.0)	60
-	-	-	-	-	5-18022-2	SCR, HEX HD CAP M4 X 8.0	59
-	-	-	-	-	-	-	58
-	-	-	-	-	-	-	57
-	-	-	-	-	1338685-1	PAWL, FEED	56
-	-	-	-	-	-	-	55
-	4	4	4	4	18024-8	SCR, BTN SKT HD CAP (M4 X 12.0)	54
-	2	2	2	2	1-18023-2	SCR, SKT HD CAP M4 X 12.0	53
-	-	-	-	-	18030-1	NUT, HEX, REG M3	52
-	-	-	-	-	811242-5	BUMPER, HOLD DOWN	51
-	-	-	-	-	690753-2	SPACER, TONKER	50
-	-	-	-	-	18024-3	SCR, BTN SKT HD CAP (M3 X 10.0)	49
-	-	-	-	-	1338675-1	CAM, UNIVERSAL PRE FEED	48
-	-	-	-	-	1338676-1	CAM, UNIVERSAL POST-FEED	47
-	-	-	-	-	1320999-3	APPLICATOR SUBASSEMBLY, HDI	46
-	-	-	-	-	690191-1	PLUG, NYLON	45
-	-	-	-	-	1338660-1	RAM	44
-	-	-	-	-	690125-1	SHIM SUB-ASSY	43
-	-	-	-	-	690124-1	WASHER, RAM (.115)	42
-	-	-	-	-	2-18024-6	SCR, BTN SKT HD CAP (M8 X 25.0)	41
-	-	-	-	-	23241-1	BALL, STEEL	40
-	-	-	-	-	2-22278-7	SPRING, COMPRESSION	39
-	-	-	-	-	1320922-1	DISC, ADJUST, INSULATION CRIMP	38
-	-	-	-	-	354777-1	WIRE DISC, ASSEMBLY	37
-	-	-	-	-	22480-5	SPRING, COMPRESSION	36
-	-	-	-	-	690212-1	POST, RAM	35
-	-	-	-	-	1320934-1	SUPPORT, TERMINAL	34
-	2	2	2	2	1-18024-0	SCR, BTN SKT HD CAP (M4 X 20.0)	33
-	-	-	-	-	18027-2	WASHER, FLAT, REG M4	32
-	-	-	-	-	1-18023-2	SCR, SKT HD CAP M4 X 12.0	31
-	-	-	-	-	1320908-4	SPACER, STRIP GUIDE	30
-	-	-	-	-	1633073-1	STRIP GUIDE ASSEMBLY	29
-	-	-	-	-	1-455888-0	SPACER, CRIMPER	28
-	2	2	2	2	1-22284-0	SPRING, COMPRESSION	27
-	-	-	-	-	356835-1	LEVER, DRAG RELEASE	26
-	-	-	-	-	240792-1	DRAG, TERMINAL	25
-	-	-	-	-	1320928-1	PLATE, STRIP GUIDE	24
-	-	-	-	-	980371-4	SCR, SKT HD SHLDR 5.0 DIA X 6.0	23
-	-	-	-	-	690472-2	STRIPPER	22
-	-	-	-	-	1-18023-1	SCR, SKT HD CAP M4 X 10.0	21
-	4	4	4	4	18025-2	WASHER, SPRG LOCK, REG M4	20
-	-	-	-	-	690472-1	STRIPPER	19
-	-	-	-	-	-	-	18
-	-	-	-	-	1338684-1	SHEAR HOLDER, FRONT	17
-	-	-	-	-	-	-	16
-	-	-	-	-	-	-	15
-	-	-	-	-	-	-	14
-	-	-	-	-	-	-	13
-	-	-	-	-	3-22280-3	SPRING, COMPRESSION	12
-	-	-	-	-	356885-4	STOP, SHEAR	11
-	-	-	-	-	1320921-1	SHEAR HOLDER, FRONT, CUT	10
-	-	-	-	-	462006-1	FLOATING SHEAR, FRONT	9
-	1	2	2	2	1633127-1	ANVIL, COMBINATION .042	8
-	-	-	-	-	-	-	7
-	-	-	-	-	-	-	6
-	-	-	-	-	2-455889-0	DEPRESSOR, SHEAR	5
-	-	-	-	-	2-238011-5	BLOCK, CRIMPER SPACER	4
-	1	2	2	2	4-1583690-7	CRIMPER, INSUL O	3
-	-	-	-	-	-	-	2
-	1	2	2	2	456401-3	CRIMPER, WIRE PREMIUM	1



QTY	REV	DATE	BY	CHK	DESCRIPTION	ITEM NO			
-	-	-	-	-	-	84			
-	-	-	-	-	-	83			
-	-	-	-	-	-	82			
-	-	-	-	-	-	81			
-	-	-	-	-	-	80			
-	-	-	-	-	-	79			
-	-	-	-	-	-	78			
-	-	-	-	-	-	77			
-	-	-	-	-	-	76			
-	-	-	-	-	-	75			
-	-	-	-	-	-	74			
-77	-76	-72	-71	-6	-2	-1	PART NO	DESCRIPTION	ITEM NO

THIS DRAWING IS UNPUBLISHED. RELEASED FOR PUBLICATION.

TYCO ELECTRONICS CORPORATION, ALL RIGHTS RESERVED.

LOC: A DIST: 66

DATE: 27SEP2005

BY: E. BACKHURST

NAME: SIDE FEED HDI APPLICATOR

SIZE: A1 CAGE CODE: 00779 DRAWING NO: 1426560

SCALE: 3:5 SHEET: 1 OF 1 REV: B